

STATE OF ILLINOIS
DEPARTMENT OF TRANSPORTATION

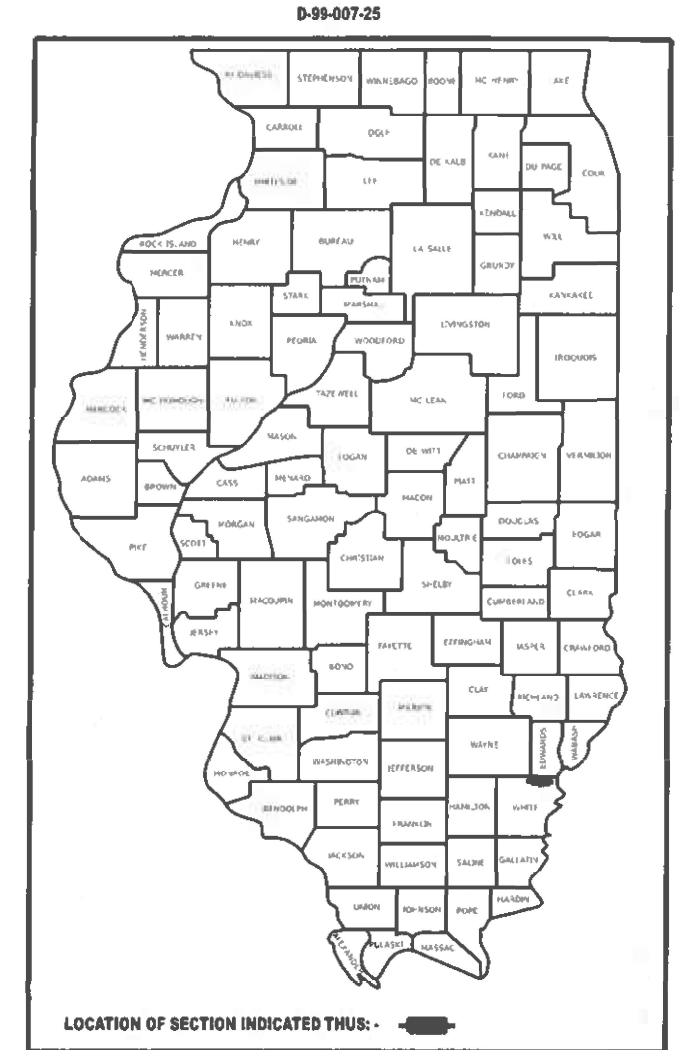
F.A.P. REF.	SECTION	COUNTY	TOTAL SHEETS	SHEET NO.
332	101N-1	WHITE	19	1
		ILLINOIS	CONTRACT NO. 78B01	

FOR INDEX OF SHEETS, SEE SHEET NO. 3
FOR SUMMARY OF QUANTITIES, SEE SHEET NO. 4-6

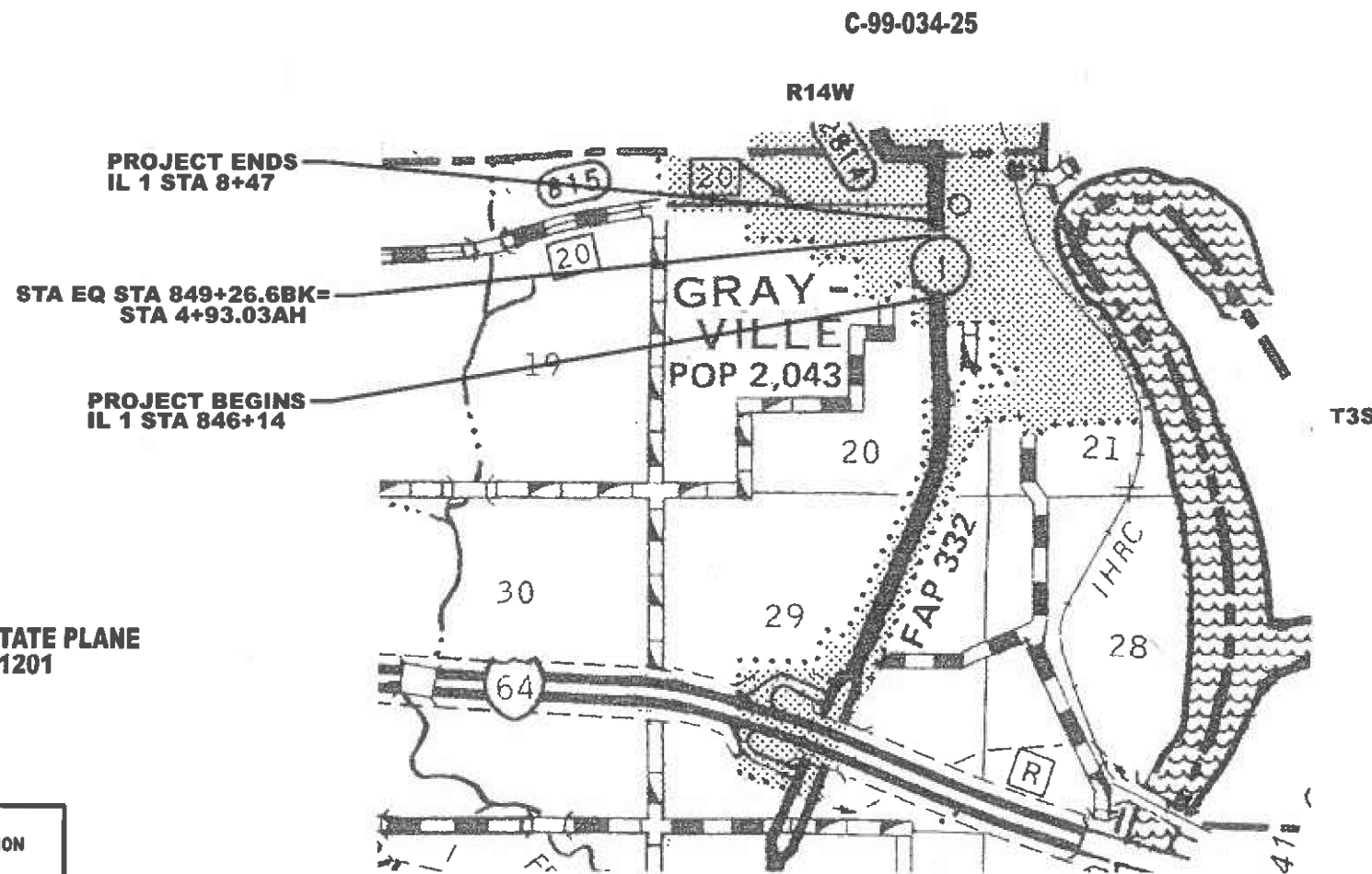
**PROPOSED
HIGHWAY PLANS**

FAP ROUTE 332 (IL 1)
SECTION 101N-1
PROJECT NHPP-DSZA(003)
ADA IMPROVEMENTS/PAVEMENT REPLACEMENT
WHITE COUNTY

TRAFFIC DATA
ADT 7,300 WITH 11.6% TRUCKS(23)



TOWNSHIPS
GRAY



COORDINATE SYSTEM : NADA 1983, STATE PLANE
IL EAST FIPS 1201

POSTED SPEED : 35 MPH

J.U.L.I.E.
JOINT UTILITY LOCATION INFORMATION FOR EXCAVATION
1-800-892-0123
OR 811

PROJECT ENGINEER SEAN GREENLEE
PROJECT DESIGNER CHRIS RUSSELL

CONTRACT NO. 78B01

GROSS LENGTH = 666.57 FT. = 0.13 MILES
NET LENGTH = 666.57 FT. = 0.13 MILES

STATE OF ILLINOIS
DEPARTMENT OF TRANSPORTATION

SUBMITTED Dec 4 2024
Kirk H. Braun
REGION FIVE ENGINEER

January 31 2025
[Signature]
ENGINEER OF DESIGN AND ENVIRONMENT

January 31 2025
[Signature]
DIRECTOR OF HIGHWAYS PROJECT IMPLEMENTATION

**PRINTED BY THE AUTHORITY
OF THE STATE OF ILLINOIS**

MODEL: Default
FILE NAME: c:\work\model\russell\04103432\0578801-STA-Cover_Sys.dgn

USER NAME = christopher.russell	DESIGNED -	REVISED -
	DRAWN -	REVISED -
	CHECKED -	REVISED -
PLOT DATE = 10/31/2024	DATE -	REVISED -

STATE OF ILLINOIS
DEPARTMENT OF TRANSPORTATION

SIGNATURE SHEET

SCALE: SHEET OF SHEETS STA. TO STA.

F.A.P. RTE.	SECTION	COUNTY	TOTAL SHEETS	SHEET NO.
332	101N-1	WHITE	19	2
CONTRACT NO. 78B01				
ILLINOIS FED AID PROJECT				

Prepared By: Susan Pe
DISTRICT STUDIES & PLANS ENGINEER

Examined By: Nancy Lee
DISTRICT LAND ACQUISITION ENGINEER

Examined By: Ami Nelson
DISTRICT PROGRAM DEVELOPMENT ENGINEER

Examined By: Z Cao
DISTRICT OPERATIONS ENGINEER

Examined By: Douglas J. Melnick
DISTRICT PROJECT IMPLEMENTATION ENGINEER

Examined By: Burt Wills
DISTRICT CONSTRUCTION ENGINEER

Examined By: Ann Hays
DISTRICT MATERIALS ENGINEER

HIGHWAY STANDARDS

INDEX OF SHEETS

SHEET NO	DESCRIPTION
1	COVER SHEET
2	SIGNATURE SHEET
3	INDEX OF SHEETS, HIGHWAY STANDARDS, GENERAL NOTES, COMMITMENTS
4-6	SUMMARY OF QUANTITIES
7	TYPICAL SECTIONS: IL 1
8	SCHEDULE OF QUANTITIES
9	TIE POINTS
10	GEOPAK ELEMENTS
11	ADA RAMPS
12-15	JOINTING DETAIL
16	PAVEMENT MARKING
17	REMOVAL
18-19	STAGING

- 000001-08 STANDARD SYMBOLS, ABBREVIATIONS AND PATTERNS
- 001001-02 AREAS OF REINFORCEMENT BARS
- 001006 DECIMAL OF AN INCH AND OF A FOOT
- 420001-10 PAVEMENT JOINTS
- 420101-07 24 FT JOINTED PCC PAVEMENT
- 420111-04 PCC PAVEMENT ROUNDOUTS
- 424001-12 PERPENDICULAR CURB RAMPS FOR SIDEWALKS
- 424021-07 DEPRESSED CORNER FOR SIDEWALKS
- 606001-08 CONCRETE CURB TYPE B & COMBINATION CONCRETE CURB & GUTTER
- 701001-02 OFF-ROAD OPERATIONS, 2L, 2W, MORE THAN 15 FT AWAY
- 701006-05 OFF-ROAD OPERATIONS, 2L, 2W, 15 FT TO 24 IN FROM PAVEMENT EDGE
- 701311-03 LANE CLOSURE, 2L, 2W, MOVING OPERATIONS - DAY ONLY
- 701316-14 LANE CLOSURE, 2L, 2W, BRIDGE REPAIR, FOR SPEEDS 45 MPH OR MORE
- 701501-06 URBAN LANE CLOSURE, 2L, 2W, UNDIVIDED
- 701801-06 SIDEWALK, CORNER OR CROSSWALK CLOSURE
- 701901-10 TRAFFIC CONTROL DEVICES
- 780001-05 TYPICAL PAVEMENT MARKINGS
- 781001-04 TYPICAL APPLICATIONS RAISED REFLECTIVE PAVEMENT MARKERS
- 862001-01 UNINTERRUPTABLE POWER SUPPLY (UPS)
- BLR22-07 TYPICAL APPLICATION OF TRAFFIC CONTROL DEVICES FOR CONSTRUCTION
ON RURAL LOCAL HWYS (2L, 2W RURAL TRAFFIC, ROAD CLOSED TO THRU TRAFFIC)

FACTORS USED FOR ESTIMATING PLAN QUANTITIES ARE AS FOLLOWS AND SHALL NOT BE USED FOR THE BASIS OF FINAL QUANTITIES:

ALL AGGREGATE 2.016 TONS/CU. YD.

AT ALL LOCATIONS WHERE THE PROPOSED CONCRETE PAVEMENT JOINS AN EXISTING HOT MIX ASPHALT OR CONCRETE PAVEMENT, A FULL DEPTH SAWED JOINT SHALL BE CONSTRUCTED. THE COST OF THIS JOINT WILL BE INCLUDED IN THE COST OF THE TYPE OF PAVEMENT BEING CONSTRUCTED.

VIBRATORY ROLLERS WILL NOT BE ALLOWED WITHIN THE CORPORATE LIMITS OF GRAYVILLE

PAYMENT FOR TIEBARS AND DOWEL BARS SHALL BE INCLUDED IN THE COST OF THE PROPOSED PAVEMENT AND/OR COMBINATION CURB AND GUTTER .

COMMITMENTS: NONE

**STATION EQUATION: STA 849+26.6BK =
STA 4+93.03AH**

PAVEMENT CORES - FOR INFORMATION ONLY		
CORE #1	NBL 5' O/S 71' NORTH OF SOUTH STREET	5" HMA - 6.75" PCC
CORE #2	NBL 6" O/S 68' NORTH OF NORTH STREET	2.5" HMA - 6.75" PCC
CORE #3	SBL 6' O/S 33' SOUTH OF MILL STREET	5" HMA - 6.75" PCC
CORE #4	SBL 7' O/S 71' SOUTH OF NORTH STREET	5" HMA - 6.75" PCC
CORE #5	WBL 7' O/S 21' WEST OF IL 1(NORTH STREET WEST)	1.5" HMA - 7.75" PCC
CORE #6	EBL 8' O/S 27' EAST OF IL 1(NORTH STREET EAST)	1" HMA - 7.75 PCC

REV - MS

MODEL: Default
FILE NAME: c:\pwworkspace\trussell\1034328\0978B01-SHB-Index_GenNotes.dgn

USER NAME = christopher.russell	DESIGNED -	REVISED -	STATE OF ILLINOIS DEPARTMENT OF TRANSPORTATION	INDEX OF SHEETS, GENERAL NOTES HIGHWAY STANDARDS, PAVEMENT CORES	F.A.P. RTE. 332	SECTION 101N-1	COUNTY WHITE	TOTAL SHEETS 19	SHEET NO. 3	
	DRAWN -	REVISED -			CONTRACT NO. 78B01					
	CHECKED -	REVISED -			ILLINOIS FED. AID PROJECT					
PLOT DATE = 12/2/2024	DATE -	REVISED -			SCALE:	SHEET OF SHEETS	STA. TO STA.			

SUMMARY OF QUANTITIES

COUNTY:	WHITE CO	WHITE CO
ROUTE:	FAP 332	FAP 332
FUNDING:	80% FEDERAL 20% STATE	80% FEDERAL 20% CITY
LOCATION:	RURAL	RURAL
	ROADWAY	ROADWAY
	0005	0005

CODE NUMBER	ITEM DESCRIPTION	UNIT	TOTAL QUANTITY	ROADWAY 0005	ROADWAY 0005
25000100	SEEDING, CLASS 1	ACRE	0.01	0.01	
25000400	NITROGEN FERTILIZER NUTRIENT	POUND	6	6	
25000500	PHOSPHORUS FERTILIZER NUTRIENT	POUND	6	6	
25000600	POTASSIUM FERTILIZER NUTRIENT	POUND	6	6	
25000700	AGRICULTURAL GROUND LIMESTONE	TON	0.02	0.02	
25100115	MULCH, METHOD 2	ACRE	0.01	0.01	
31100910	SUBBASE GRANULAR MATERIAL, TYPE A 12"	SQ YD	3,105	2,479	626
42000501	PORTLAND CEMENT CONCRETE PAVEMENT 10" (JOINTED)	SQ YD	3,079	2,453	626
42001300	PROTECTIVE COAT	SQ YD	3,079	2,453	626
42400100	PORTLAND CEMENT CONCRETE SIDEWALK 4 INCH	SQ FT	633	633	
42400800	DETECTABLE WARNINGS	SQ FT	85	85	
44000100	PAVEMENT REMOVAL	SQ YD	3,079	2,453	626
44000500	COMBINATION CURB AND GUTTER REMOVAL	FOOT	88	88	
44000600	SIDEWALK REMOVAL	SQ FT	705	705	
44201299	DOWEL BARS, 1 1/2"	EACH	139	139	

MODEL: Default
FILE NAME: c:\pwworkspace\trussell\1034328\0978B01-SHIC-SSO.dgn

REV - MS

USER NAME = christopher.russell	DESIGNED -	REVISED -
	DRAWN -	REVISED -
	CHECKED -	REVISED -
PLOT DATE = 12/11/2023	DATE -	REVISED -

**STATE OF ILLINOIS
DEPARTMENT OF TRANSPORTATION**

SUMMARY OF QUANTITIES

SCALE: SHEET OF SHEETS STA. TO STA.

F.A.P. RTE. 332	SECTION 101N-1	COUNTY WHITE	TOTAL SHEETS 19	SHEET NO. 4	CONTRACT NO, 78B01
ILLINOIS FED. AID PROJECT					

SUMMARY OF QUANTITIES - CONT

COUNTY:	WHITE CO	WHITE CO
ROUTE:	FAP 332	FAP 332
FUNDING:	80% FEDERAL 20% STATE	80% FEDERAL 20% CITY
LOCATION:	RURAL	RURAL
	ROADWAY	ROADWAY
	0005	0005

CODE NUMBER	ITEM DESCRIPTION	UNIT	TOTAL QUANTITY	ROADWAY 0005	ROADWAY 0005
44213204	TIE BARS, 3/4"	EACH	512	512	
56109210	WATER VALVES TO BE ADJUSTED	EACH	1	1	
60255500	MANHOLES TO BE ADJUSTED	EACH	2	2	
60605000	COMBINATION CONCRETE CURB AND GUTTER, TYPE B-6.24	FOOT	88	88	
67000400	ENGINEER'S FIELD OFFICE, TYPE A	CAL MO	2	2	
67100100	MOBILIZATION	L SUM	1	1	
70100100	TRAFFIC CONTROL AND PROTECTION, STANDARD 701316	EACH	1	1	
70102620	TRAFFIC CONTROL AND PROTECTION, STANDARD 701501	L SUM	1	1	
70102640	TRAFFIC CONTROL AND PROTECTION, STANDARD 701801	L SUM	1	1	
70106500	TEMPORARY BRIDGE TRAFFIC SIGNALS	EACH	1	1	
70107025	CHANGEABLE MESSAGE SIGN	CAL DA	28	28	
70300100	SHORT TERM PAVEMENT MARKING	FOOT	67	67	
70300150	SHORT TERM PAVEMENT MARKING REMOVAL	SQ FT	25	25	
70300221	TEMPORARY PAVEMENT MARKING - LINE 4"- PAINT	FOOT	167	167	
70300241	TEMPORARY PAVEMENT MARKING - LINE 6"- PAINT	FOOT	290	290	
70300261	TEMPORARY PAVEMENT MARKING - LINE 12"- PAINT	FOOT	306	306	

MODEL: Default
 FILE NAME: c:\pwworkspace\trussell\1034328\0978B01-SHIC-SSO.dgn

REV - MS

USER NAME = christopher.russell	DESIGNED -	REVISED -
	DRAWN -	REVISED -
	CHECKED -	REVISED -
PLOT DATE = 12/2/2024	DATE -	REVISED -

**STATE OF ILLINOIS
DEPARTMENT OF TRANSPORTATION**

SUMMARY OF QUANTITIES

SCALE: SHEET OF SHEETS STA. TO STA.

F.A.P. RTE.	SECTION	COUNTY	TOTAL SHEETS	SHEET NO.
332	101N-1	WHITE	19	5
CONTRACT NO. 78B01				
ILLINOIS FED. AID PROJECT				

SUMMARY OF QUANTITIES - CONT

COUNTY:	WHITE CO	WHITE CO
ROUTE:	FAP 332	FAP 332
FUNDING:	80% FEDERAL 20% STATE	80% FEDERAL 20% CITY
LOCATION:	RURAL	RURAL
	ROADWAY	ROADWAY
	0005	0005

CODE NUMBER	ITEM DESCRIPTION	UNIT	TOTAL QUANTITY	ROADWAY 0005	ROADWAY 0005
70300281	TEMPORARY PAVEMENT MARKING - LINE 24"- PAINT	FOOT	44	44	
* 78009004	MODIFIED URETHANE PAVEMENT MARKING - LINE 4"	FOOT	167	167	
* 78009006	MODIFIED URETHANE PAVEMENT MARKING - LINE 6"	FOOT	290	290	
* 78009012	MODIFIED URETHANE PAVEMENT MARKING - LINE 12"	FOOT	306	306	
* 78009024	MODIFIED URETHANE PAVEMENT MARKING - LINE 24"	FOOT	44	44	
* 78011025	GROOVING FOR RECESSED PAVEMENT MARKING 5"	FOOT	167	167	
* 78011035	GROOVING FOR RECESSED PAVEMENT MARKING 7"	FOOT	290	290	
* 78011065	GROOVING FOR RECESSED PAVEMENT MARKING 13"	FOOT	306	306	
* 78011125	GROOVING FOR RECESSED PAVEMENT MARKING 25"	FOOT	44	44	
* 78100100	RAISED REFLECTIVE PAVEMENT MARKER	EACH	8	8	
78300201	PAVEMENT MARKING REMOVAL - GRINDING	SQ FT	595	595	
* 86200300	UNINTERRUPTABLE POWER SUPPLY, EXTENDED	EACH	1	1	
X4202010	PROFILE DIAMOND GRINDING CONCRETE PAVEMENT	SQ YD	3,079	3,079	
X7011801	TRAFFIC CONTROL AND PROTECTION, STANDARD BLR 22	L SUM	1	1	

*** SPECIALTY ITEM**

MODEL: Default
FILE NAME: c:\pwworking\dwg\trussell\10343281D078B01-SHIC-SSO.dgn

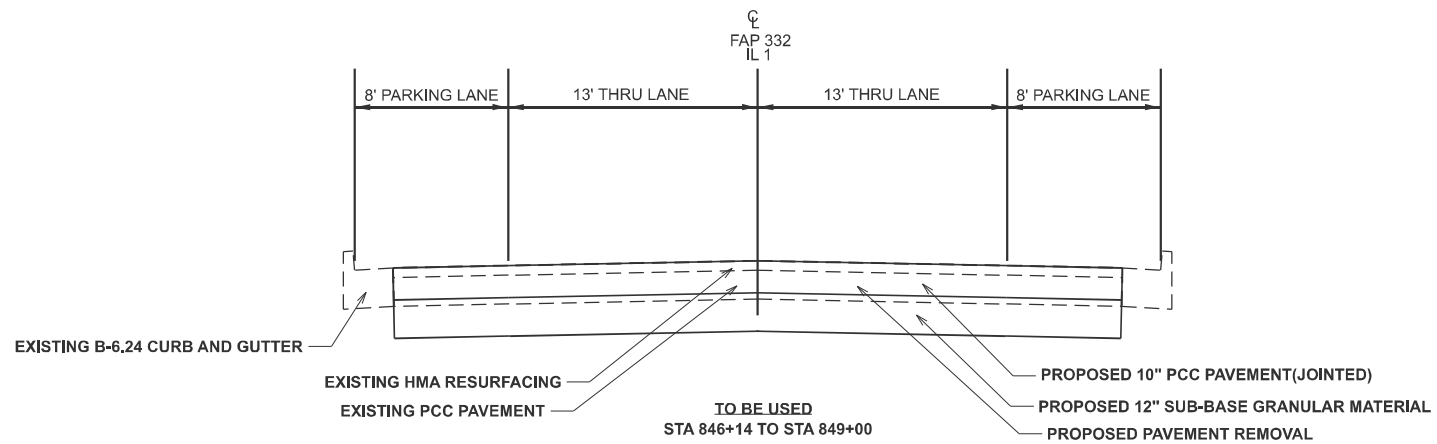
USER NAME = christopher.russell	DESIGNED -	REVISED -
	DRAWN -	REVISED -
	CHECKED -	REVISED -
PLOT DATE = 12/2/2024	DATE -	REVISED -

**STATE OF ILLINOIS
DEPARTMENT OF TRANSPORTATION**

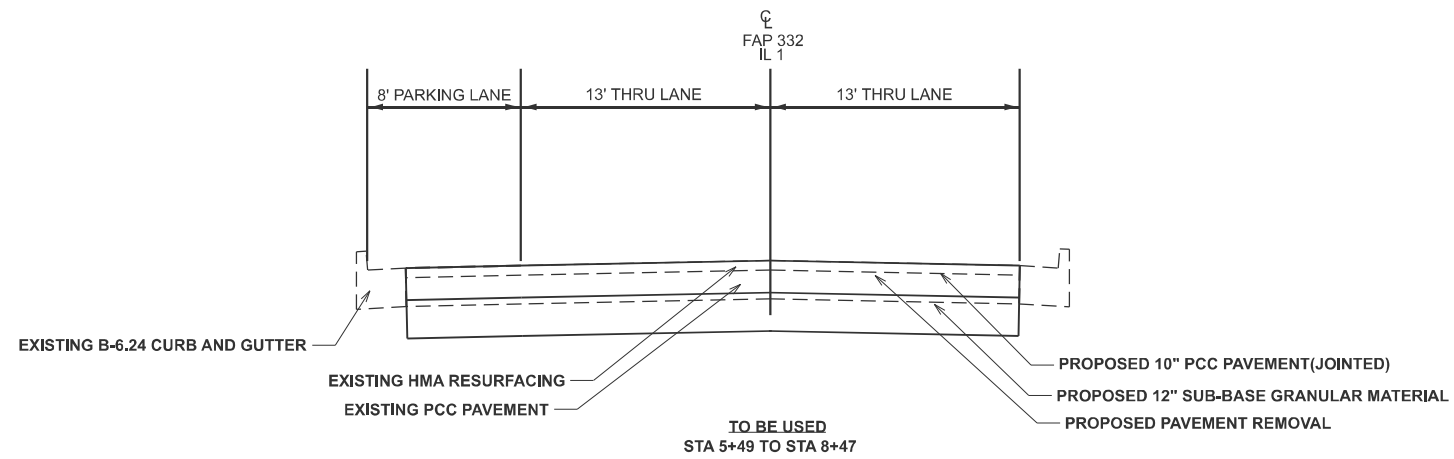
SUMMARY OF QUANTITIES

SCALE: SHEET OF SHEETS STA. TO STA.

F.A.P. RTE. 332	SECTION 101N-1	COUNTY WHITE	TOTAL SHEETS 19	SHEET NO. 6
CONTRACT NO. 78B01				
ILLINOIS FED. AID PROJECT				



STA TION EQUATION: STA 849+26.6BK=
 STA 4+93.03AH



MODEL: Default
 FILE NAME: c:\p\work\pwwork\trussell\cfd1034328\0778B01-SHID-Typicals.dgn

USER NAME = christopher.russell	DESIGNED -	REVISED -
	DRAWN -	REVISED -
	CHECKED -	REVISED -
PLOT DATE = 12/11/2024	DATE -	REVISED -

STATE OF ILLINOIS
DEPARTMENT OF TRANSPORTATION

TYPICALS

SCALE: SHEET OF SHEETS STA. TO STA.

F.A.P. RTE. 332	SECTION 101N-1	COUNTY WHITE	TOTAL SHEETS 19	SHEET NO. 7
CONTRACT NO. 78B01				
ILLINOIS		FED. AID PROJECT		

PCC PAVEMENT SCHEDULE

LOCATION STATION TO STATION	PAVEMENT REMOVAL	SUB-BASE GRANULAR MATERIAL, TYPE A 12"	PCC PAVEMENT, 10" (JOINTED)	TIE BARS, 3/4"	DOWEL BARS, 1/2"	PROTECTIVE COAT	COMMENTS
	SQ YD	SQ YD	SQ YD	EACH	EACH	SQ YD	
IL 1/NORTH BOUND							
STA 846+14 TO STA 849+26.6BK	484	484	484	127	13	484	
STA 4+93.03AH TO STA 8+17	509	509	509			509	
STA 5+60 TO STA 8+47	183	183	183	97	13	183	PARKING LANE
NORTH STREET/EAST							
STA 50+00 TO STA 50+44	168	168	168	27	30	168	
IL 1/SOUTH BOUND							
STA 846+14 TO STA 849+26.6BK	465	465	465	127	20	465	
STA 4+93.03AH TO STA 8+47	508	508	508	97	13	508	
STA 846+14 TO STA 848+94	258	258	258			258	PARKING LANE
STA 5+69.5 TO STA 8+47	185	185	185			185	PARKING LANE
NORTH STREET/WEST							
STA 49+37 TO STA 50+00	319	319	319	37	50	319	
TOTAL	3,079	3,079	3,079	512	139	3,079	

SIDEWALK SCHEDULE

LOCATION STATION TO STATION	DETECTABLE WARNING	PCC SIDEWALK 4"	PCC SIDEWALK REMOVAL	CONCRETE CURB & GUTTER REMOVAL	COMBINATION CONCRETE CURB & GUTTER B 6.24	SUB-BASE GRANULAR MATERIAL, TYPE A 12"	COMMENTS
	SQ FT	SQ FT	SQ FT	SQ FT	FOOT	SQ YD	
IL 1/NORTH STREET							
NW QUADRANT	25	210	250	32	32	9	SEE RAMP DETAIL SHEET 11
NE QUADRANT	15	110	125	16	16	5	SEE RAMP DETAIL SHEET 11
SW QUADRANT	30	188	200	24	24	7	SEE RAMP DETAIL SHEET 11
SE QUADRANT	15	125	130	16	16	5	SEE RAMP DETAIL SHEET 11
TOTALS	85	633	705	88	88	26	

PAVEMENT MARKING SCHEDULE

LOCATION STATION TO STATION	LENGTH	MODIFIED URETHANE				RAISED REFLECTIVE PAVEMENT MARKER	GROOVING FOR RECESSED PAV'T MARKING 5"	GROOVING FOR RECESSED PAV'T MARKING 7"	GROOVING FOR RECESSED PAV'T MARKING 13"	GROOVING FOR RECESSED PAV'T MARKING 25"	COMMENTS
		LINE 4"	LINE 6"	LINE 12"	LINE 24"						
		YELLOW	WHITE	WHITE	WHITE						
	FOOT	FOOT	FOOT	FOOT	FOOT	EACH	FOOT	FOOT	FOOT	FOOT	
IL 1											
STA 846+14 TO STA 849+26.6BK	312.6	78.2				4	78.2				SKIP DASH
STA 4+93.03AH TO STA 8+47	353.97	88.5				4	88.5				SKIP DASH
STA 849+09			100	108				100	108		CROSSWALK
STA 848+97					13				13		STOPBAR
STA 5+45			90	90				90	90		CROSSWALK
STA 5+52					13				13		STOPBAR
NORTH STREET - WEST											
STA 49+65			100	108				100	108		CROSSWALK
STA 49+55					18				18		STOPBAR
SUBTOTALS		167	290	306	44	8	167	290	306	44	

MODEL: Default
FILE NAME: c:\pwworking\christopher.russell\1034328\DD0778B01-Site-Schedule.dwg

USER NAME = christopher.russell	DESIGNED -	REVISED -
	DRAWN -	REVISED -
	CHECKED -	REVISED -
PLOT DATE = 12/11/2024	DATE -	REVISED -

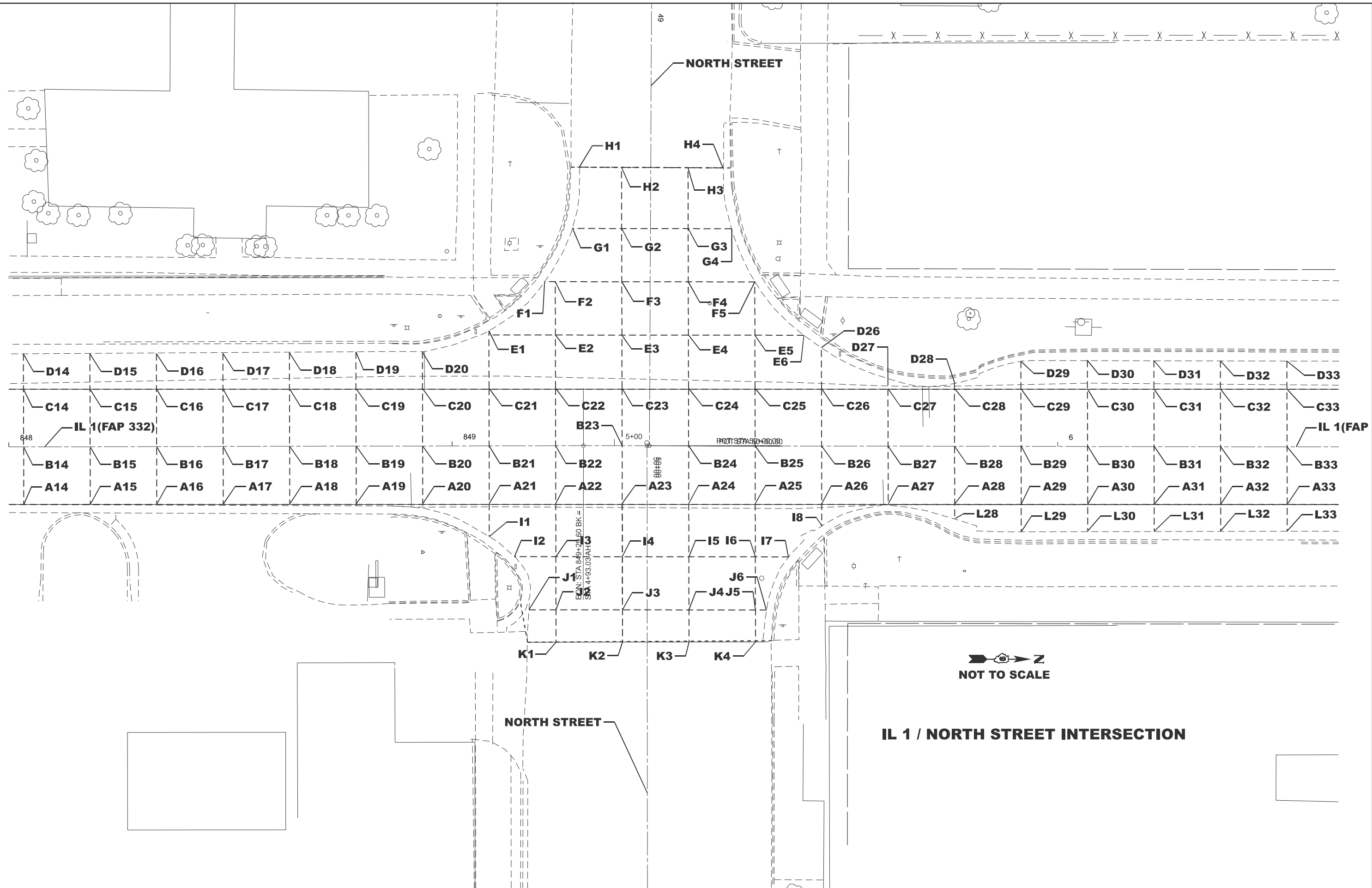
STATE OF ILLINOIS
DEPARTMENT OF TRANSPORTATION

SCHEDULES

SCALE: SHEET OF SHEETS STA. TO STA.

F.A.P. RTE. 332	SECTION 101N-1	COUNTY WHITE	TOTAL SHEETS 19	SHEET NO. 8
CONTRACT NO. 78B01				
ILLINOIS FED. AID PROJECT				

MODEL: IL10_07.dwg (Sheet 5)
 FILE NAME: P:\MIDOT\Documents\DOT Office\District 9\ORD Project\78B01\CADD\Drawings\DOT\78B01-SHT-IntersectionDetails.dwg



STATE OF ILLINOIS
 DEPARTMENT OF TRANSPORTATION

JOINTING DETAIL

USER NAME = christopher.russell	DESIGNED -	REVISED -
PLOT SCALE = \$SCALE\$	DRAWN -	REVISED -
PLOT DATE = 12/11/2024	CHECKED -	REVISED -
	DATE -	REVISED -

SCALE: SHEET OF SHEETS STA. TO STA.

F.A.P. RTE. 332	SECTION 101N-1	COUNTY WHITE	TOTAL SHEETS 19	SHEET NO. 13
CONTRACT NO. 78B01				
ILLINOIS FED. AID PROJECT				

POINT NO.	STA. - NORTH W	OFFSET	ELEV.
E1	49+75.2	36.5' RT	442.91
E2	49+75.2	21.5' RT	443.05
E3	49+75.2	6.5' RT	443.20
E4	49+75.2	8.7' LT	443.20
E5	49+75.2	23.7' LT	443.66
E6	49+75.2	34.7' LT	443.00

POINT NO.	STA. - NORTH W	OFFSET	ELEV.
H1	49+37	16.0' RT	443.40
H2	49+37	6.6' RT	443.67
H3	49+37	8.4' LT	443.54
H4	49+37	18.3' LT	443.28

POINT NO.	STA. - NORTH E	OFFSET	ELEV.
K1	50+44.5	20.6' RT	443.19
K2	50+44.5	5.6' RT	443.50
K3	50+44.5	9.4' LT	443.39
K4	50+44.5	24.5' LT	443.03

POINT NO.	STA. - NORTH W	OFFSET	ELEV.
F1	49+63	23.8' RT	443.01
F2	49+63	21.5' RT	443.09
F3	49+63	6.4' RT	443.40
F4	49+63	8.5' LT	443.36
F5	49+63	23.6' LT	443.12

POINT NO.	STA. - NORTH E	OFFSET	ELEV.
I1	50+20	35.6' RT	442.96
I2	50+25	30.0' RT	442.79
I3	50+25	20.6' RT	442.91
I4	50+25	5.6' RT	443.27
I5	50+25	9.4' LT	443.19
I6	50+25	24.4' LT	442.83
I7	50+25	32.0' LT	442.85
I8	50+18	39.4' LT	442.95

POINT NO.	STA. - IL 1	OFFSET	ELEV.
L28	5+76.8	16.4' LT EOP	442.90
L29	5+91.8	19.0' RT EOP	442.76
L30	6+06.8	19.0' RT EOP	442.73
L31	6+21.8	19.0' RT EOP	442.56
L32	6+36.8	19.0' RT EOP	442.38
L33	6+51.8	19.0' RT EOP	442.2
L34	6+66.8	19.0' RT EOP	442.01
L35	6+81.8	19.0' RT EOP	442.18
L36	6+96.8	19.0' RT EOP	441.63
L37	7+11.8	19.0' RT EOP	441.41
L38	7+26.8	19.0' RT EOP	441.14
L39	7+41.8	19.0' RT EOP	440.86
L40	7+56.8	19.0' RT EOP	440.55
L41	7+71.8	19.0' RT EOP	440.14
L42	7+86.8	19.0' RT EOP	439.73
L43	8+01.8	19.0' RT EOP	439.32
L44	8+16.8	19.0' RT EOP	438.80
L45	8+31.8	19.0' RT EOP	438.25

POINT NO.	STA. - NORTH W	OFFSET	ELEV.
G1	49+51	17.6' RT	443.31
G2	49+51	6.7' RT	443.56
G3	49+51	8.5' LT	443.55
G4	49+51	18.3' LT	443.17

POINT NO.	STA. - NORTH E	OFFSET	ELEV.
J1	50+37	26.7' RT	442.93
J2	50+37	20.6' RT	443.05
J3	50+37	5.6' RT	443.4
J4	50+37	9.5' LT	443.34
J5	50+37	24.5' LT	443
J6	50+37	27.0' LT	442.96

***ALL ELEVATIONS ARE EXISTING

MODEL: P:\P\Stn\Line-4 - Plan - 3 [Sheet].
FILE NAME: P:\P\Stn\Line-4 - Plan - 3 [Sheet].dwg

USER NAME = christopher.russell	DESIGNED -	REVISED -
PLOT SCALE = \$SCALE\$	DRAWN -	REVISED -
PLOT DATE = 12/11/2024	CHECKED -	REVISED -
	DATE -	REVISED -

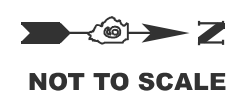
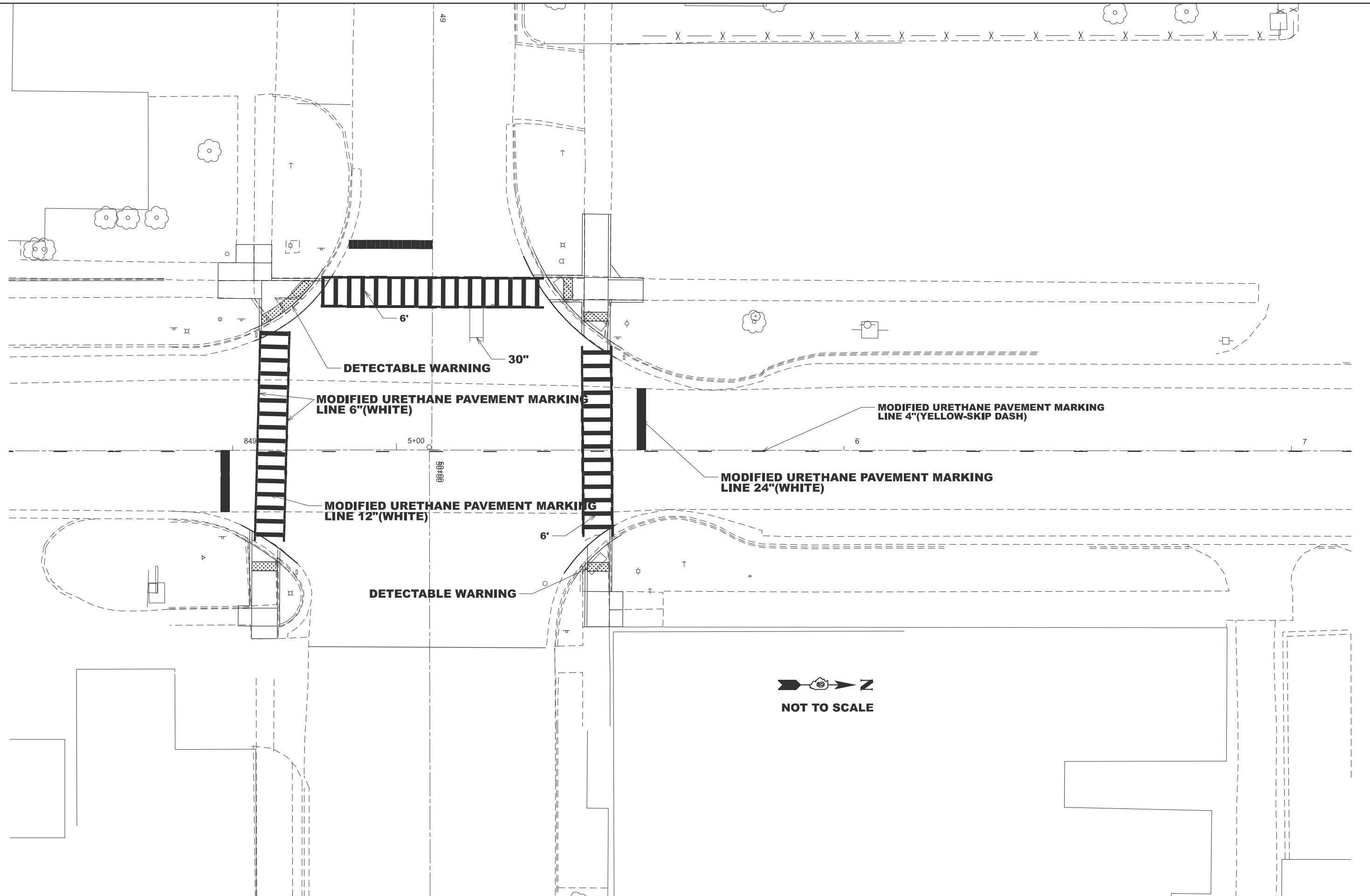
STATE OF ILLINOIS
DEPARTMENT OF TRANSPORTATION

JOINTING DETAIL

SCALE: SHEET OF SHEETS STA. TO STA.

F.A.P. RTE. 332	SECTION 101N-1	COUNTY WHITE	TOTAL SHEETS 19	SHEET NO. 15
CONTRACT NO. 78B01				
ILLINOIS FED. AID PROJECT				

MODEL: ILL - File 0 (Sheet)
 FILE NAME: p:\projects\carter\p1\m101\documents\DOT Office\District 9\ORD Project\78B01\CADDData\CAD\sheet\DOT78B01-Sheet1-Plan.dwg



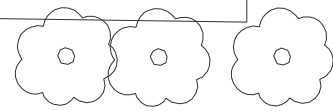
USER NAME = christopher.russell	DESIGNED -	REVISED -
	DRAWN -	REVISED -
PLOT SCALE = \$SCALE\$	CHECKED -	REVISED -
PLOT DATE = 12/11/2024	DATE -	REVISED -

**STATE OF ILLINOIS
 DEPARTMENT OF TRANSPORTATION**

PAVEMENT MARKINGS

SCALE: 1"=10' SHEET LAN 3 OF SHEETS STA. TO STA.

F.A.P. RTE.	SECTION	COUNTY	TOTAL SHEETS	SHEET NO.
332	101N-1	WHITE	19	16
CONTRACT NO. 78B01				
ILLINOIS FED. AID PROJECT				



STA 848+97(IL 1)
34.1' LT

STA 49+54(NORTH ST)
36' RT

STA 49+47(NORTH ST)
33.8' LT

STA 49+56.5(NORTH ST)
20.3' LT

STA 49+60.7(NORTH ST)
22.2' RT

STA A5+55(IL 1)
33.5' LT

STA 849+05(IL 1)
24.5' LT

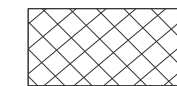
NORTH STREET (WEST)

STA A5+49(IL 1)
20.5' LT

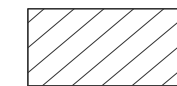
IL 1(FAP 332)

849

5+00



- SIDEWALK REMOVAL



- CURB AND GUTTER REMOVAL

STA 849+02(IL 1)
16.7' RT

NORTH STREET (EAST)

STA A5+49(IL 1)
16.7' RT

NOT TO SCALE

STA 50+25.3(NORTH ST)
25.5' RT

50+00

STA 50+27.6(NORTH ST)
30' LT

STA A5+50.7(IL 1)
31.7' RT

STA 50+39.6(NORTH ST)
34.2' LT

STA 50+42(NORTH ST)
33.7' RT

STATE OF ILLINOIS
DEPARTMENT OF TRANSPORTATION

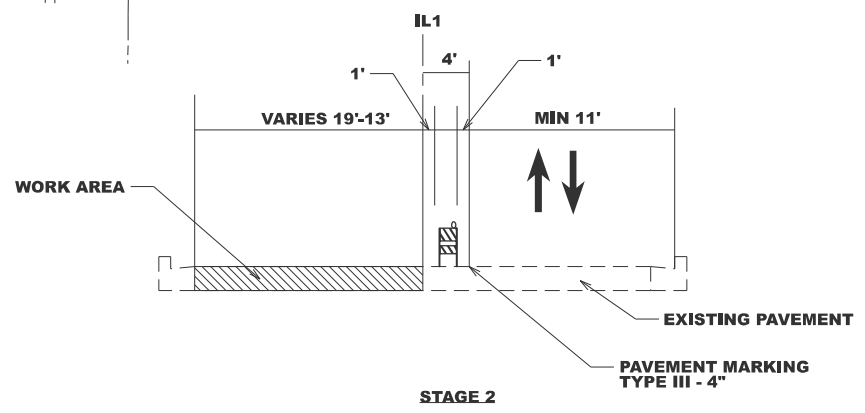
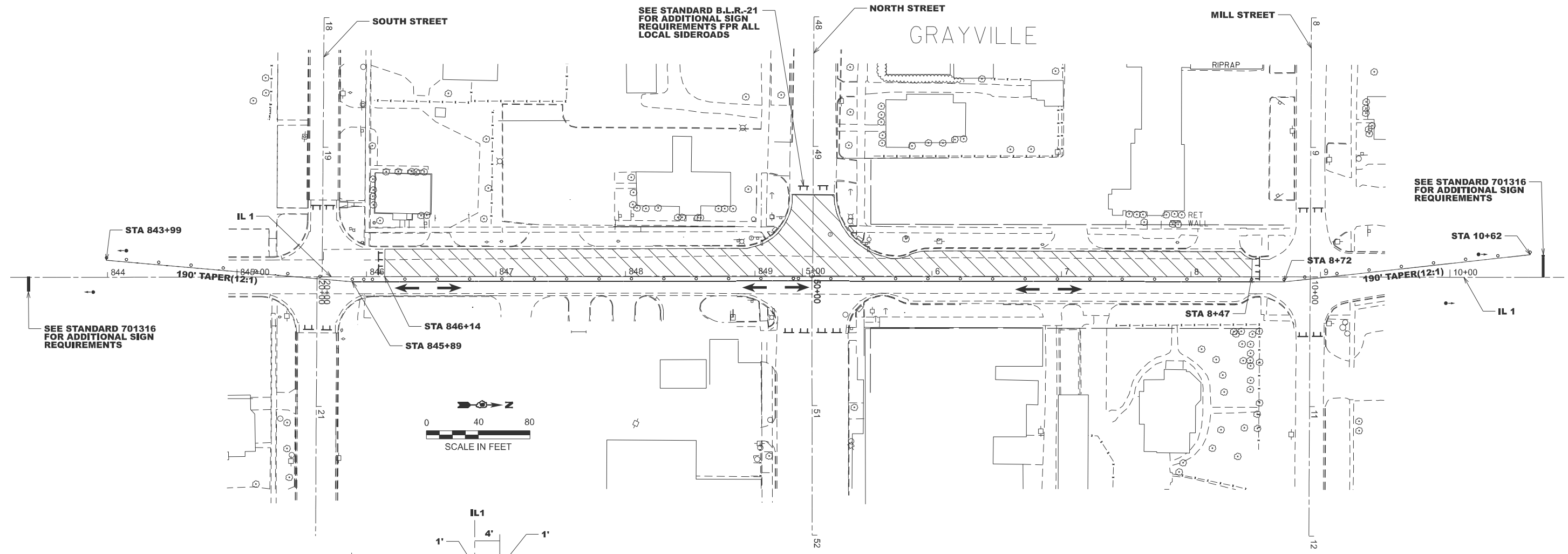
REMOVAL SHEET

SCALE: 1"=5' SHEETPLAN 1 OF SHEETS STA. TO STA.

F.A.P. RTE.	SECTION	COUNTY	TOTAL SHEETS	SHEET NO.
332	101N-1	WHITE	19	17
CONTRACT NO. 78B01				
ILLINOIS FED. AID PROJECT				

MODEL: ILS - Plan 1 (Sheet)
FILE NAME: \\bls01pc01\cadd\p101\DOT\Office\District 9\ORD\Project\78B01\CADD\Plan\849\849-50-Removal.dgn

MODEL: IL1 - Plan 1 (Sheet)
 FILE NAME: P:\Bids\2024\11\11\DOT\Documents\DOT Office\District 9\ORD Project\78801\CADD\DrawCAD\Drawings\DOT\78801-SR-Stage 2.dgn



- STAGE 2**
1. CONTRACTOR TO INSTALL SIGNALS AND ALL OTHER TRAFFIC CONTROL DEVICES AND SIGNAGE TO ESTABLISH ONE LANE TRAFFIC FOR IL 1. TRAFFIC CONTROL WORK SHALL BE PAID FOR AS TRAFFIC CONTROL AND PROTECTION, STANDARD 701316, EACH.
 2. CONTRACTOR TO CONSTRUCT SOUTH BOUND LANE OF IL 1.
 3. LOCAL ROAD CLOSURE SHALL BE IN ACCORDANCE WITH STANDARD B.L.R.-22
 4. ADDITIONAL TRAFFIC CONTROL DEVICES MAY BE NECESSARY AS DIRECTED BY THE ENGINEER.
 5. 10 DAYS WILL BE ALLOWED FOR THIS STAGE

- PAVEMENT REMOVAL
- 12" SUB-BASE GRANULAR MATERIAL
- 10" PCC PAVEMENT(JOINTED)

USER NAME = Christopher,Russell	DESIGNED -	REVISED -
PLOT SCALE = \$\$SCALE\$	DRAWN -	REVISED -
PLOT DATE = 12/13/2024	CHECKED -	REVISED -
	DATE -	REVISED -

**STATE OF ILLINOIS
 DEPARTMENT OF TRANSPORTATION**

STAGE 2	
SCALE: 1"=40'	SHEET 000 OF 4 SHEETS STA. TO STA.

F.A.P. RTE.	SECTION	COUNTY	TOTAL SHEETS	SHEET NO.
332	101N-1	WHITE	19	19
CONTRACT NO. 78801				
ILLINOIS FED. AID PROJECT				