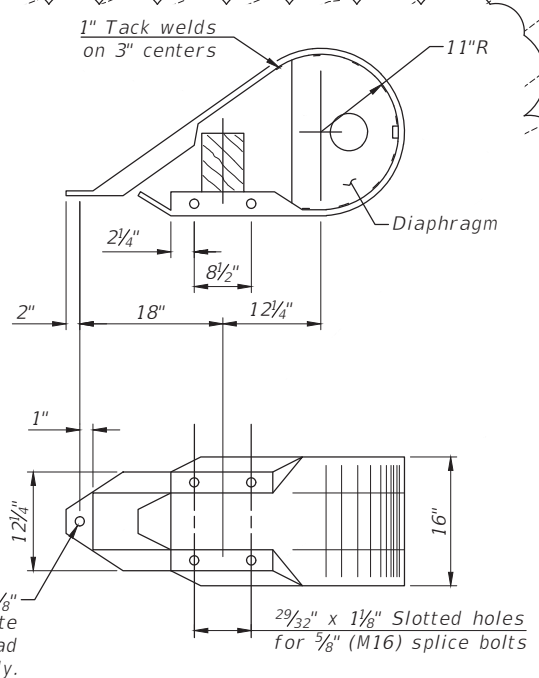
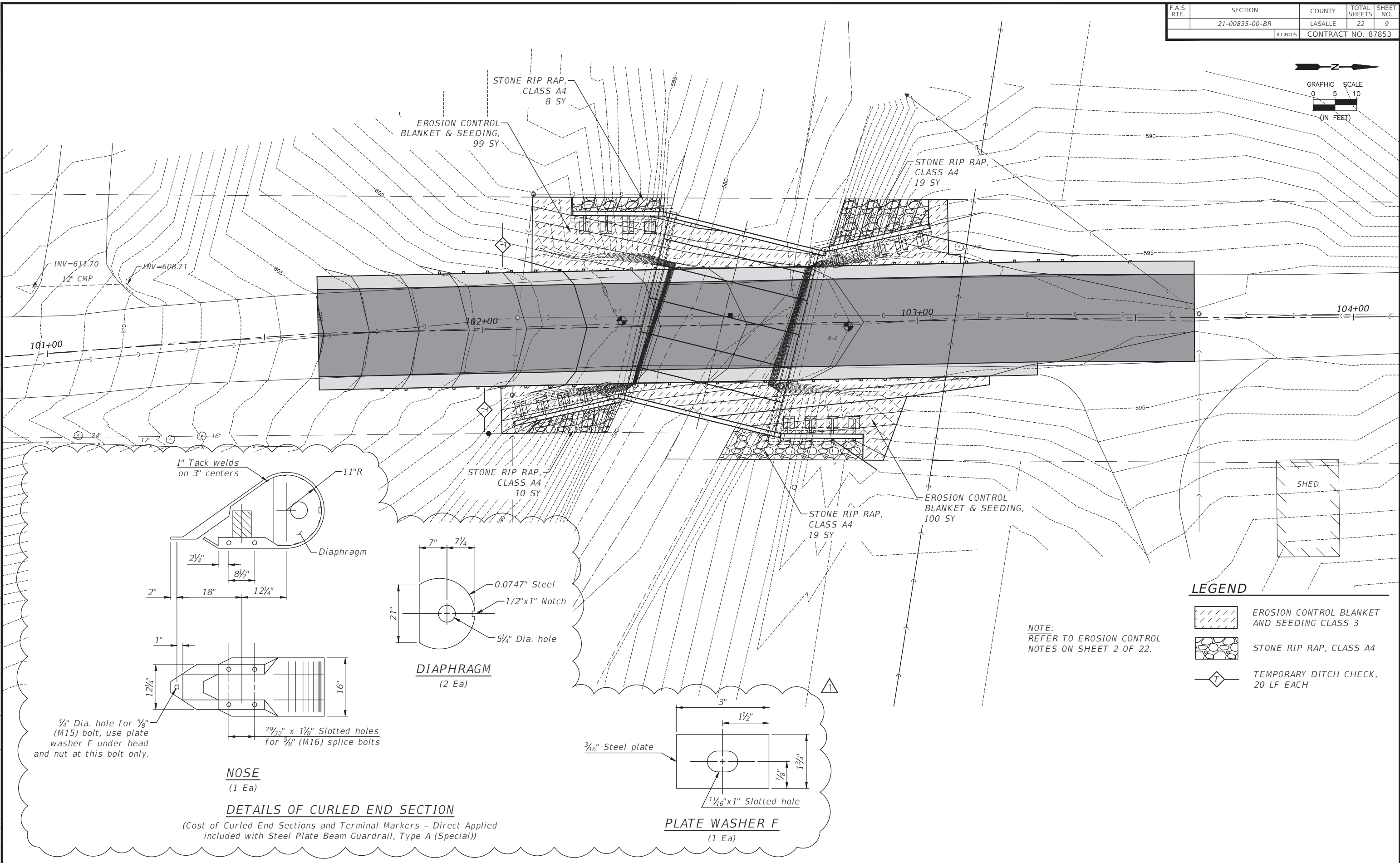
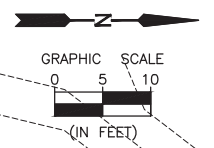


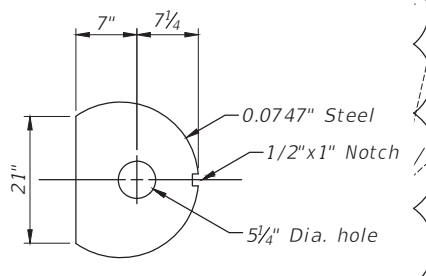
F.A.S. RTE.	SECTION	COUNTY	TOTAL SHEETS	SHEET NO.
	21-00835-00-BR	LASALLE	22	9
		ILLINOIS	CONTRACT NO. 87853	



NOSE
(1 Ea)

DETAILS OF CURLED END SECTION

(Cost of Curled End Sections and Terminal Markers - Direct Applied included with Steel Plate Beam Guardrail, Type A (Special))



DIAPHRAGM
(2 Ea)

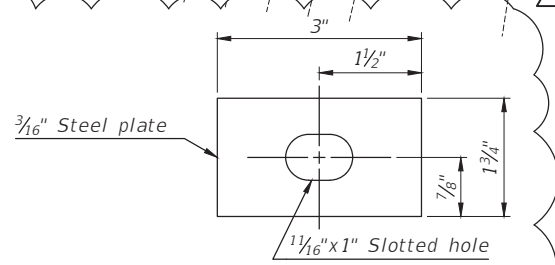


PLATE WASHER F
(1 Ea)

LEGEND

	EROSION CONTROL BLANKET AND SEEDING CLASS 3
	STONE RIP RAP, CLASS A4
	TEMPORARY DITCH CHECK, 20 LF EACH

NOTE:
REFER TO EROSION CONTROL NOTES ON SHEET 2 OF 22.

CHAMLIN & ASSOCIATES, INC. © 2024
 Drawing Name: R:\USERS\1111567\00 - Stretcor Kelly Street Bridge Replacement\CAD\PLANS\09-EROSION.dwg Last Modified: Monday, December 16, 2024 11:25:56 AM Plotted On: Friday, February 7, 2025 1:25:38 PM by Kurt Decker

DRAWN BY: KED	REVISIONS
CHECKED BY: DAH	LEVEL
DATE: 09/2024	BY: DAH
	DATE: 2/7/2025
	DESCRIPTION: REVISED CURLED END SECTION DETAIL

PERU MORRIS
OTTAWA MORTON
ILLINOIS

KELLY STREET BRIDGE REPLACEMENT
SECTION 21-00835-00-BR
LASALLE COUNTY

EROSION CONTROL PLAN

SHEET 1 of 1 SHEETS

BID SET

CURRENT AS OF: 12/16/2024

SCALE: AS NOTED

FILE NO.: 111567.00 Y- OF 22