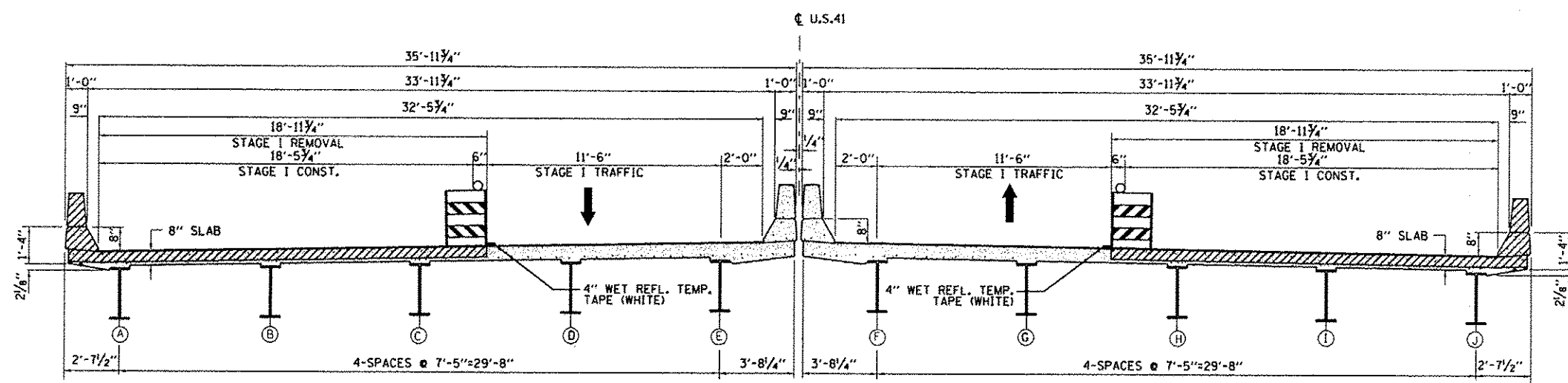
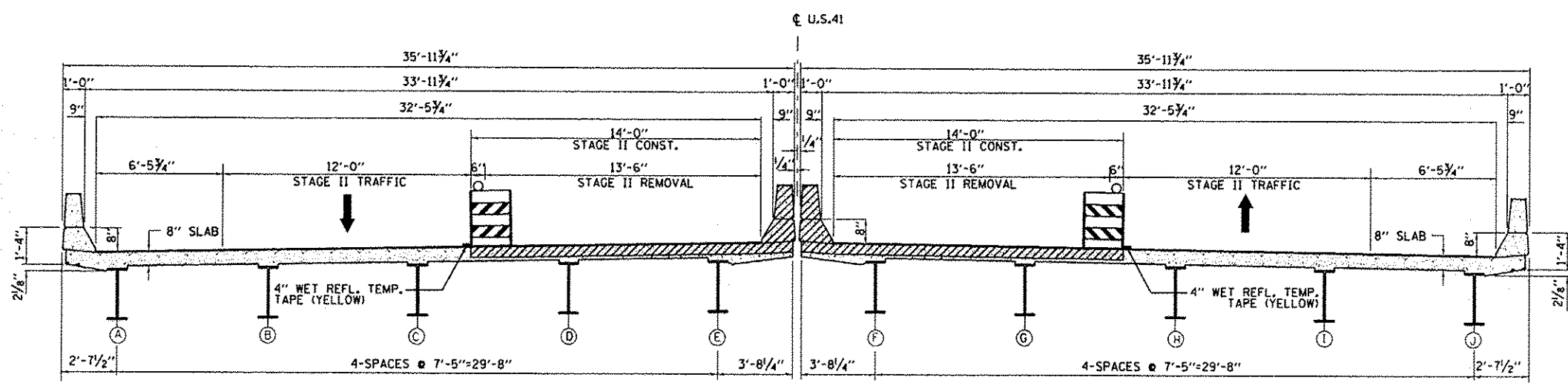


EXISTING CROSS SECTION



STAGE I



STAGE II

LEGEND:
 CONCRETE REMOVAL

FILE NAME =	USER NAME = pyznowski	DESIGNED -	REVISED -	STATE OF ILLINOIS DEPARTMENT OF TRANSPORTATION	U.S. 41 OVER DEERPATH ROAD STAGING CROSS SECTIONS S.N. 049-0033		F.A.P. RTE.	SECTION	COUNTY	TOTAL SHEETS	SHEET NO.		
cr:\pwork\p\eridat\pyznowski\b\0318685\0141412-sht-plan.dgn	PLOT SCALE = 99.9998 / in.	DRAWN -	REVISED -				346	1305-1(12)	LAKE	15	11		
MODEL NAME =	PLOT DATE = 1/28/2013	CHECKED -	REVISED -				SCALE: SHEET OF SHEETS STA. TO STA.		CONTRACT NO. 60T65				
		DATE -	REVISED -				ILLINOIS FED. AID PROJECT						