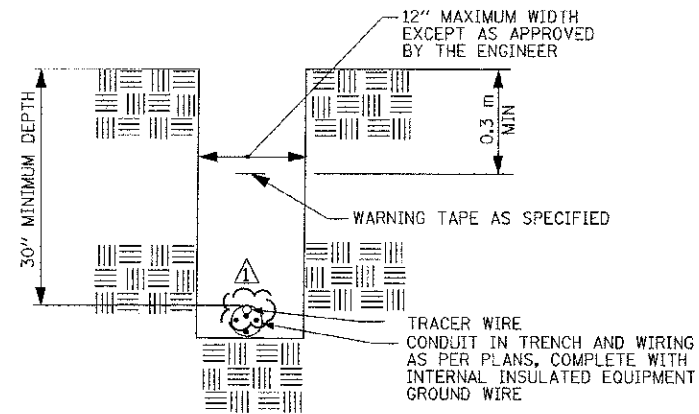
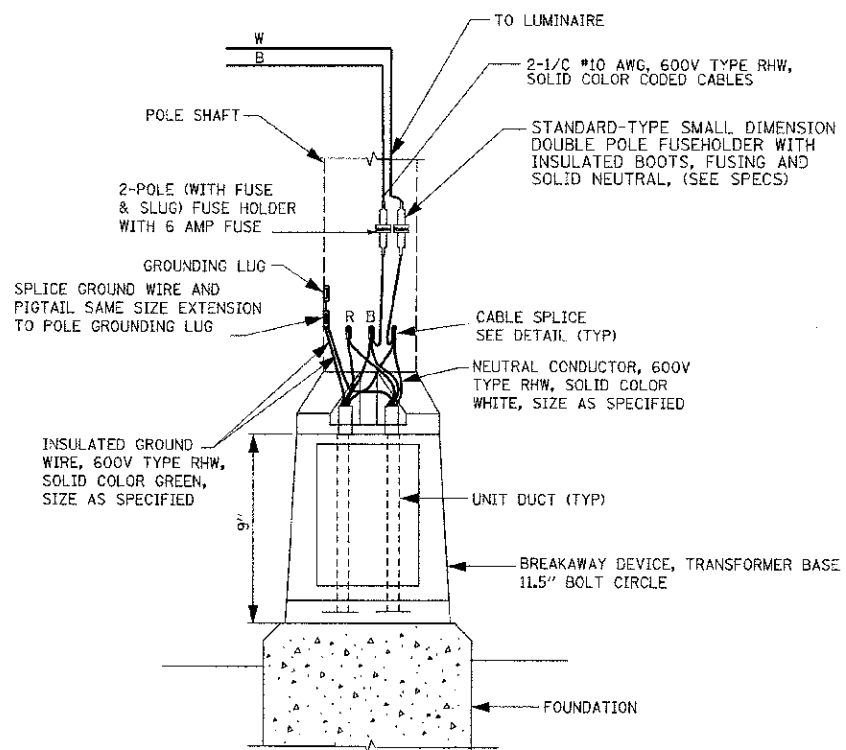


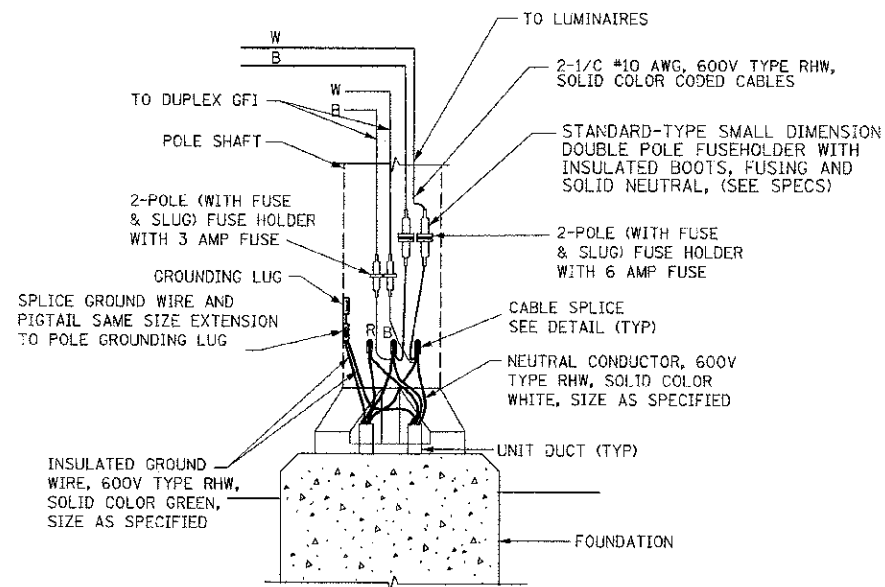
SPlicing DETAIL  
N.T.S.



TYPICAL CONDUIT IN TRENCH DETAIL  
N.T.S.



POLE BASE WIRING DIAGRAM  
SINGLE MAST ARM  
N.T.S.



DECORATIVE POLE BASE WIRING DIAGRAM  
N.T.S.

TRACER CABLE #14 IC SHALL BE INCLUDED IN THE UNIT DUCT AT NO ADDITIONAL COST. TRACER CABLE SHALL BE SPLICED IN POLES (WITH WIRE NUT) AND GROUNDED AT ENDS. TRACER WIRE SHALL BE CONNECTED TO POLE GROUND ONLY IN POLES AT END OF RUNS. IN REMAINING POLES, TRACER WIRE SHALL BE SPLICED AT UPPER HANDHOLE AND ROUTED THROUGH AND INTO LIGHTING CABINET UNGROUNDED.

2/22/2013

RLP-07

COMPANY NAME: HRGreen.com  
PROJECT CONTACT: Illinois Professional Design Firm #184-001322  
DATE PLOTTED: 2/20/2013 3:00:57 PM  
FILE NAME: RLP-07.dgn  
PLOT SCALE: 1"=1'-0"  
PLOT DATE: 2/20/2013



USER NAME = rhood	DESIGNED -	REVISED -
FILE NAME = RLP-07.dgn	DRAWN -	REVISED -
PLOT SCALE =	CHECKED -	REVISED -
PLOT DATE = 2/20/2013	DATE = 2/20/13	REVISED -

MCHENRY COUNTY  
DIVISION OF TRANSPORTATION

LIGHTING PLAN  
MISCELLANEOUS ELECTRICAL DETAILS

SCALE: SHEET NO. 6 OF 13 SHEETS STA. TO STA.

F.A.J. RTE.	SECTION	COUNTY	TOTAL SHEETS	SHEET NO.
168	05-00314-00-WR	MCHENRY	187	114
CONTRACT NO. 63515			ILLINOIS FED. AID PROJECT	