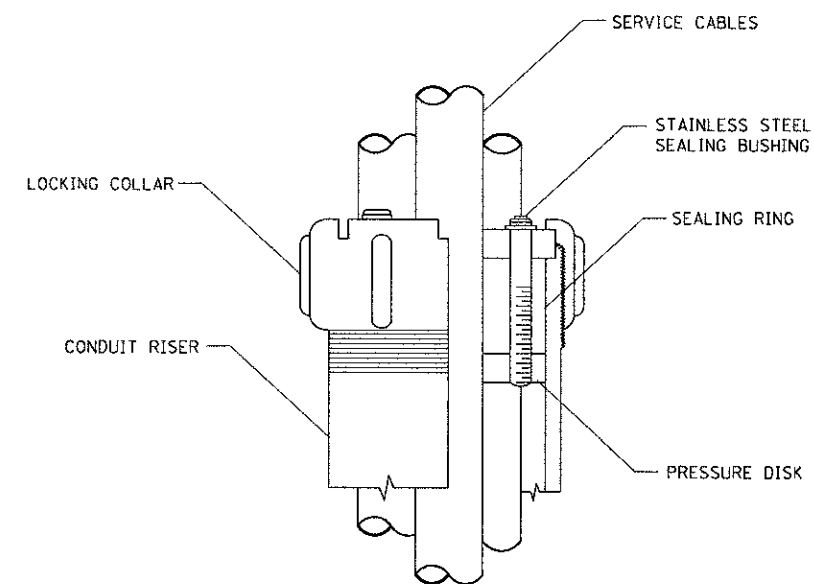


NOTES:

- SERVICE VOLTAGE SHALL BE 120/240V AS INDICATED ON SHEET RLP-03.
- UNLESS OTHERWISE INDICATED, ITEMS AND WORK SHALL BE INCLUDED AND PAID AS PART OF ELECTRIC UTILITY SERVICE INSTALLATION.
- CONDUIT AND CONNECTOR DIAMETER SHALL MATCH THE DIAMETER OF THE SERVICE CONDUCTOR RACEWAY AS INDICATED.
- PVC COATED RACEWAYS AND ACCESSORIES SHALL BE CAREFULLY INSTALLED WITH MFR RECOMMENDED TOOLS AND PROCEDURES TO AVOID DAMAGE. ANY DAMAGE SHALL BE REPAIRED WITH COMPATIBLE PVC TOUCH-UP MATERIAL TO THE SATISFACTION OF THE ENGINEER OR THE DAMAGED MATERIAL SHALL BE REPLACED AT NO ADDITIONAL COST.
- THE CONTRACTOR SHALL OBTAIN INSPECTION AND APPROVAL BY THE ENGINEER OF SERVICE RISER GROUND ELECTRODE, RISER ELBOW, NIPPLE AND CONNECTION TO SERVICE CONDUCTOR RACEWAY EXTENSION BEFORE BACK FILL AND SHALL ALSO OBTAIN INSPECTION OF SERVICE RISER AND SEALING BUSHING BEFORE UTILITY "U" GUARD INSTALLATION AND SERVICE CONNECTION.
- THE SERVICE METER SOCKET, AS APPLICABLE, MOUNTED ELSEWHERE AS INDICATED SHALL BE INCLUDED AND PAID AS PART OF THE ELECTRICAL UTILITY SERVICE INSTALLATION PAY ITEM.
- THE SERVICE CONDUCTOR RACEWAY SHALL BE AS INDICATED AND SHALL BE MEASURED SEPARATELY FOR PAYMENT. WHEN THE RACEWAY IS PVC-COATED RIGID GALVANIZED STEEL, THE COUPLING SHALL BE THE SAME. WHEN THE RACEWAY IS PVC CONDUIT (IN CONCRETE), THE COUPLING SHALL BE A METALLIC TO NON METALLIC ADAPTER. WHEN THE RACEWAY IS ENCASED IN CONCRETE, THE CONCRETE SHALL EXTEND TO COVER THE COUPLING.
- PLANS AND DETAILS INDICATE THE GENERAL NATURE AND REQUIREMENTS. THEY DO NOT SHOW EVERY ACCESSORY AND ATTACHMENT, AND THEY DO NOT RELIEVE THE CONTRACTOR OF THE REQUIREMENTS OF THE SPECIFICATIONS AND SPECIAL PROVISIONS TO ASCERTAIN UTILITY REQUIREMENTS AND TO COORDINATE ACCORDINGLY, FURNISHING ALL ITEMS AND WORK NOT PROVIDED BY THE UTILITY, BUT NECESSARY FOR A COMPLETE SERVICE INSTALLATION IS REQUIRED AND SHALL BE INCLUDED IN THE ELECTRIC UTILITY SERVICE INSTALLATION PAY ITEM.



SEALING BUSHING DETAIL

COMPANY NAME: HRGreen
 PROJECT CONTACT: HRGreen.com
 CLIENT: Illinois Professional Design Firm
 DATE PLOTTED: 12/19/2012 3:16:50 PM
 FILE NAME: RLP-11.dgn
 PLOT DRIVER: pdf2dwp.no.level/ctb1p1g
 PLOT SCALE: 1/8"=1'-0"



USER NAME = jettana	DESIGNED -	REVISED -
FILE NAME = RLP-11.dgn	DRAWN -	REVISED -
PLOT SCALE =	CHECKED -	REVISED -
PLOT DATE = 12/19/2012	DATE - 12/19/12	REVISED -

**MCHENRY COUNTY
 DIVISION OF TRANSPORTATION**

**LIGHTING PLAN
 ELECTRIC SERVICE INSTALLATION ABOVE GROUND (BE-220)**

SCALE: SHEET NO. 10 OF 13 SHEETS STA. TO STA.

F.A.U. RTE. 168	SECTION 05-00314-00-WR	COUNTY MCHENRY	TOTAL SHEETS 187	SHEET NO. 118
FED. ROAD DIST. NO.		ILLINOIS FED. AID PROJECT		CONTRACT NO. 63515