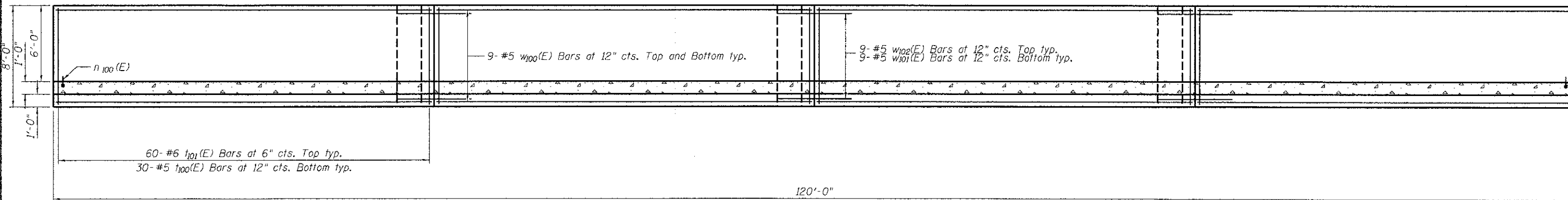
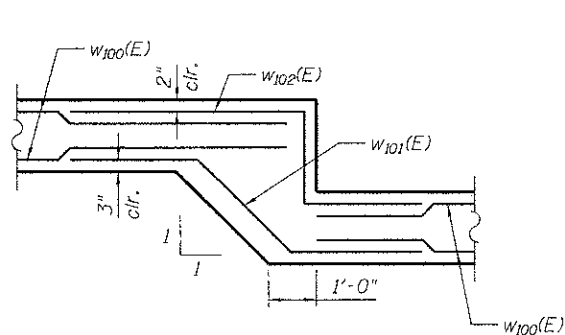


ELEVATION



FOOTING PLAN



STEP DETAIL

FOOTING DETAILS
JOHNSBURG ROAD (FAU ROUTE 0168)
SECTION NO. 05-00314-00-WR
McHENRY COUNTY
STATION 129+45.21 TO STATION 130+65.17

COMPANY NAME: HRGreen.com
 PROJECT CONTACT: jgattens
 CLIENT: HRGreen.com
 DATE PLOTTED: 12/19/2012 3:16:00 PM
 FILE NAME: 05022-01-01A.dgn
 PLOT DRIVER: pdf_dw_mcr_level0.ctb
 PEN TABLE: standard-trans.tbl



USER NAME = jgattens	DESIGNED - JPG	REVISED -
	CHECKED - RCD	REVISED -
PLOT SCALE =	DRAWN - WJH	REVISED -
PLOT DATE = 12/19/2012	CHECKED - 12/19/12	REVISED -

MCHENRY COUNTY
DIVISION OF TRANSPORTATION

SHEET NO. SA-02 OF SA-04 SHEETS

F.A. RTE.	SECTION	COUNTY	TOTAL SHEETS	SHEET NO.
0168	05-00314-00-WR	McHENRY	187	123
			CONTRACT NO. 63515	
			ILLINOIS FED. AID PROJECT #FEDPROJ06	