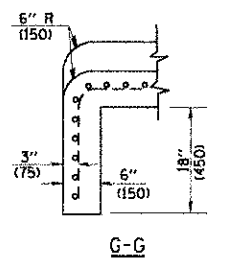
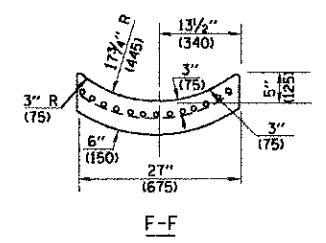
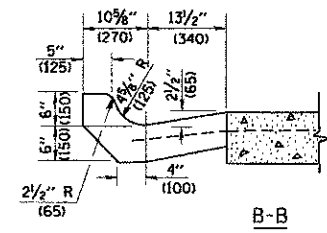
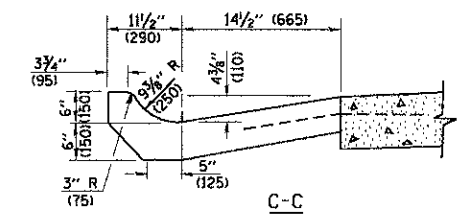
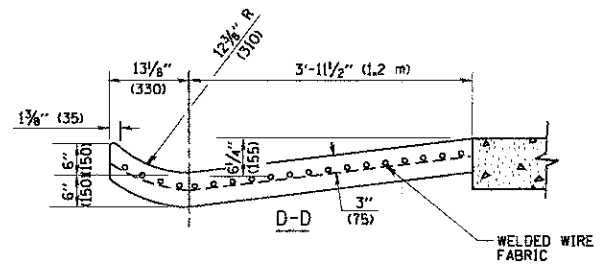
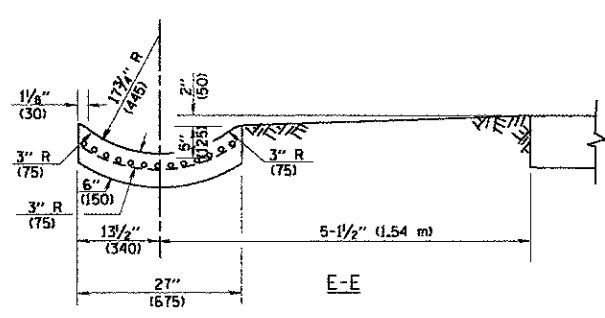


A-A *

* DIMENSIONS OF THE CURB & GUTTER AT SECTION A-A ARE SHOWN ON STATE STANDARD 606001. FOR DETAILS OF OUTLET FOR CONCRETE CURB & GUTTER, TYPE B-6.24 (B-15.60) SEE STATE STANDARD 606006.



GENERAL NOTES

GUTTER OUTLET SHALL BE TIED TO THE PAVEMENT IN ACCORDANCE WITH DETAILS FOR LONGITUDINAL CONSTRUCTION JOINT SHOWN ON STANDARD 420001.

TIE BARS SHALL BE NO. 20 (NO.6) AT 24\"/>

IF THE AVERAGE GRADE OF PAVEMENT FOR THE DISTANCE FROM SECTION A-A TO D-D EXCEEDS 2%, THIS DISTANCE SHALL BE INCREASED 6' (1.8 m) FOR EACH 1% INCREASE IN GRADE.

QUANTITIES

FOR SECTION A-A TO E-E AND CURTAIN WALL =
 1.25 CU. YDS. (0.96 m³) CLASS SI CONCRETE (OUTLET) FOR 9\"/>

ALL DIMENSIONS ARE IN INCHES (MILLIMETERS) UNLESS OTHERWISE SHOWN.

COMPANY NAME: MCHENRY
 PROJECT CONTACT: 12/14/2018 6:33:32 PM
 CLIENT: 080622-df-16.dgn
 FILE NAME: pef_bv_no_bvvelshc1g
 PLOT DRIVER: standard-trans.tbl
 PEN TABLE:

| | | | |
|--|-----------------------------|-----------------------|-----------------------------|
| FILE NAME = W:\dst\std\22x34\bd#3.dgn | USER NAME = gsg1zenobt | DESIGNED - M. DE YONG | REVISED - R. SHAH 09-09-94 |
| | | DRAWN - | REVISED - R. SHAH 10-25-94 |
| | PLOT SCALE = 50.0000' / IN. | CHECKED - | REVISED - E. GOMEZ 12-21-00 |
| | PLOT DATE = 1/4/2008 | DATE - 08-04-86 | REVISED - |

**STATE OF ILLINOIS
 DEPARTMENT OF TRANSPORTATION**

**OUTLET FOR CONCRETE
 CURB AND GUTTER**

SCALE: NONE SHEET NO. 1 OF 1 SHEETS STA. TO STA.

| | | | | |
|---|------------------------|--------------------|------------------|---------------|
| F.A.U. RTE. 168 | SECTION 05-00314-00-WR | COUNTY MCHENRY | TOTAL SHEETS 187 | SHEET NO. 142 |
| BD600-01 (BD-03) | | CONTRACT NO. 63515 | | |
| FED. ROAD DIST. NO. 1 ILLINOIS FED. AID PROJECT | | | | |