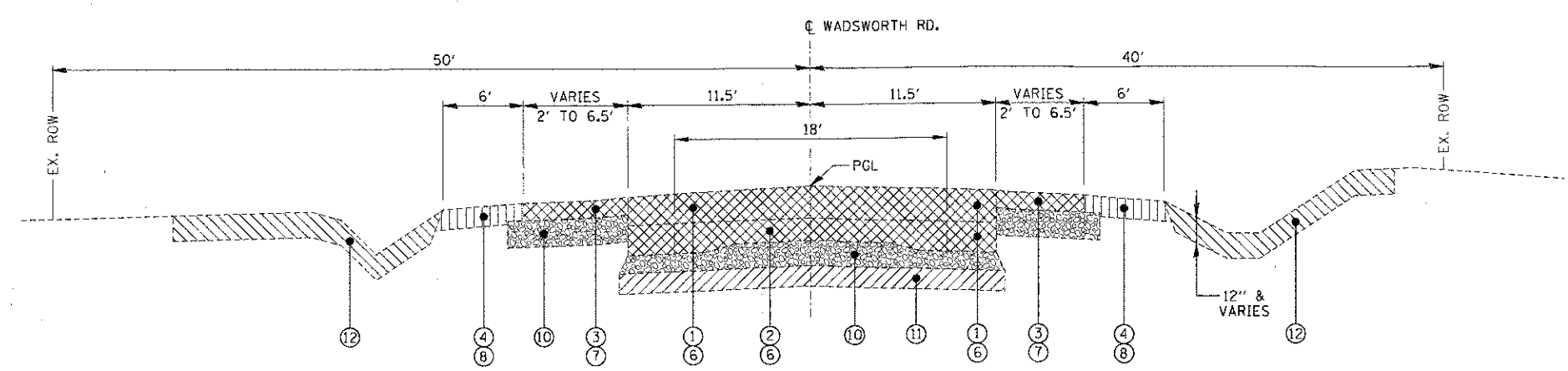


EXISTING TYPICAL SECTION
 STA. 144+49.50 TO STA. 146+50, WADSWORTH ROAD
 STA. 156+10 TO STA. 172+25, WADSWORTH ROAD

EXISTING LEGEND

- ① EXISTING HOT-MIX ASPHALT PAVEMENT
 - ② EXISTING P.C. CONCRETE BASE COURSE
 - ③ EXISTING HOT-MIX ASPHALT SHOULDER
 - ④ EXISTING AGGREGATE OR EARTH SHOULDER
 - ⑤ EXISTING COMBINATION CONCRETE CURB AND GUTTER
 - ⑥ PAVEMENT REMOVAL
 - ⑦ PAVED SHOULDER REMOVAL
 - ⑧ AGGREGATE SHOULDER REMOVAL (PAID FOR AS EARTH EXCAVATION)
 - ⑨ COMBINATION CURB AND GUTTER REMOVAL
 - ⑩ AGGREGATE SUB-BASE REMOVAL (PAID FOR AS EARTH EXCAVATION)
 - ⑪ REMOVAL AND DISPOSAL OF UNSUITABLE MATERIAL (AS DIRECTED BY THE ENGINEER)
 - ⑫ TOPSOIL EXCAVATION (PAID FOR AS REMOVAL AND DISPOSAL OF UNSUITABLE MATERIAL)
- SEE LANDSCAPING PLAN FOR LIMITS



EXISTING TYPICAL SECTION
 STA. 146+50 TO STA. 156+10, WADSWORTH ROAD

*** EXISTING PAVEMENT**
 WADSWORTH ROAD

144+51-162+50: 18' WIDE 9'-6"-9" P.C.C. PAVEMENT WITH 9.7" HMA OVERLAY
 EXISTING WIDENING IS 16.0" THICK HMA
 162+50-195+05: 18' WIDE 9'-6"-9" P.C.C. PAVEMENT WITH 9.4" HMA OVERLAY
 EXISTING WIDENING IS 16.0" THICK HMA

FILE NAME: H:\MCDOT\6422\1\Civil\TYP_042229_01.SHT	DESIGNED	REVISD	STATE OF ILLINOIS DEPARTMENT OF TRANSPORTATION	WADSWORTH ROAD AT GREEN BAY ROAD		F.A.D. RTE.	SECTION	COUNTY	TOTAL SHEETS	SHEET NO.
	DRAWN	REVISD		EXISTING TYPICAL SECTIONS		1209	03-00033-12-CH	LAKE	189	8
PLC. SCALE: 1/2"	CHECKED	REVISD	SCALE: SHEET NO. 07 SHEETS STA. 144+49.50 TO STA. 172+25.00	FED. ROAD DIST. NO. 1 ILLINOIS FED. AID PROJECT		CONTRACT NO. 63766				
PLC. DATE: 11/13/2012	DATE	REVISD								