

NOTES:

TEMPORARY PAVEMENT AND TEMPORARY DRAINAGE ITEMS WILL BE CONSTRUCTED DURING PRE-STAGE. FOR M.O.T., CONTRACTOR SHALL UTILIZE IDOT STANDARDS 701006, 701306, AND 701326.

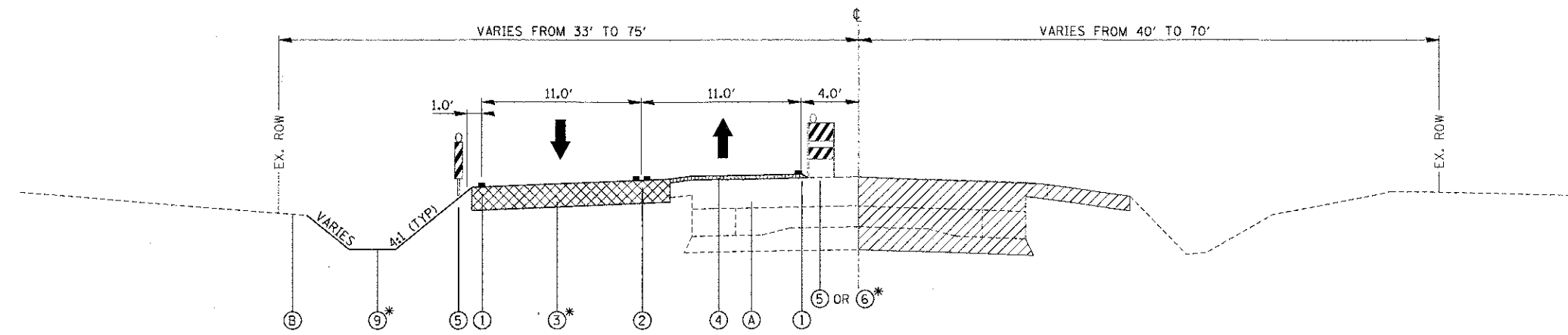
SEE THE M.O.T. STAGE 1 PLAN SHEETS FOR THE LIMITS OF PROPOSED PAVEMENT TO BE BUILT DURING STAGE 1.

SEE THE M.O.T. STAGE 1 PLAN SHEETS FOR LOCATIONS OF TEMPORARY CONCRETE BARRIER.

SUB-STAGES WILL BE NEEDED TO MAINTAIN TRAFFIC PER SUGGESTED MAINTENANCE OF TRAFFIC NOTES AND AS DIRECTED BY ENGINEER. THIS WORK MAY INCLUDE ADDITIONAL TEMPORARY PAVEMENT, TEMPORARY TURN LANE CLOSURES (INTO CLOSED DRIVES), TEMPORARY TRAFFIC SIGNAL HEAD ADJUSTMENTS, TEMPORARY BARRIER WALL, TEMPORARY PAVEMENT MARKINGS, BARRICADES AND SIGNING.

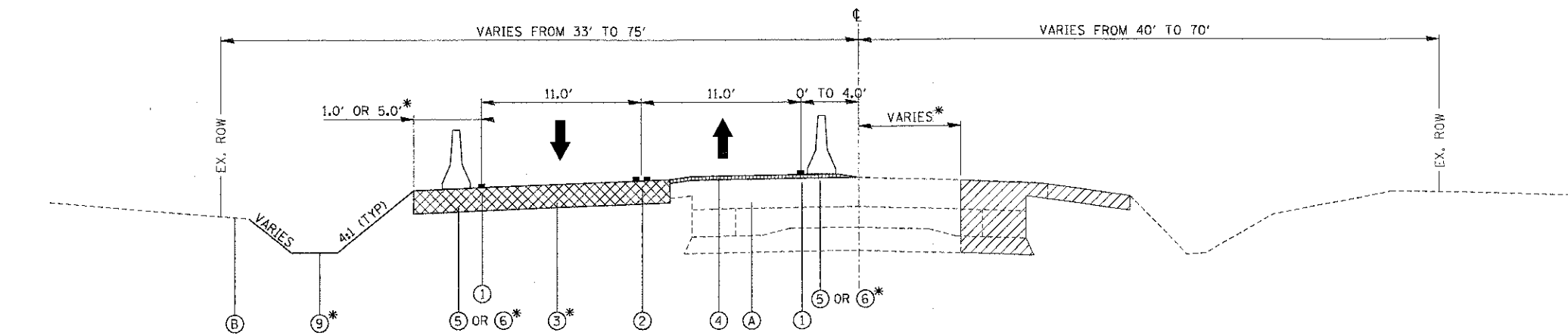
LEGEND

- ① TEMPORARY PAVEMENT MARKING - LINE, WHITE
- ② TEMPORARY PAVEMENT MARKING - LINE, YELLOW
- ③ TEMPORARY PAVEMENT
 - HOT-MIX ASPHALT SURFACE COURSE, MIX "D", N50 (IL-9.5 MM) 1 3/4"
 - HOT-MIX ASPHALT BINDER COURSE, IL-19.0, N50, 6 1/4"
- ④ TEMPORARY HOT-MIX ASPHALT SURFACE
 - HOT-MIX ASPHALT SURFACE COURSE, MIX "D", N50 (IL-9.5 MM), 1 3/4"
- ⑤ TYPE II BARRICADE OR DRUM WITH BI-DIRECTIONAL LIGHT OR VERTICAL PANEL WITH BI-DIRECTIONAL LIGHT
- ⑥ TEMPORARY CONCRETE BARRIER WITH BI-DIRECTIONAL PRISMATIC BARRIER REFLECTORS
- ⑦ PROPOSED ROADWAY
- ⑧ PROPOSED SHOULDER
- ⑨ TEMPORARY DITCH, TEMPORARY EROSION CONTROL SEEDING, EROSION CONTROL BLANKET
- A EXISTING ROADWAY
- B EXISTING GROUND
- ▨ WORK ZONE
- * SEE NOTES



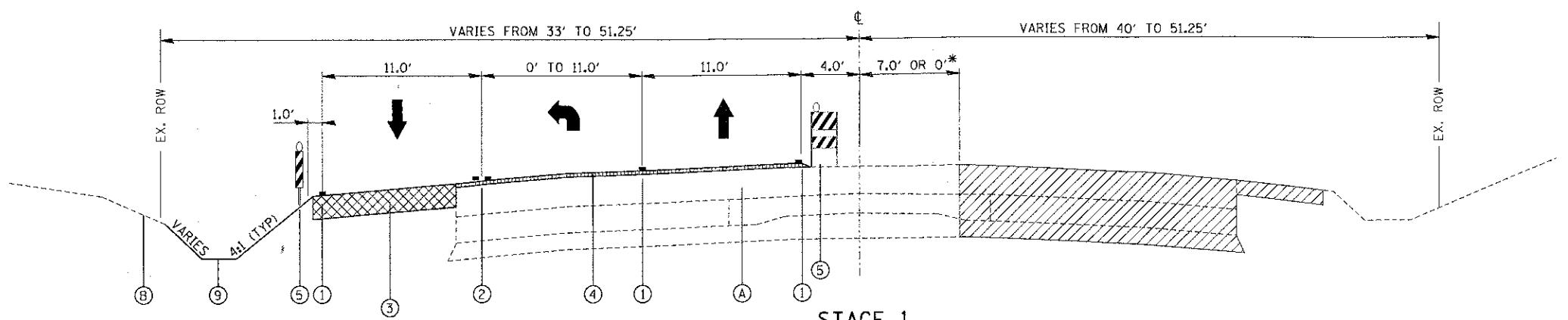
STAGE 1

WADSWORTH ROAD: STA. 144+49.50 TO STA. 148+61
 STA. 157+00 TO STA. 174+64
 GREEN BAY ROAD: STA. 199+91.10 TO STA. 210+41
 STA. 221+87 TO STA. 229+36.29



STAGE 1

WADSWORTH ROAD: STA. 186+21 TO STA. 195+98.95



STAGE 1

WADSWORTH ROAD: STA. 148+61 TO STA. 157+00
 STA. 174+64 TO STA. 186+21
 GREEN BAY ROAD: STA. 210+41 TO STA. 221+87

FILE NAME =	USER NAME = rmorel	DESIGNED -	REVISED -	STATE OF ILLINOIS DEPARTMENT OF TRANSPORTATION	WADSWORTH ROAD AT GREEN BAY ROAD MAINTENANCE OF TRAFFIC TYPICAL SECTIONS - STAGE 1		F.A.U. RTE.	SECTION	COUNTY	TOTAL SHEETS	SHEET NO.
NALC001\0422\IND\11M07.TYP_040225.BLS		DRAWN -	REVISED -		1209	03-00033-12-CH	LAKE	189	46		
PLOT SCALE = 1/8"		CHECKED -	REVISED -		CONTRACT NO. 63766						
PLOT DATE = 11/13/2012		DATE -	REVISED -		SCALE:	SHEET NO. OF SHEETS	STA. TO STA.	FED. ROAD DIST. NO. 1 ILLINOIS FED. AID PROJECT			