

NOTES:

SEE THE M.O.T. STAGE 2.1 PLAN SHEETS FOR THE LIMITS OF PROPOSED PAVEMENT TO BE BUILT DURING STAGE 2.1.

IN ORDER TO ACCOMMODATE TRAFFIC DURING CONSTRUCTION, TEMPORARY PAVEMENT WILL BE PLACED ON THE SOUTH SIDE OF WADSWORTH ROAD AT ALL LOCATIONS WHERE AGGREGATE SHOULDERS ARE PROPOSED. THE TEMPORARY PAVEMENT WILL BE REMOVED, AND THE AGGREGATE SHOULDERS WILL BE BUILT AFTER STAGE 2.2 CONSTRUCTION IS COMPLETE.

IN ORDER TO ACCOMMODATE TRAFFIC DURING CONSTRUCTION, ALL PROPOSED HMA SHOULDERS ON THE SOUTH SIDE OF WADSWORTH ROAD AND ON THE EAST SIDE OF GREEN BAY ROAD SHALL BE 10" THICK.

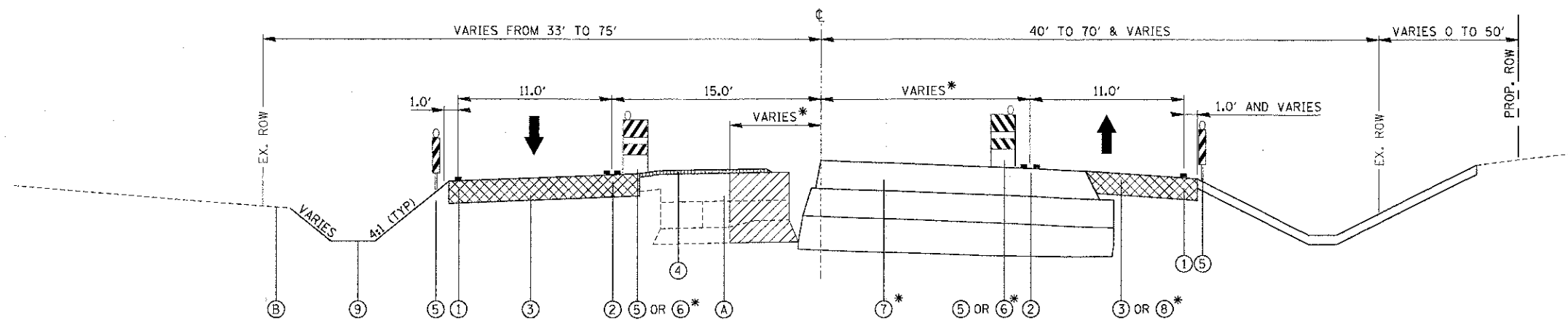
THE PROPOSED SURFACE COURSE SHALL NOT BE PLACED UNTIL THE END OF STAGE 2.2.

SEE THE M.O.T. STAGE 2.1 PLAN SHEETS FOR LOCATIONS OF TEMPORARY CONCRETE BARRIER.

THE PROPOSED CONCRETE MEDIAN, TYPE SB ON THE NORTH LEG OF GREEN BAY ROAD SHALL NOT BE CONSTRUCTED UNTIL THE END OF STAGE 2.2. THE CONTRACTOR SHALL PLACE TEMPORARY PAVEMENT AT THIS LOCATION UNTIL THE PROPOSED MEDIAN CAN BE BUILT.

SUB-STAGES WILL BE NEEDED TO MAINTAIN TRAFFIC PER SUGGESTED MAINTENANCE OF TRAFFIC NOTES AND AS DIRECTED BY ENGINEER. THIS WORK MAY INCLUDE ADDITIONAL TEMPORARY PAVEMENT, TEMPORARY TURN LANE CLOSURES (INTO CLOSED DRIVES), TEMPORARY TRAFFIC SIGNAL HEAD ADJUSTMENTS, TEMPORARY BARRIER WALL, TEMPORARY PAVEMENT MARKINGS, BARRICADES AND SIGNING.

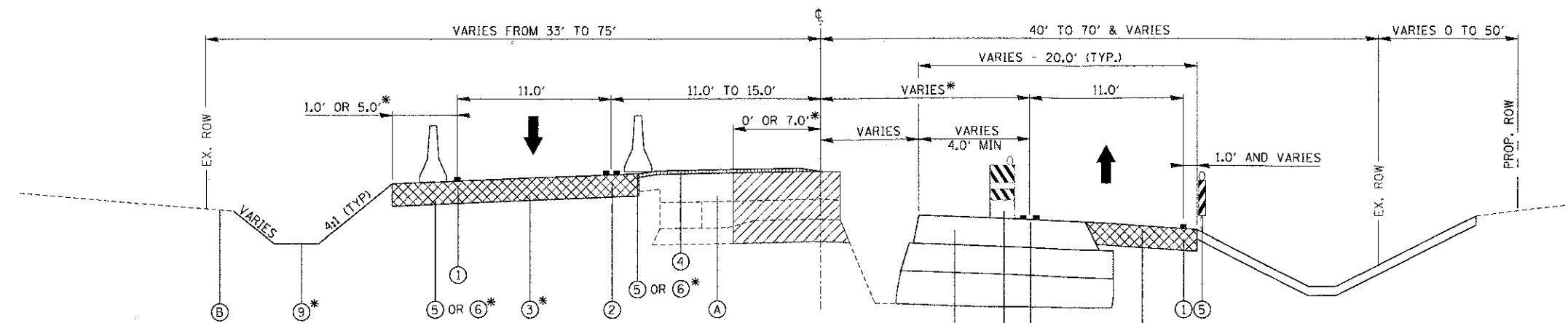
- LEGEND**
- ① TEMPORARY PAVEMENT MARKING - LINE, WHITE
 - ② TEMPORARY PAVEMENT MARKING - LINE, YELLOW
 - ③ TEMPORARY PAVEMENT
 - HOT-MIX ASPHALT SURFACE COURSE, MIX "D", N50 (IL-9.5 MM) 1 3/4"
 - HOT-MIX ASPHALT BINDER COURSE, IL-19.0, N50, 6 1/4"
 - ④ TEMPORARY HOT-MIX ASPHALT SURFACE
 - HOT-MIX ASPHALT SURFACE COURSE, MIX "D", N50 (IL-9.5 MM), 1 3/4"
 - ⑤ TYPE II BARRICADE OR DRUM WITH BI-DIRECTIONAL LIGHT OR VERTICAL PANEL WITH BI-DIRECTIONAL LIGHT
 - ⑥ TEMPORARY CONCRETE BARRIER WITH BI-DIRECTIONAL PRISMATIC BARRIER REFLECTORS
 - ⑦ PROPOSED ROADWAY
 - ⑧ PROPOSED SHOULDER
 - ⑨ TEMPORARY DITCH, TEMPORARY EROSION CONTROL SEEDING, EROSION CONTROL BLANKET
 - A EXISTING ROADWAY
 - B EXISTING GROUND
 - ▨ WORK ZONE
 - * SEE NOTES



STAGE 2.1

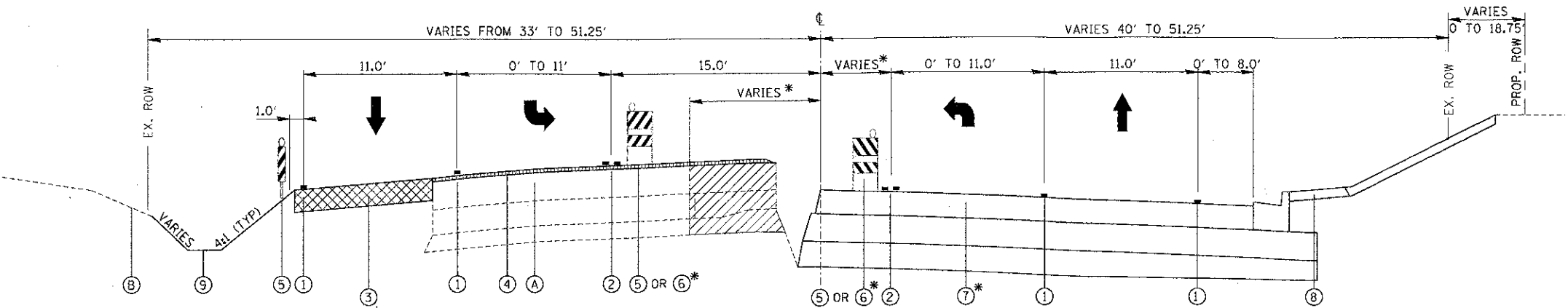
WADSWORTH ROAD: STA. 144+49.50 TO STA. 148+61
STA. 157+00 TO STA. 174+64

GREEN BAY ROAD: STA. 199+91.10 TO STA. 209+51
STA. 222+05 TO STA. 229+36



STAGE 2.1

WADSWORTH ROAD: STA. 186+57 TO STA. 195+98.95



STAGE 2.1

WADSWORTH ROAD: STA. 148+61 TO STA. 157+00
STA. 174+64 TO STA. 186+56

GREEN BAY ROAD: STA. 209+51 TO STA. 222+05