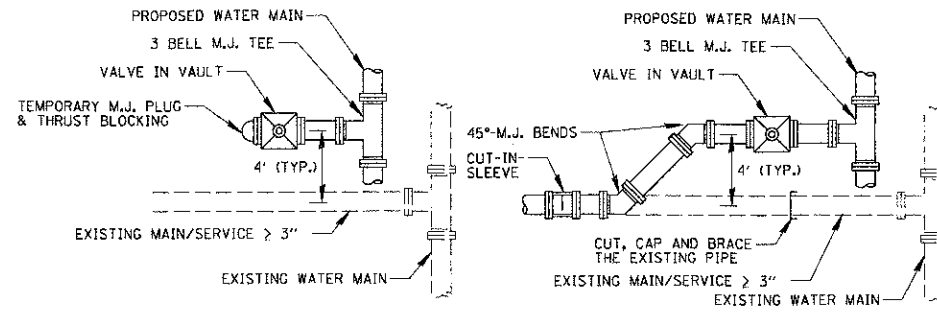


TYPICAL TRENCH DETAIL-PARKWAY
N.T.S.

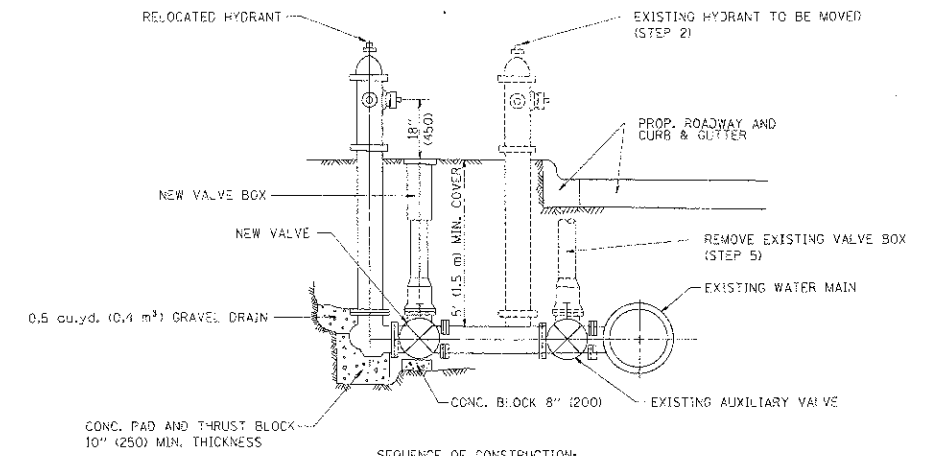


INSTALLATION

- NOTES:
- AFTER THE EXISTING WATER MAIN OR SERVICE IS CUT AT THE NOTED LOCATION, CONTRACTOR SHALL DETERMINE THE DISTANCE TO THE NEXT JOINT WITH A FEELER ROD. IF THE DISTANCE IS SIX (6) FEET OR MORE, THAN COMPLETE THE CONNECTION IF THAT DISTANCE IS LESS THAN SIX (6) FEET, EXTEND THE NEW PIPE AND CONNECT.
 - AFTER THE NEW WATER MAIN IS APPROVED, CUT, CAP AND BRACE THE EXISTING MAIN SERVICE, REMOVE TEMPORARY PLUG AND CONNECT MAIN SERVICE TO THE VALVE. SWAB THE NEW PIPE WITH 1% HTH CHLORINE SOLUTION DURING THE INSTALLATION.
 - MEGALUGS TO BE USED WITH ALL M.J. FITTINGS.

WATER MAIN/SERVICE INSTALLATION AND RECONNECTION

N.T.S.

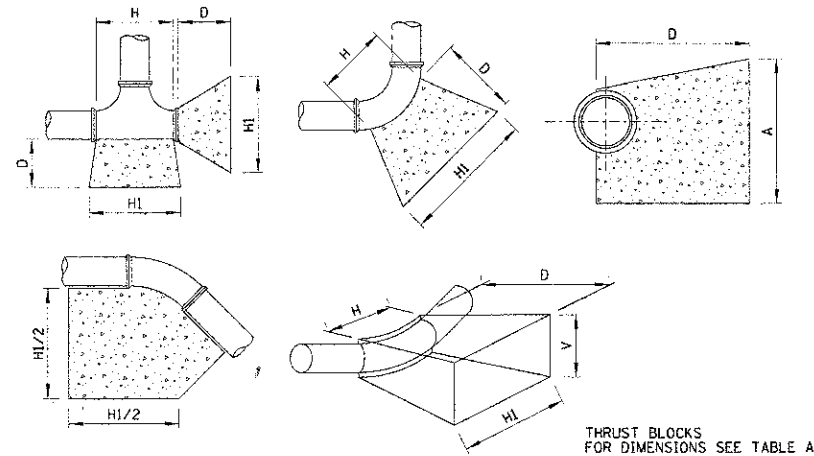


- SEQUENCE OF CONSTRUCTION:
- CLOSE EXISTING VALVE.
 - REMOVE EXISTING HYDRANT.
 - INSTALL HYDRANT EXTENSION AND NEW VALVE.
 - RELOCATE EXISTING HYDRANT.
 - OPEN EXISTING VALVE, REMOVE BOX.
 - BACKFILL.
 - FLUSH AND TEST FOR CHLORIDE RESIDUAL AND PROVIDE TEST.

ALL WORK TO BE DONE IN ACCORDANCE WITH ARTICLE 564 OF THE STANDARD SPECIFICATIONS, NEW VALVE AND BOX SHALL BE SAME MAKE AND MODEL AS EXISTING.

FIRE HYDRANT TO BE MOVED

ALL DIMENSIONS ARE IN INCHES (MILLIMETERS) UNLESS NOTED OTHERWISE.

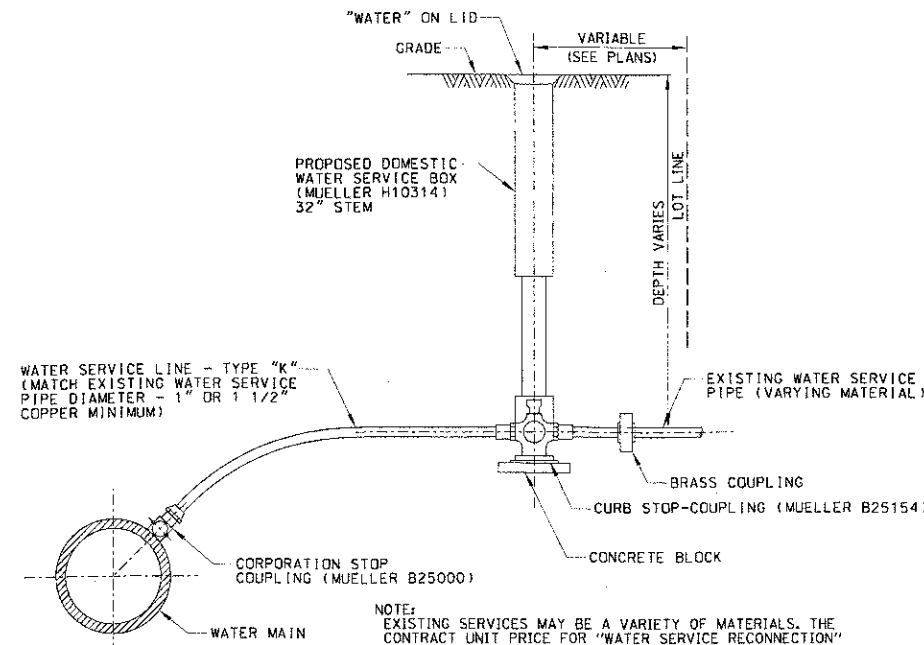


SIZE OF PIPE	TAPPING TEES, SLEEVES AND PLUGS				90° BENDS				45° BENDS OR LESS						
	HI	H	V	D	C. FT.	HI	H	V	D	C. FT.	HI	H	V	D	C. FT.
12"	54"	30"	24"	24"	13.40	54"	32"	36"	36"	18.15	42"	18"	24"	24"	9.60
8"	36"	18"	18"	18"	5.05	39"	18"	24"	18"	7.50	30"	11"	18"	18"	3.95
6"	24"	16"	18"	18"	3.50	30"	16"	18"	18"	4.05	24"	10"	16"	18"	3.20
4"	20"	13"	15"	15"	2.15	24"	12"	13"	13"	1.75	20"	8"	12"	12"	1.20

WATER MAIN THRUST BLOCKING - TABLE A

N.T.S.

NOTE: THRUST BLOCKING TO BE INSTALLED AT ALL HORIZONTAL AND VERTICAL BENDS, CAPS, VALVES, HYDRANTS AND AT LOCATIONS DIRECTED BY ENGINEER. THRUST BLOCK TO BE READY MIXED PORTLAND CEMENT CONCRETE, PLACED BETWEEN SOLID GROUND AND FITTING, AND SHALL BE ANCHORED IN SUCH A MANNER THAT PIPE AND FITTING WILL BE ACCESSIBLE FOR REPAIR. ALL ENDS OF 1 1/4" OR MORE, ALL TEES AND ALL PLUGS SHALL BE PROTECTED AS SHOWN, WHERE CONDITIONS PREVENT THE USE OF CONCRETE THRUST BLOCKS, RESTRAINED JOINTS OF A TYPE APPROVED BY THE ENGINEER MAY BE USED.



NOTE: EXISTING SERVICES MAY BE A VARIETY OF MATERIALS. THE CONTRACT UNIT PRICE FOR "WATER SERVICE RECONNECTION" SHALL INCLUDE ALL FITTINGS, LABOR, MATERIAL AND EQUIPMENT NECESSARY TO CONNECT EXISTING SERVICES TO THE PROPOSED WATER MAIN. SEE SPECIAL PROVISIONS. CONTRACTOR TO VERIFY EXACT LOCATION AND NUMBER OF SERVICE CONNECTIONS. LOCATION INDICATED ON THE PLANS MAY BE APPROXIMATE.

TYPICAL WATER SERVICE CONNECTION

N.T.S.