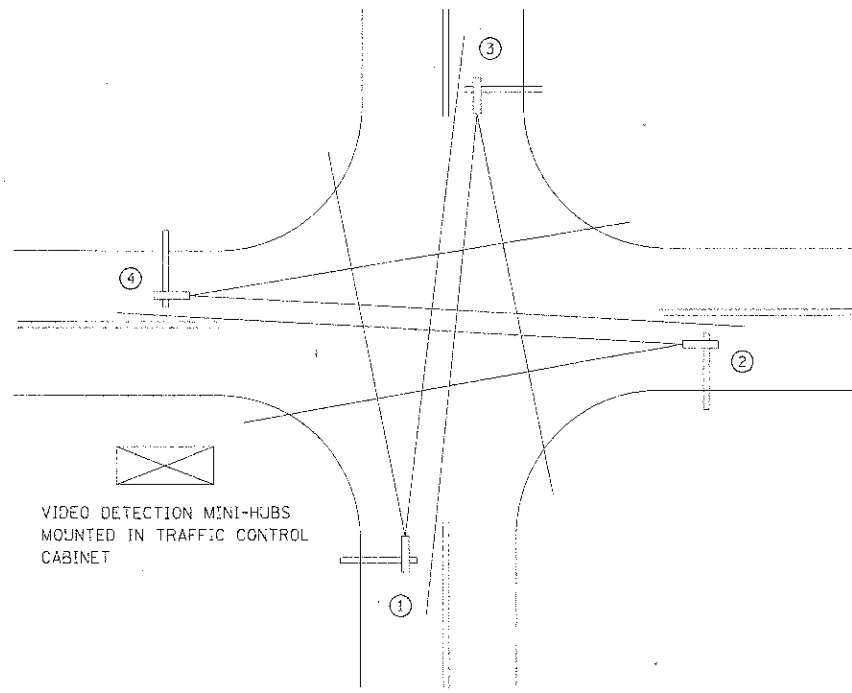
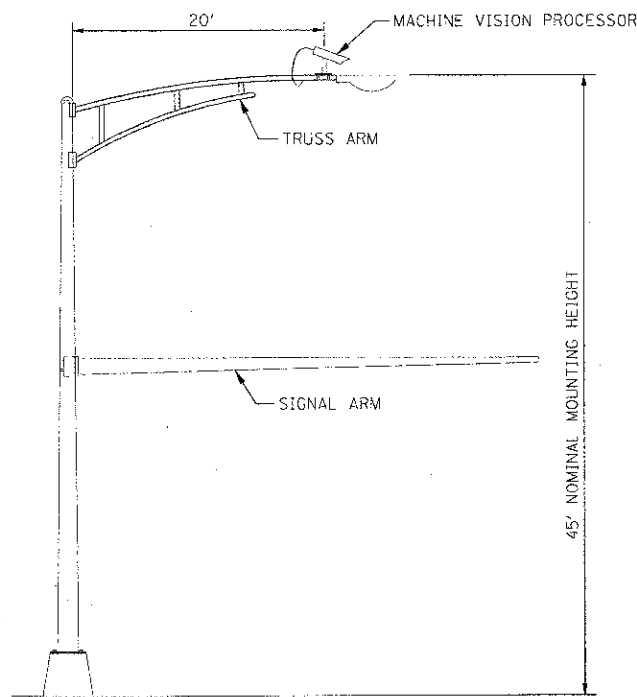


PROJECT: SURVEYOR: DATE: BY: DATE:
 CLIENT: CHRYSLER: PROJECT NO.: 03-00033-12-CH
 DRAWN BY: J. HIGGINS: DATE: 11/13/2012
 CHECKED BY: J. HIGGINS: DATE: 11/13/2012
 DESIGNED BY: J. HIGGINS: DATE: 11/13/2012
 PLOTTED BY: J. HIGGINS: DATE: 11/13/2012
 CONTRACT NO.: 63766



TYPICAL VIDEO VEHICLE DETECTION SYSTEM (NOT TO SCALE)

(4) MACHINE VISION PROCESSOR ASSEMBLIES AND BRACKETS
 POWER CABLE TO EACH MACHINE VISION PROCESSOR (24 VAC)



COMBINATION MAST ARM ASSEMBLY AND POLE DIMENSIONS (NOT TO SCALE)

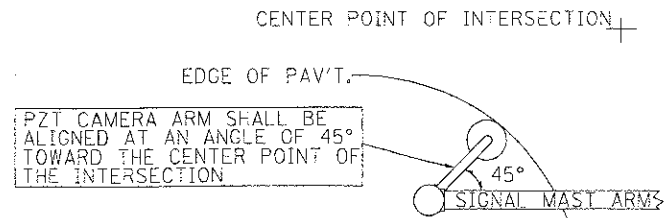
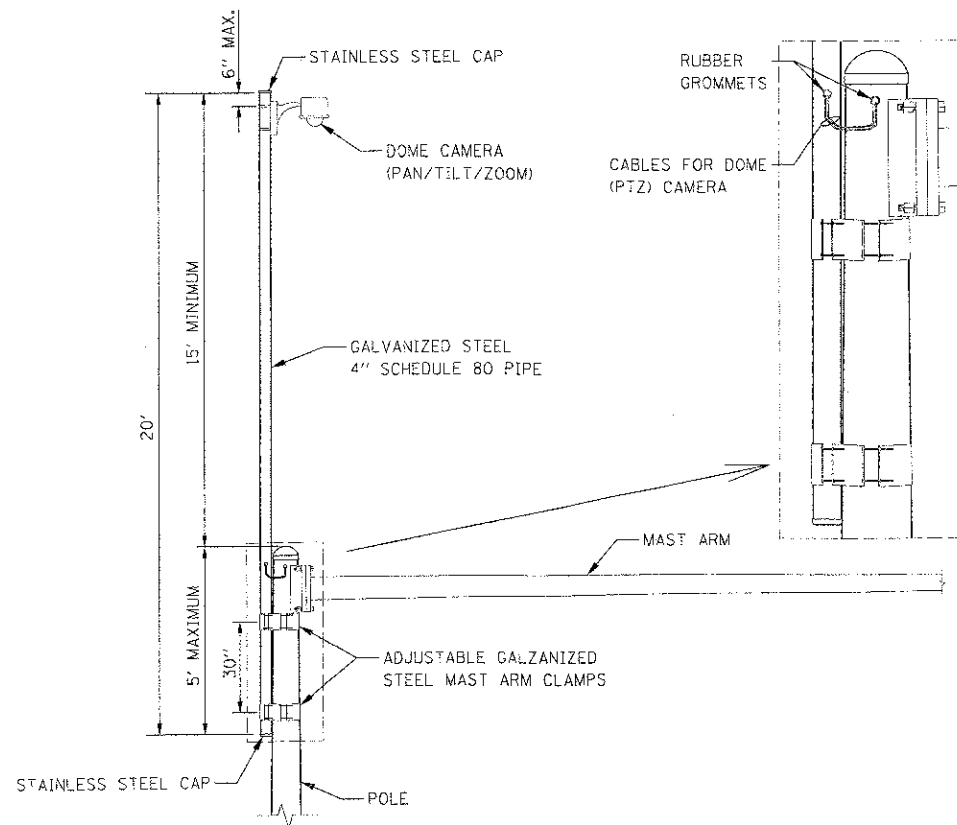
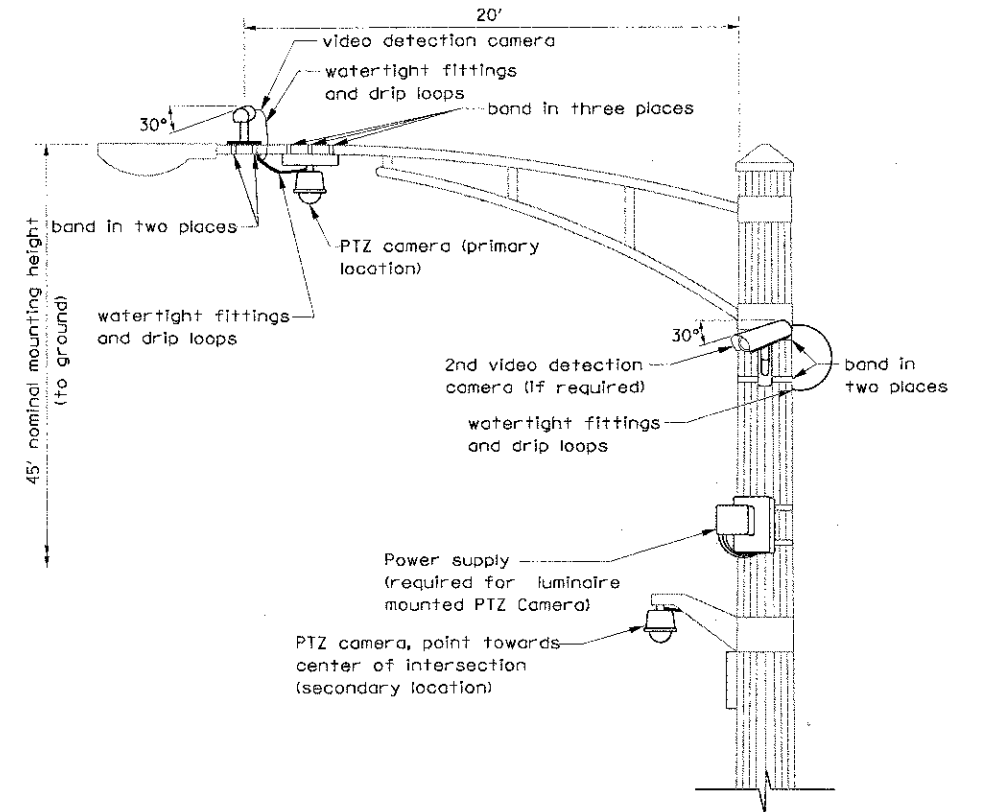


IMAGE SENSOR MOUNTING DETAILS (NO SCALE)



CAMERA MOUNTING ASSEMBLY DETAIL (NOT TO SCALE)



VIDEO DETECTION CAMERA(S) AND DOME (PTZ) CAMERA MOUNTING DETAIL (NOT TO SCALE)

NOTES FOR SINGLE, DUAL AND MULTIPLE MYP MOUNTING:
 - MOUNT LUMINAIRE MOUNTING BRACKET AS HIGH AS POSSIBLE.
 - AIM BRACKET TOWARD DIRECTION OF TRAFFIC TO BE DETECTED.
 - MOUNT MACHINE VISION PROCESSOR AIMING DOWN AT 30 DEGREE ANGLE.

REVISIONS	DATE		APPROVED BY:	A. KHAWAJA
Mounting Details Revised	2/1/08		DATE:	APRIL 1, 2008
2nd Camera Locat. added	1/14/09			
VIDEO DETECTION DETAILS				

NO.	REVISIONS / REMARKS	DATE	BY	SURVEYOR



VIDEO DETECTION DETAILS

ROUTE	SECTION	SECTION NUMBER	SHEET	SHEETS
CH				

FILE NAME: \\N:\DDC\124229\Traffic\2221_08980.dgn	USER NAME: jhiggins	DESIGNED: -	REVISED: -
		DRAWN: -	REVISED: -
		CHECKED: -	REVISED: -
		DATE: -	REVISED: -

STATE OF ILLINOIS
 DEPARTMENT OF TRANSPORTATION

VIDEO DETECTION DETAILS

SCALE: SHEET NO. OF SHEETS STA. TO STA.

F.A.D. R.T.E.:	SECTION:	COUNTY:	TOTAL SHEET NO.:
1209	03-00033-12-CH	LAKE	189 / 126
FED. ROAD DIST. NO. 1 ILLINOIS FED. AID PROJECT			CONTRACT NO. 63766

10800