

SCHEDULE OF QUANTITIES

PAY ITEM #	DESCRIPTION	UNIT	QTY
20200100	EARTH EXCAVATION	CU YD	20
35101600	AGGREGATE BASE COURSE, TYPE B 4"	SQ YD	72
42400200	PORTLAND CEMENT CONCRETE SIDEWALK 5 INCH	SQ FT	650
42400800	DETECTABLE WARNINGS	SQ FT	80
44000500	COMBINATION CURB AND GUTTER REMOVAL	FOOT	150
44000600	SIDEWALK REMOVAL	SQ FT	300
50901760	PIPE HANDRAIL	FOOT	90
60905100	COMBINATION CONCRETE CURB AND GUTTER, TYPE B-6.24 (ABUTTING EXISTING PAVEMENT)	FOOT	150
81028200	UNDERGROUND CONDUIT, GALVANIZED STEEL, 2" DIA	FOOT	87
81028240	UNDERGROUND CONDUIT, GALVANIZED STEEL, 4" DIA	FOOT	92
85000300	MAINTENANCE OF EXISTING TRAFFIC SIGNAL INSTALLATION	L SUM	1
87301215	ELECTRIC CABLE IN CONDUIT, SIGNAL NO. 14 2C	FOOT	1396
87301225	ELECTRIC CABLE IN CONDUIT, SIGNAL NO. 14 3C	FOOT	1465
87301900	ELECTRIC CABLE IN CONDUIT, EQUIPMENT GROUNDING CONDUCTOR, NO. 6 1C	FOOT	120
87502440	TRAFFIC SIGNAL POST, GALVANIZED STEEL 10 FT.	EACH	4
87800100	CONCRETE FOUNDATION, TYPE A	FOOT	20
87900200	DRILL EXISTING HANDHOLE	EACH	7
88102717	PEDESTRIAN SIGNAL HEAD, LED, 1-FACE, BRACKET MOUNTED WITH COUNTDOWN TIMER	EACH	6
88102747	PEDESTRIAN SIGNAL HEAD, LED, 2-FACE, BRACKET MOUNTED WITH COUNTDOWN TIMER	EACH	1
88800100	PEDESTRIAN PUSH-BUTTON	EACH	8
89502375	REMOVE EXISTING TRAFFIC SIGNAL EQUIPMENT	EACH	1
X8760055	PEDESTRIAN PUSH-BUTTON POST, TYPE A	EACH	1
Z0064980	SEGMENTAL BLOCK RETAINING WALL	SQ FT	180

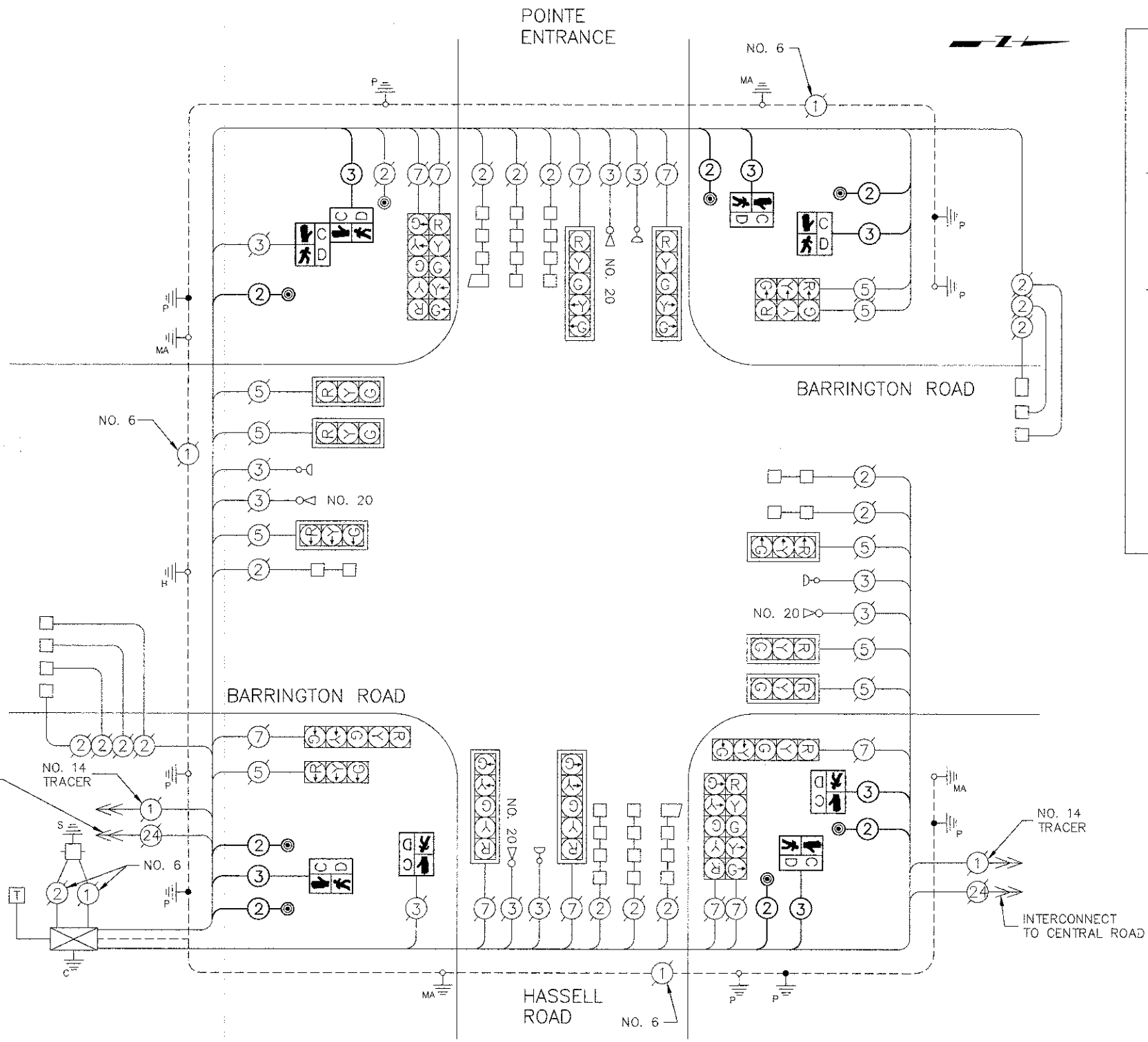
PLAN SURVEYED BY: _____ DATE: _____
 NOTED BY: _____ DATE: _____
 CHECKED BY: _____ DATE: _____
 NO. _____

PROFILE SURVEYED BY: _____ DATE: _____
 NOTED BY: _____ DATE: _____
 CHECKED BY: _____ DATE: _____
 NO. _____

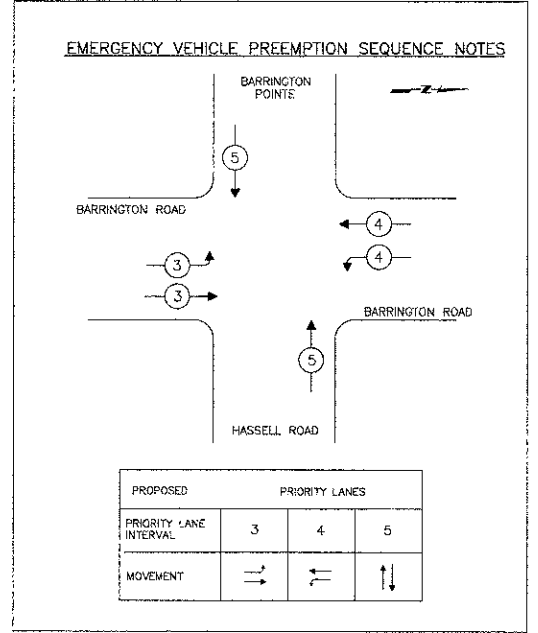
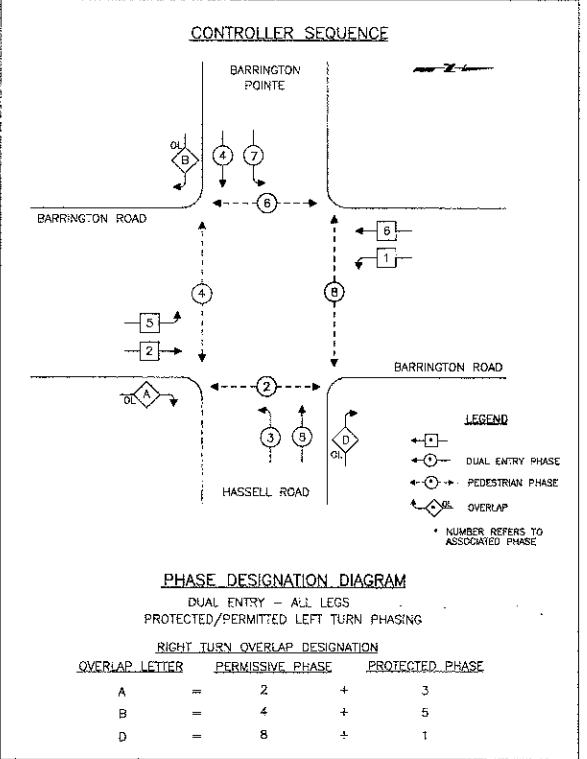
I.D.O.T. TRAFFIC SIGNAL INSTALLATION ELECTRICAL SERVICE REQUIREMENTS					
TYPE	NO. LAMPS	WATTAGE		% OPERATION	TOTAL WATTAGE
		INCAND.	LED		
SIGNAL (RED)	14		17	0.50	119.0
(YELLOW)	14		25	0.25	87.5
(GREEN)	14		15	0.25	52.5
ARROW	32		12	0.10	38.4
PED SIGNAL	8		25	1.00	200.0
CONTROLLER	1		100	1.00	100.0
TOTAL =					597.4

ENERGY COSTS TO: VILLAGE OF HOFFMAN ESTATES
 1900 HASSELL ROAD
 HOFFMAN ESTATES, IL 60169

ENERGY SUPPLY CONTACT: JUDY SCHOMER
 PHONE: (847) 870-2063
 COMPANY: COMMONWEALTH EDISON



CABLE PLAN
 NOT TO SCALE



- CONSTRUCTION NOTES:**
- CONTRACTOR TO INSTALL NEW PEDESTRIAN HEAD, LED, 1-FACE OR 2-FACE WITH COUNTDOWN TIMER AND NEW PEDESTRIAN PUSH-BUTTON, LED (LATCHING TYPE).
 - CONTRACTOR TO INSTALL NEW 10 FT POST WITH TYPE "A" FOUNDATION AS SHOWN ON THE PLANS.