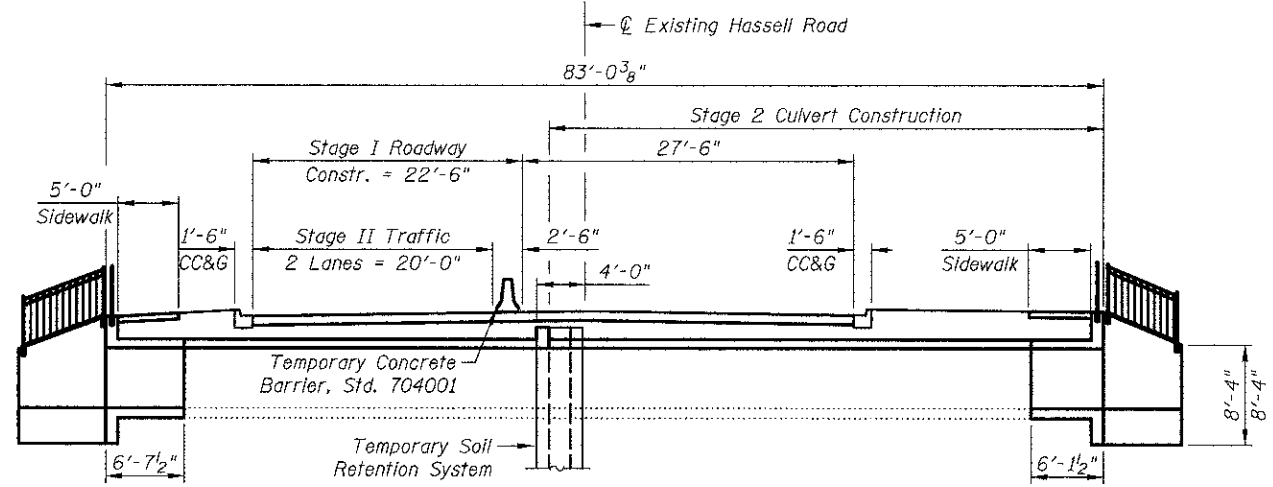


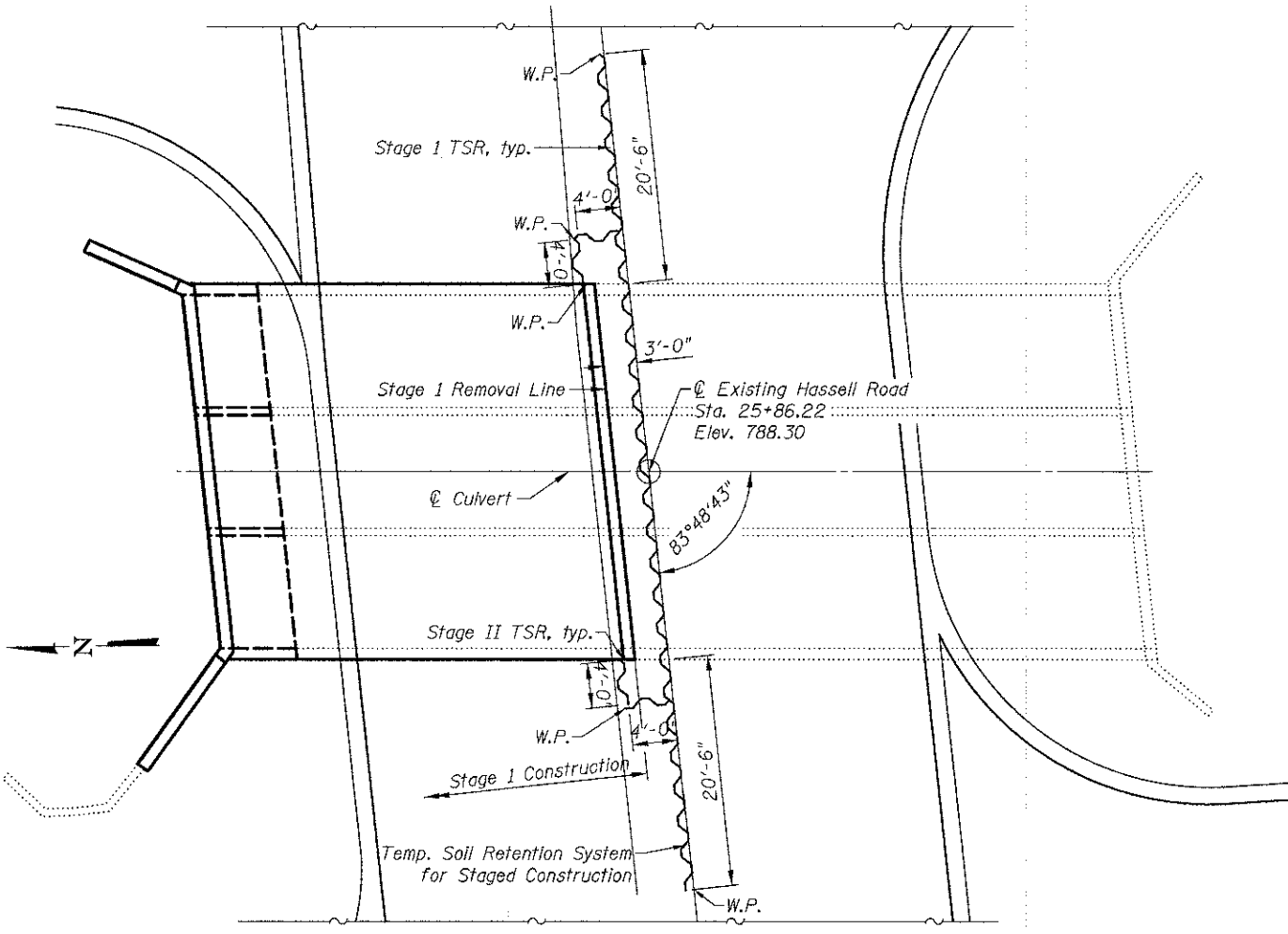
STAGE 1 CONSTRUCTION

Dimensions are taken at right angles to \odot roadway Looking East

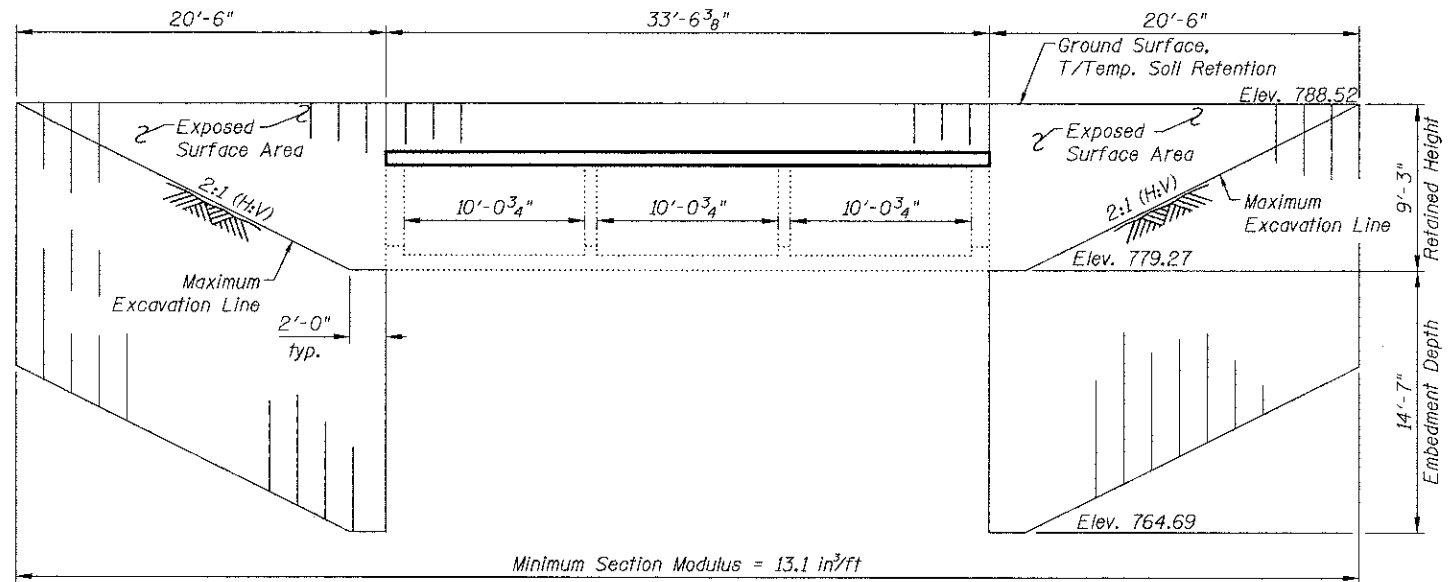


STAGE 2 CONSTRUCTION

Dimensions are taken at right angles to \odot roadway Looking East



TEMPORARY SOIL RETENTION SYSTEM - PLAN



TEMPORARY SOIL RETENTION SYSTEM - ELEVATION

BILL OF MATERIAL

Item	Unit	Quantity
Temporary Soil Retention System	Sq. Ft.	1,277

TSR = Temporary Soil Retention
W.P. = Work Point

J:\244\oad\016-6328\02_Stage Construction Details.r2.dgn 12/12/2012 10:31:04 AM

CIVILTECH
450 E Devon Ave, Suite 300
Itasca, Illinois 60143
Tel: 630.773.3900 Fax: 630.773.3975
www.civiltechinc.com

DRAWN - K. BOCHNOWSKI	REVISED -
DESIGNED - M. LANGE	REVISED -
CHECKED - G. HATLESTAD	REVISED -
DATE - DECEMBER 17, 2012	REVISED -

**STATE OF ILLINOIS
DEPARTMENT OF TRANSPORTATION**

**STAGE CONSTRUCTION DETAILS
HASSELL ROAD OVER POPLAR CREEK
STRUCTURE NO. 016-6328**

F.A.U. RTE.	SECTION	COUNTY	TOTAL SHEETS	SHEET NO.
1100	11-00087-00-FP	COOK	164	100
CONTRACT NO. 63770				
ILLINOIS FED. AID PROJECT CNR 90031757				

SHEET NO. CA2 OF CA9 SHEETS