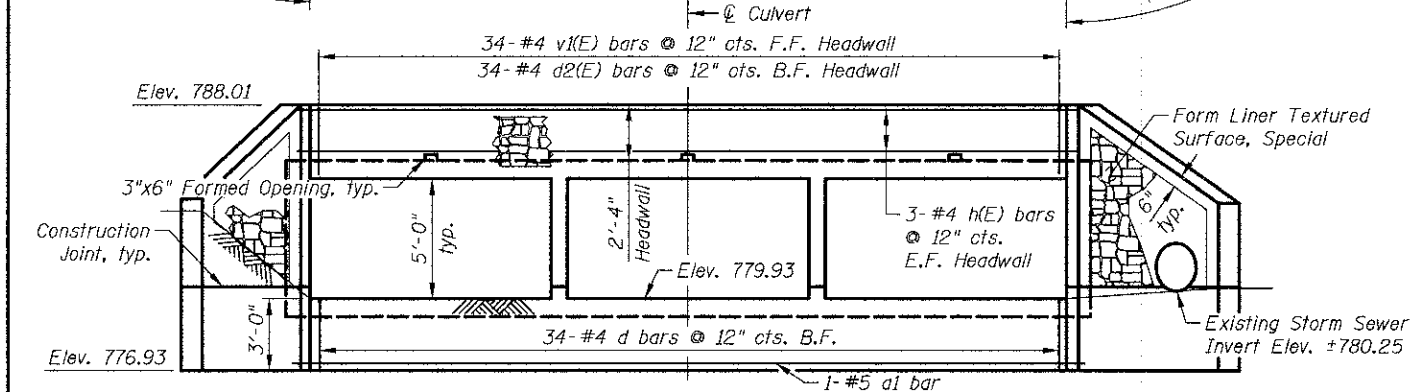
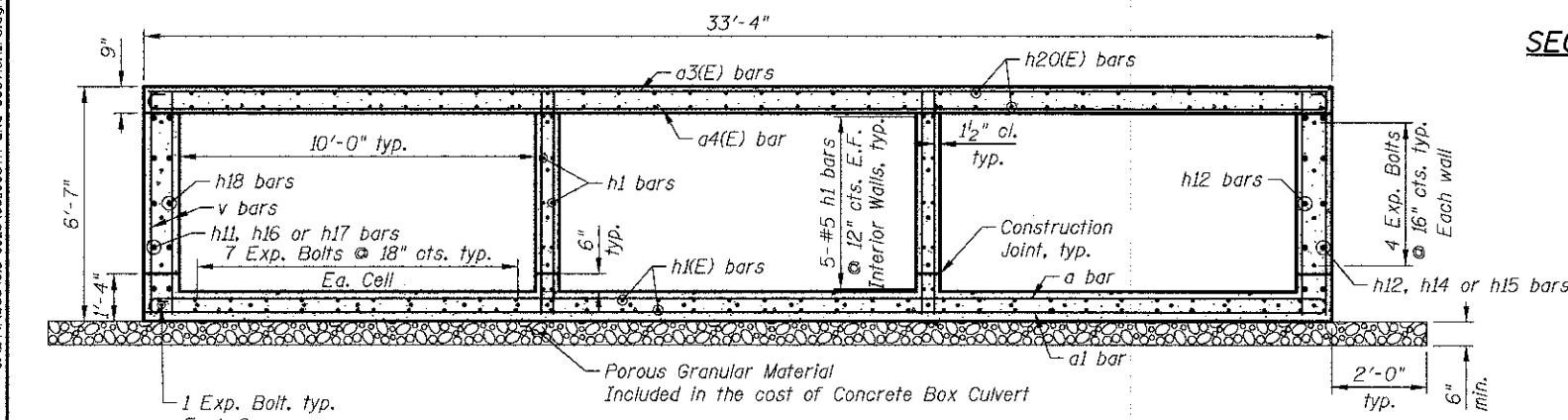


PARTIAL PLAN



END VIEW - ELEVATION



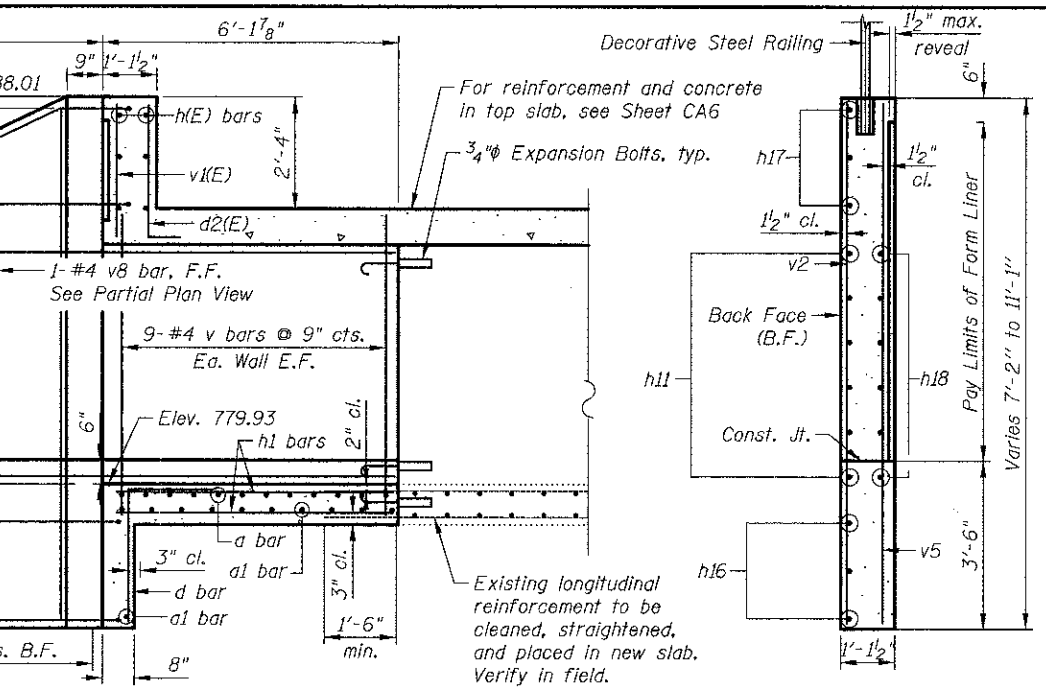
SECTION THRU BARREL

Expansion Bolts shall be 3/4" φ hooked bolts. Hooked bolts shall extend a minimum of 9" into new concrete.

450 E Devon Ave, Suite 300
Itasca, Illinois 60143
Tel. 630.773.3900 Fax: 630.773.3975
www.civiltechinc.com

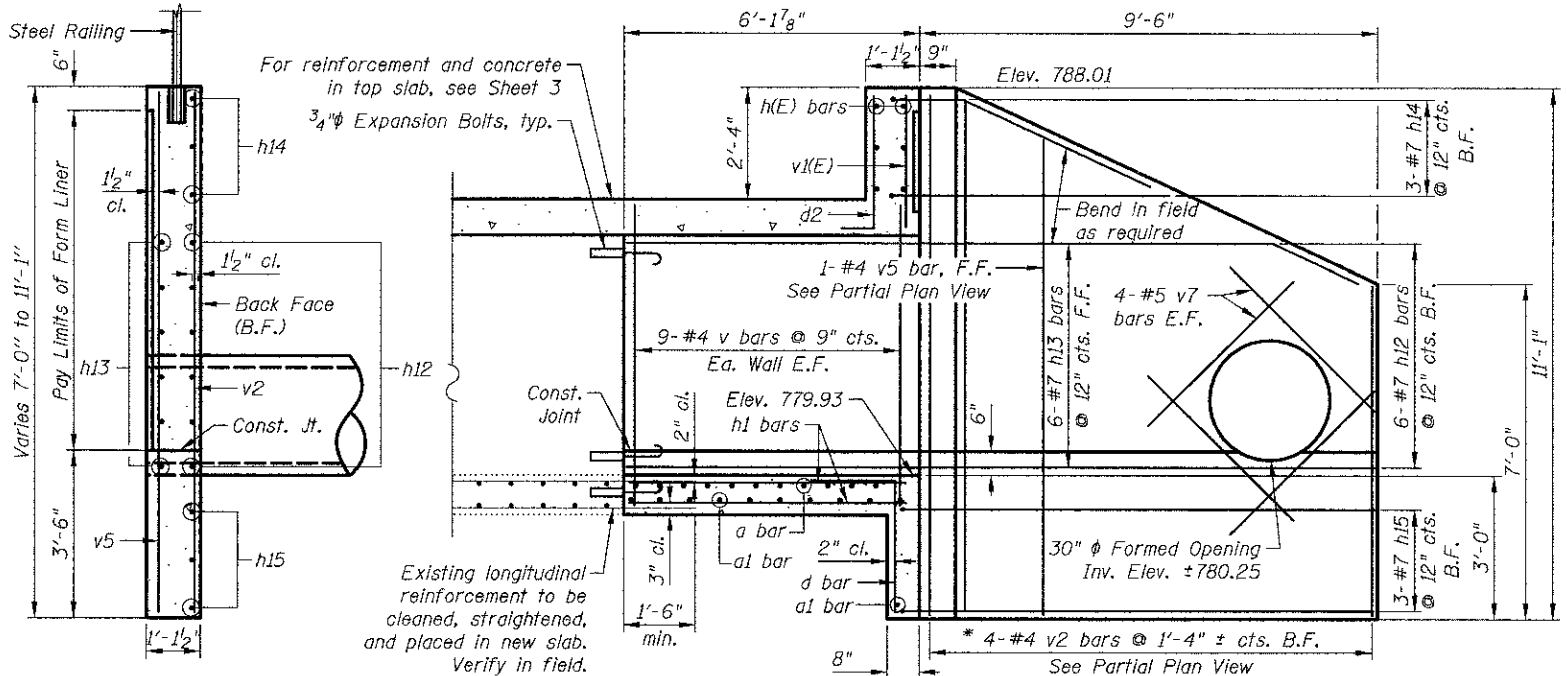
DRAWN	- K. BOCHNOWSKI	REVISED	-
DESIGNED	- M. LANGE	REVISED	-
CHECKED	- G. HATLESTAD	REVISED	-
DATE	- DECEMBER 17, 2012	REVISED	-

**STATE OF ILLINOIS
DEPARTMENT OF TRANSPORTATION**



SOUTHWEST WINGWALL

* See Field Cutting Diagram on sheet CA6



SECTION D-D

SOUTHEAST WINGWALL

* See Field Cutting Diagram on sheet CA6
Reinforcement bars that interfere with the formed opening in the wingwall shall be cut off to provide adequate clearance as approved by the Engineer.

**SOUTH END SECTION
HASSELL ROAD OVER POPLAR CREEK
STRUCTURE NO. 016-6328**

F.A.U. RTE.	SECTION	COUNTY	TOTAL SHEETS	SHEET NO.
1100	11-00087-00-FP	COOK	164	103
CONTRACT NO. 63770				

ILLINOIS FED. AID PROJECT CMM 9003(757)

12/12/2012 11:31:0 AM J:\244\road\016-6328\05_South_End_Section.r3.dgn