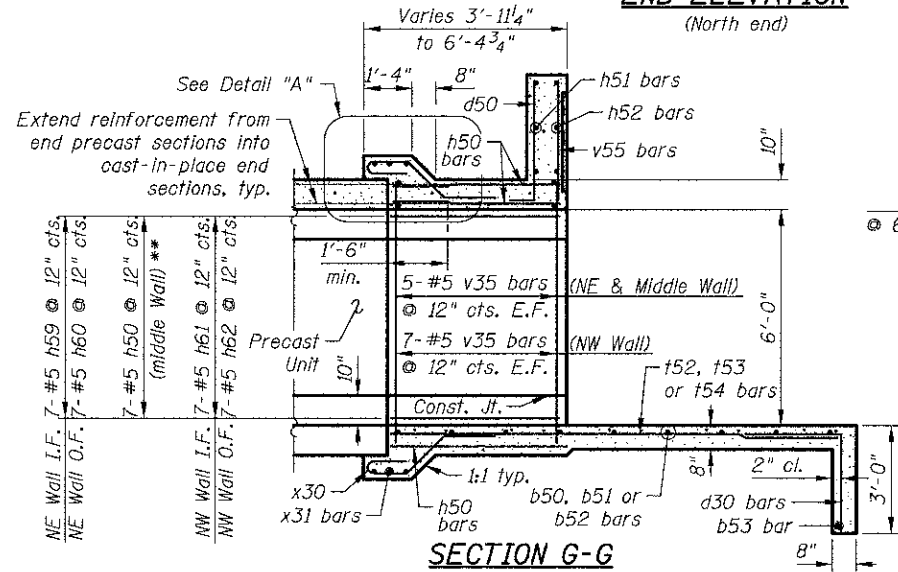


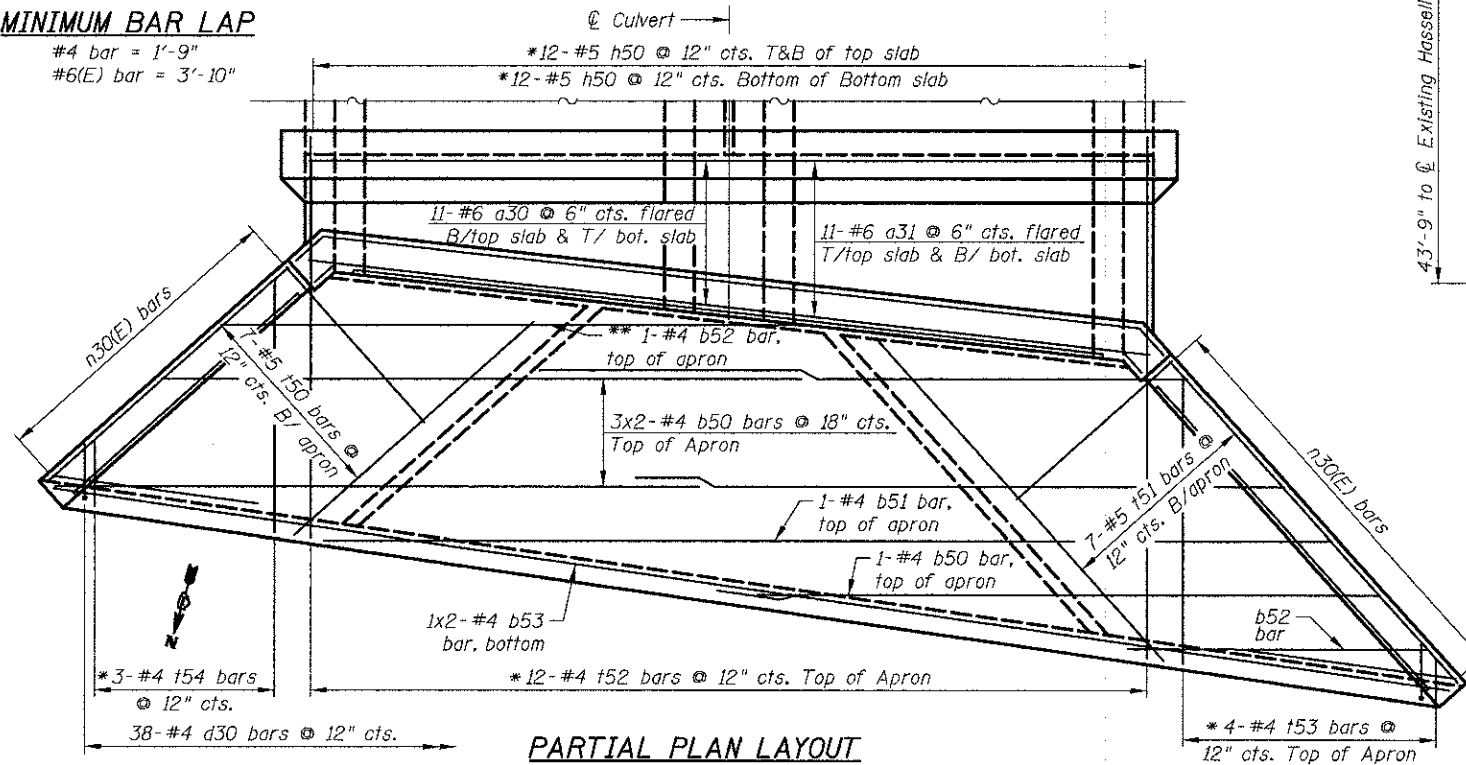
END ELEVATION
(North end)



SECTION G-G

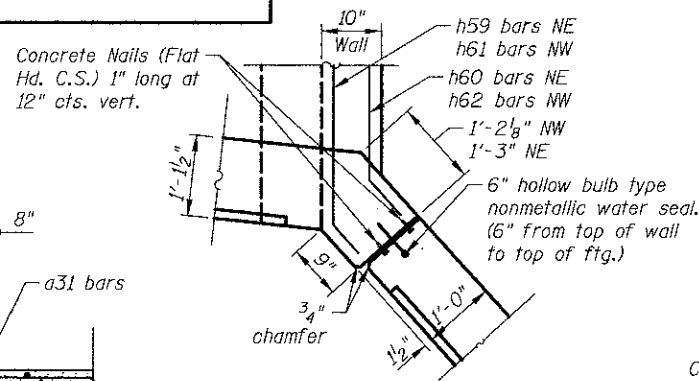
MINIMUM BAR LAP

#4 bar = 1'-9"
#6(E) bar = 3'-10"



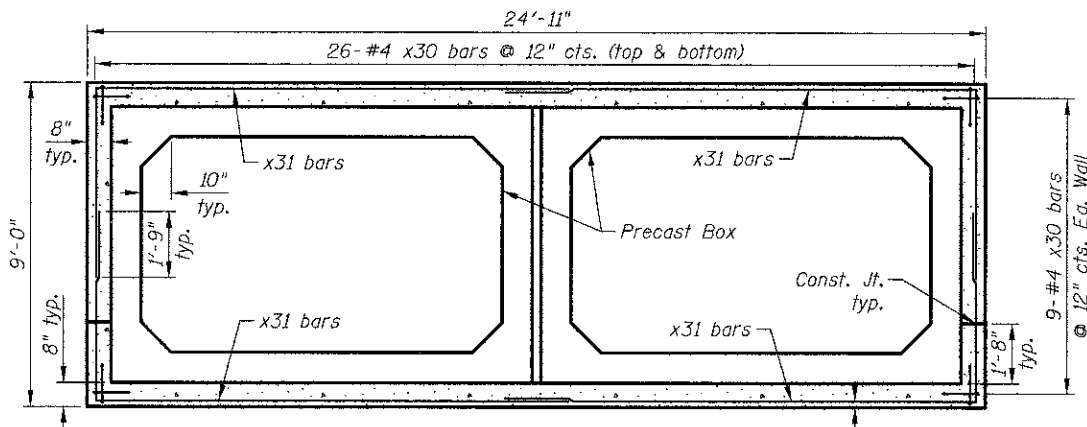
PARTIAL PLAN LAYOUT

Showing reinforcement (North End Section)

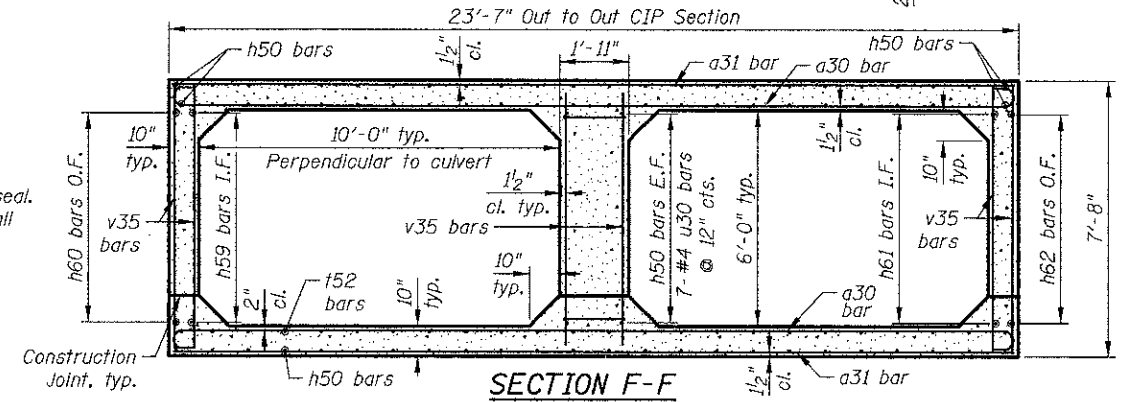


CORNER DETAIL

Water seal and concrete nails are cost included with Concrete Box Culvert End Section



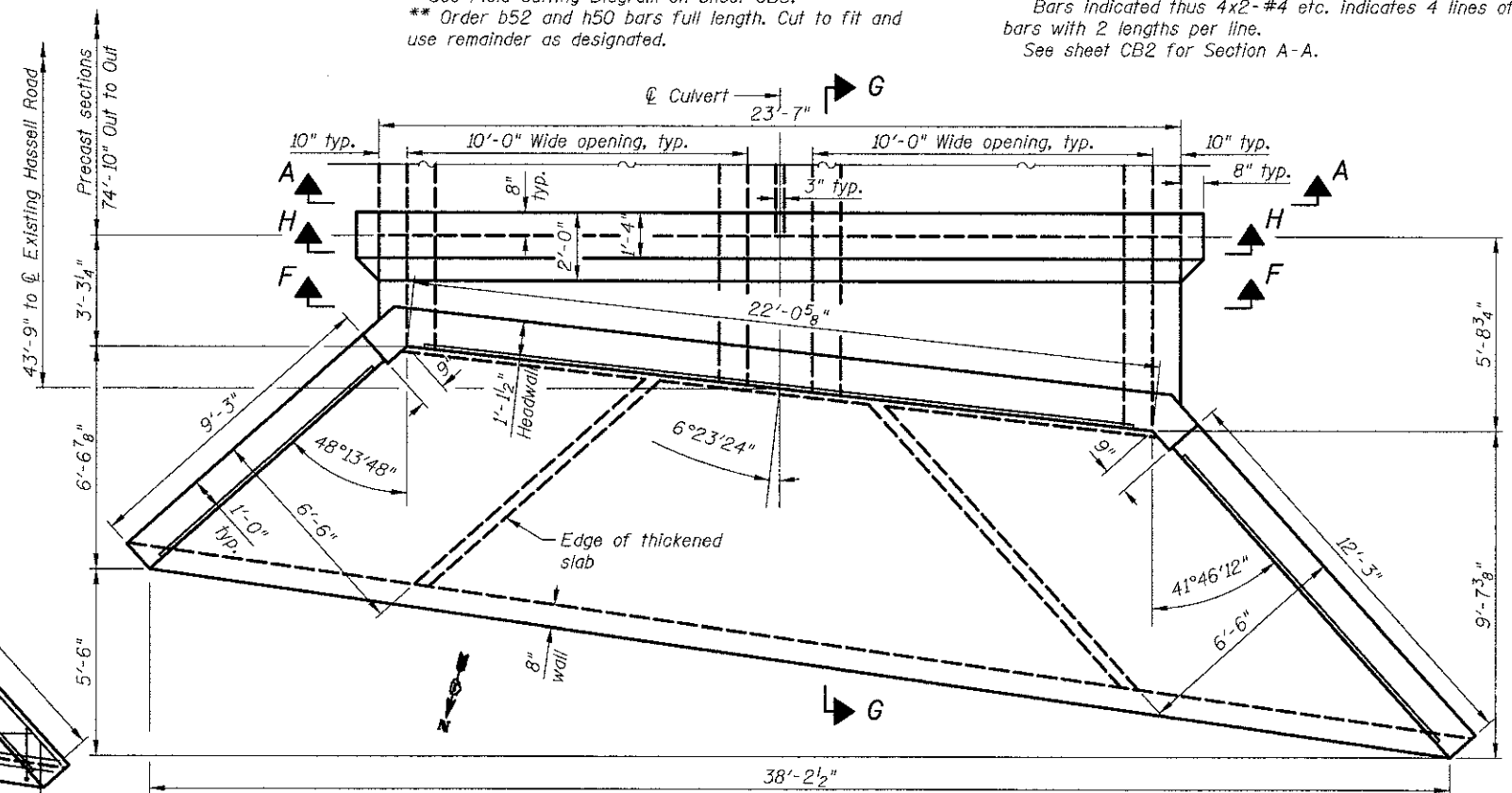
SECTION H-H



SECTION F-F

* See Field Cutting Diagram on sheet CB5.
** Order b52 and h50 bars full length. Cut to fit and use remainder as designated.

Notes:
Bars indicated thus 4x2-#4 etc. indicates 4 lines of bars with 2 lengths per line.
See sheet CB2 for Section A-A.



PARTIAL PLAN LAYOUT

Showing Dimension (North End Section)