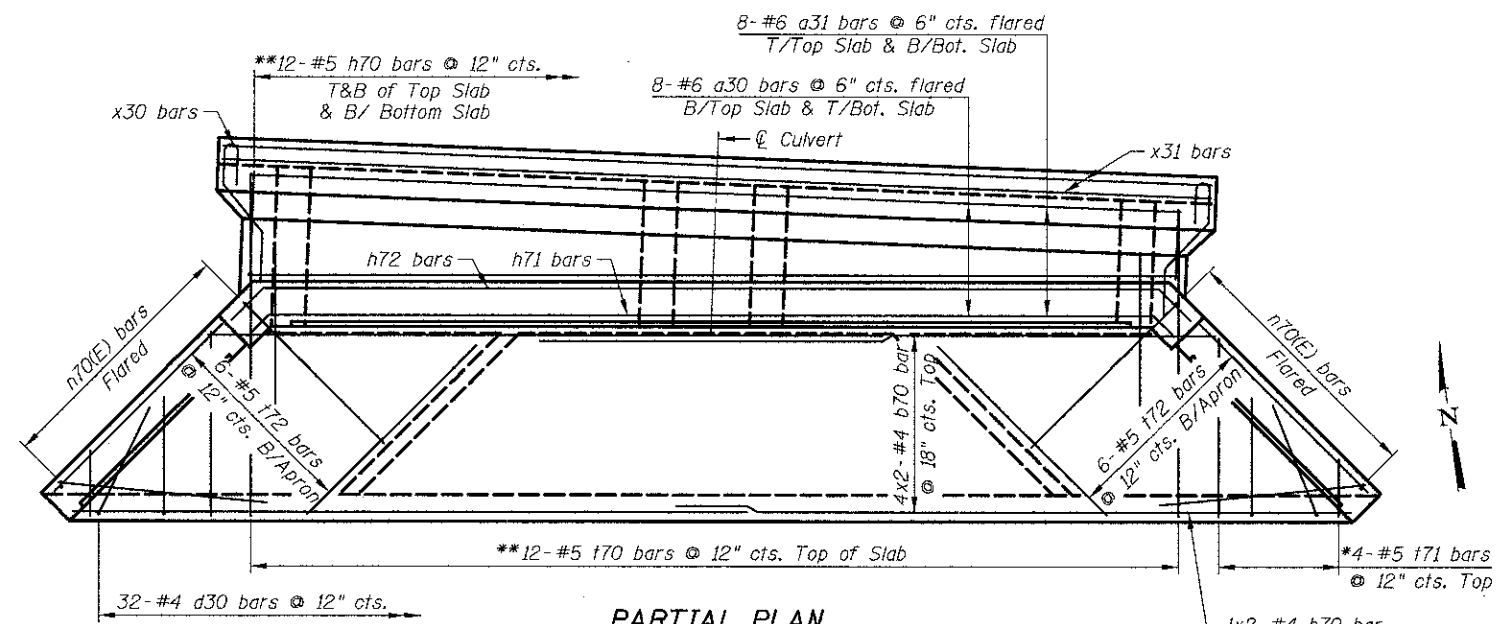
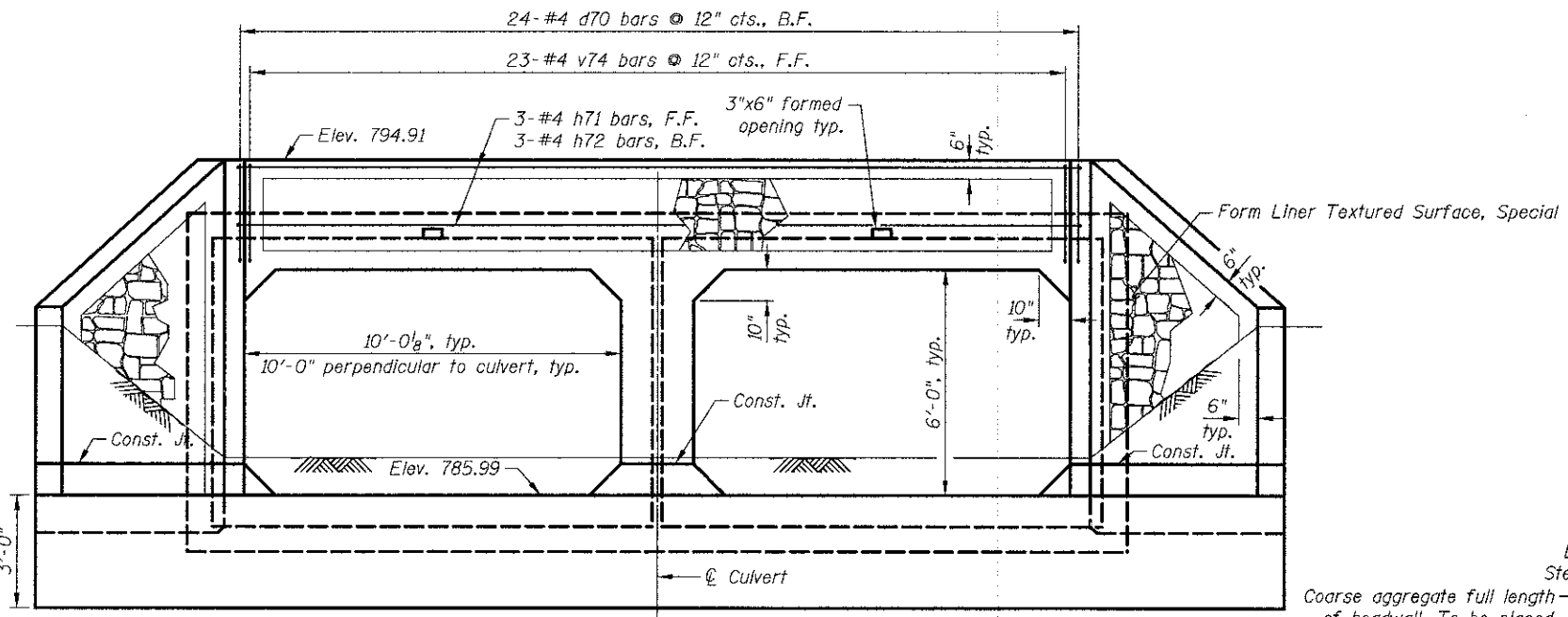


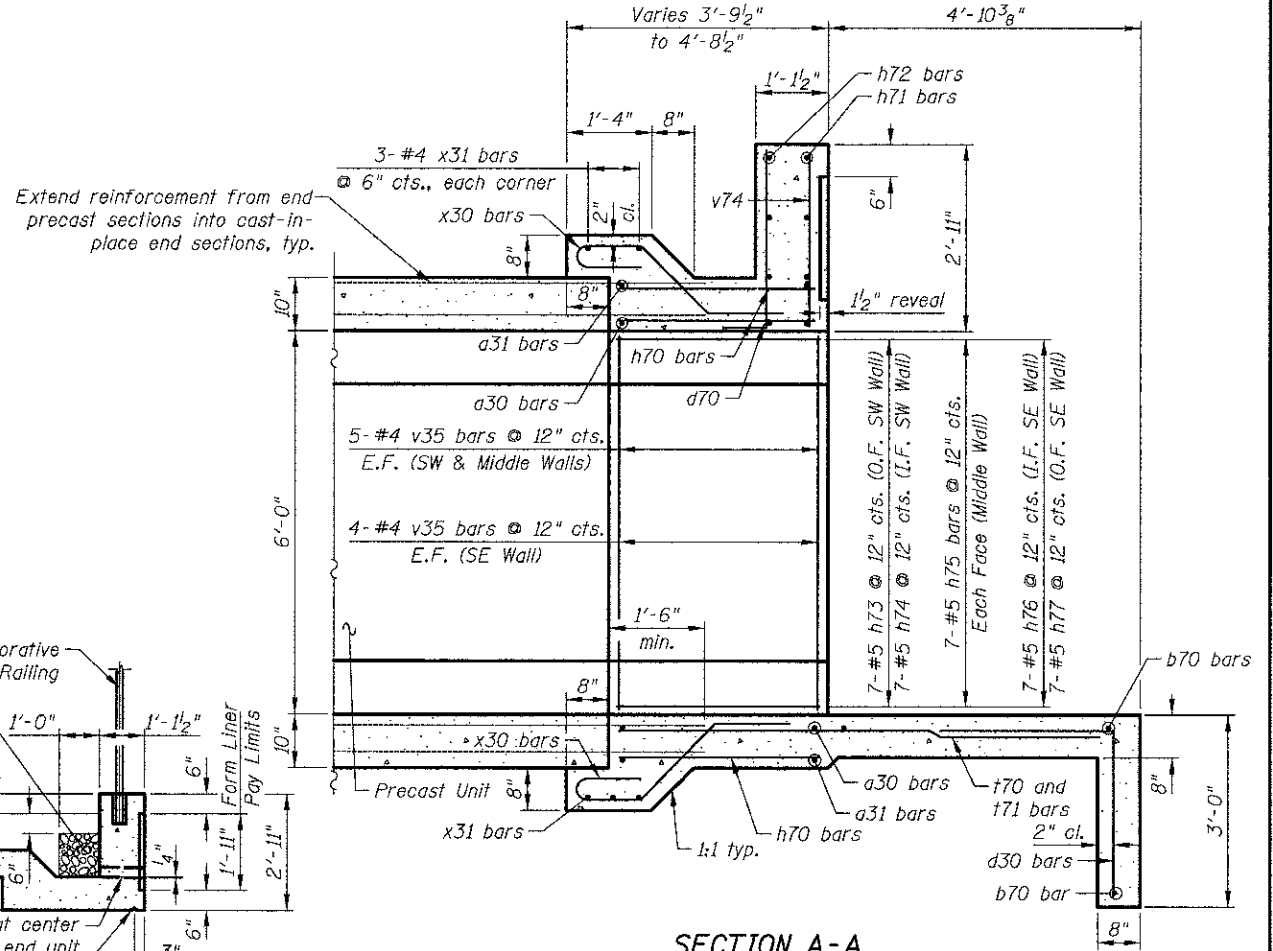
PARTIAL PLAN
(Showing Dimensions)
(South End)



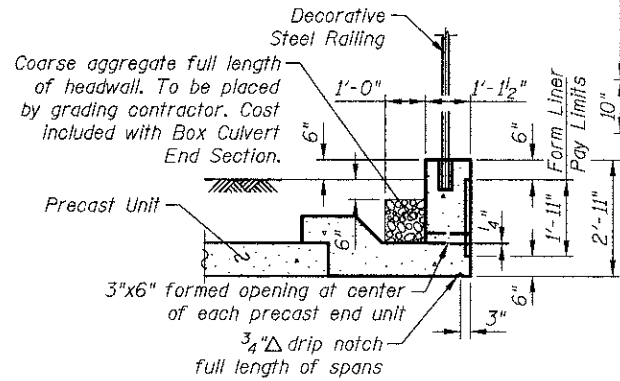
PARTIAL PLAN
(Showing Reinforcement)
(South End)



END ELEVATION
(South End)



SECTION A-A



SECTION THRU HEADWALL
(Downstream end)

Notes:
See sheet CC3 for Section B-B, C-C, D-D and Section Thru Precast Box.
Bars indicated thus 4x2-#4 etc. indicates 4 line of bars with 2 lengths per line.

MINIMUM BAR LAP
#4 bar = 1'-9"

* Order bars full length. Cut to fit and use remainder on opposite end.
** See Field Cutting Diagram on sheet CC3.

11/21/2012 11:32:27 AM J:\244\road\016-6343\02_S_End Section.dgn