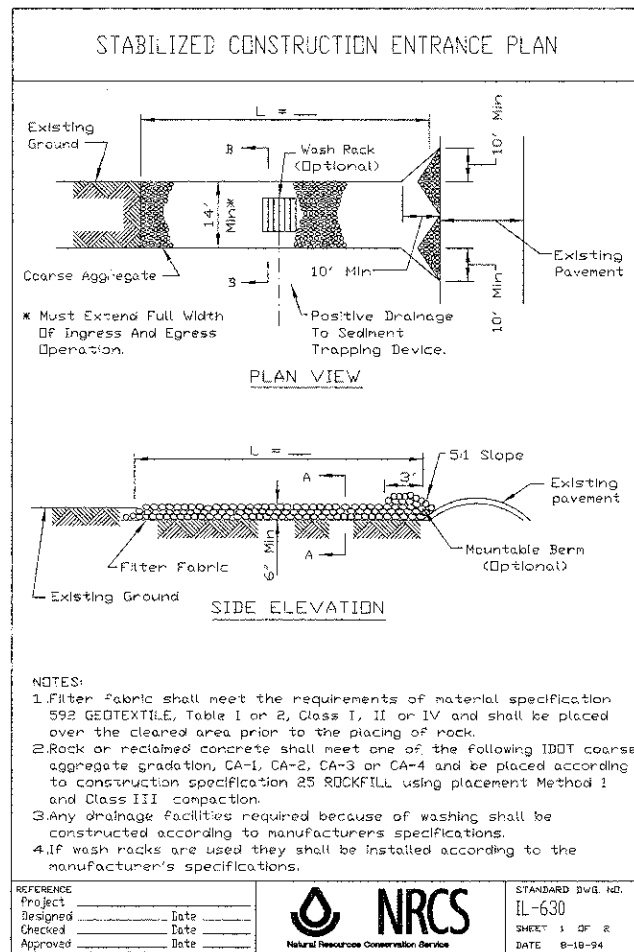
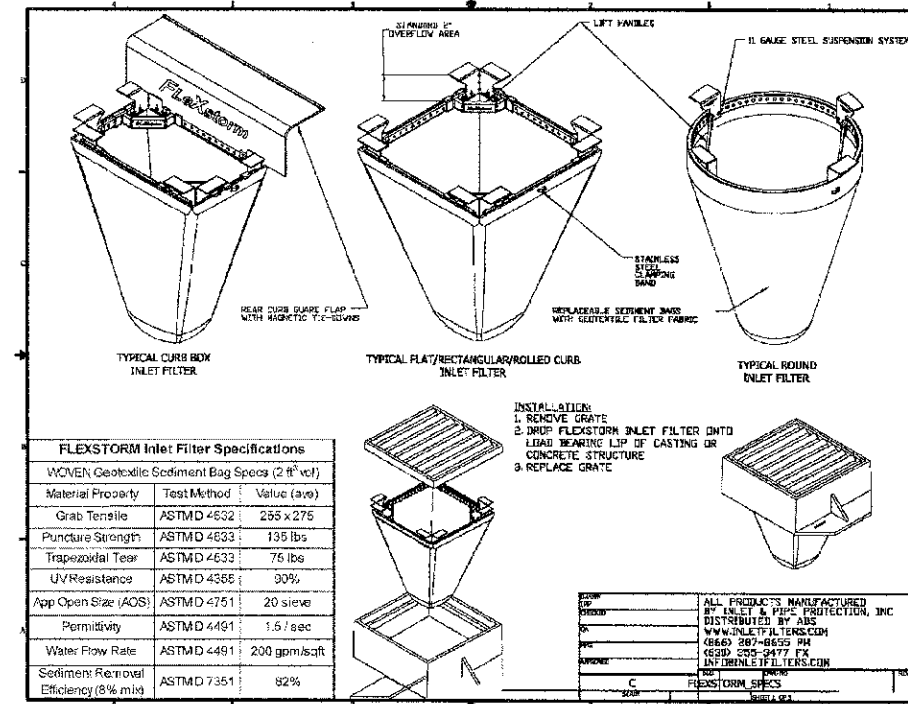
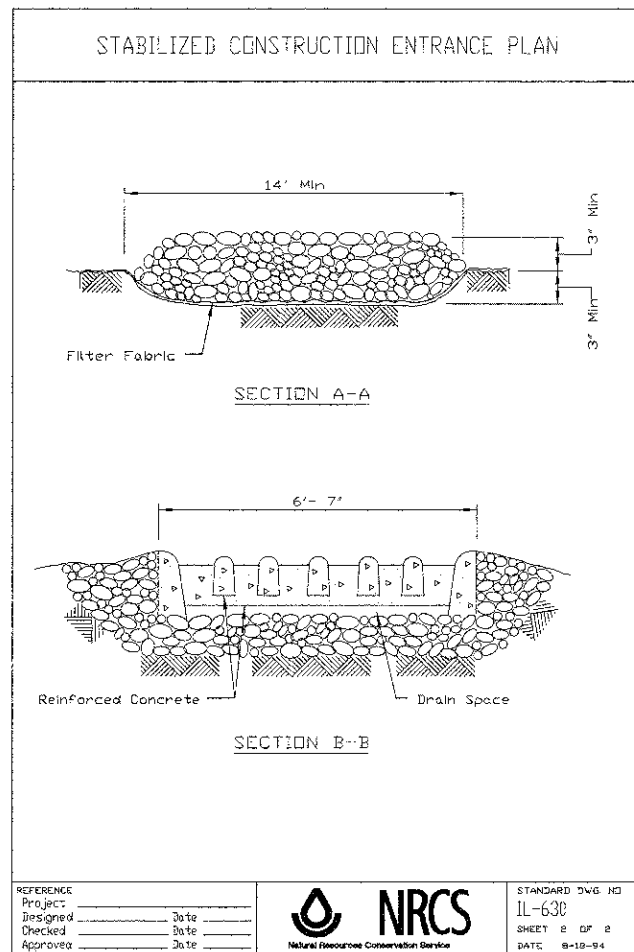


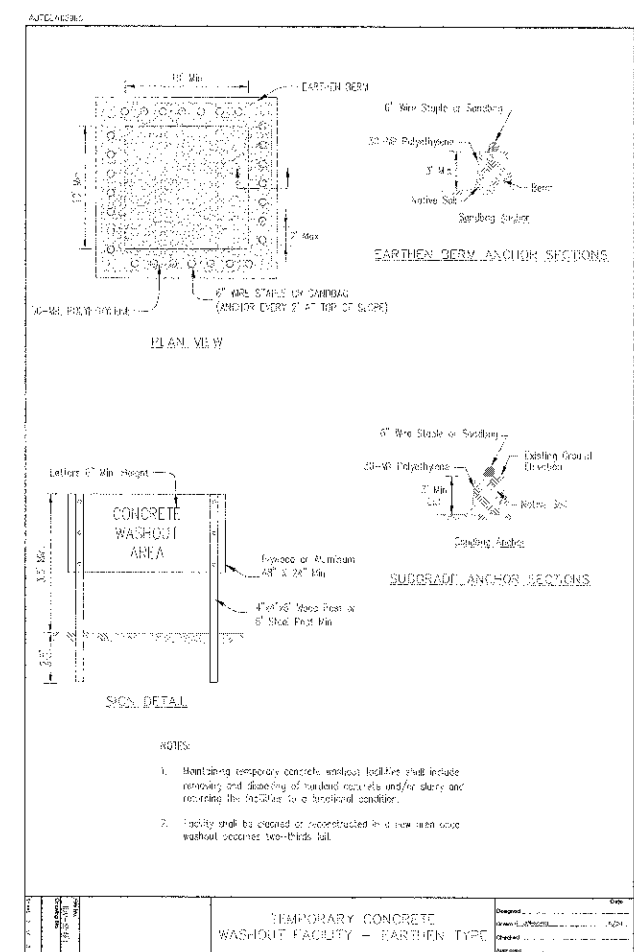
CURB AND GUTTER DETAIL AT DRIVEWAYS
N.T.S.



REFERENCE Project: _____	 NRCS Natural Resources Conservation Service	STANDARD DWG NO. IL-630
Designed: _____ Date: _____		SHEET 1 OF 2
Checked: _____ Date: _____		DATE 8-18-94
Approved: _____ Date: _____		



REFERENCE Project: _____	 NRCS Natural Resources Conservation Service	STANDARD DWG NO. IL-630
Designed: _____ Date: _____		SHEET 2 OF 2
Checked: _____ Date: _____		DATE 8-18-94
Approved: _____ Date: _____		



REFERENCE Project: _____	 NRCS Natural Resources Conservation Service	STANDARD DWG NO. IL-630
Designed: _____ Date: _____		SHEET 3 OF 3
Checked: _____ Date: _____		DATE 8-18-94
Approved: _____ Date: _____		