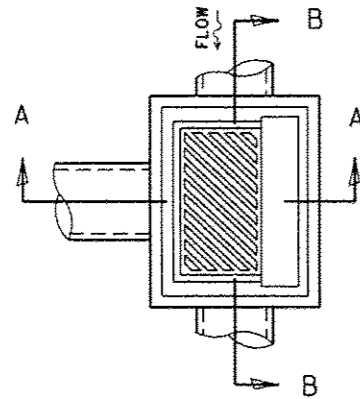
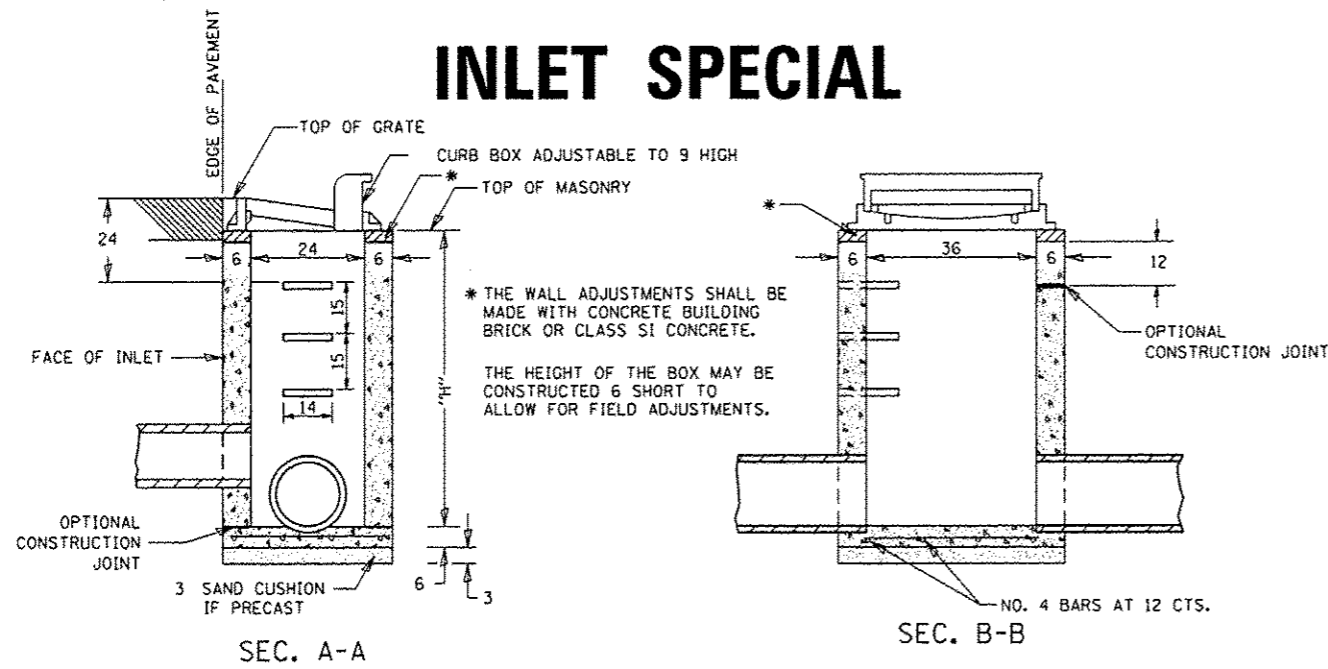


INLET SPECIAL

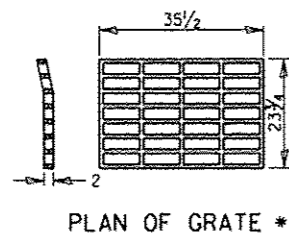
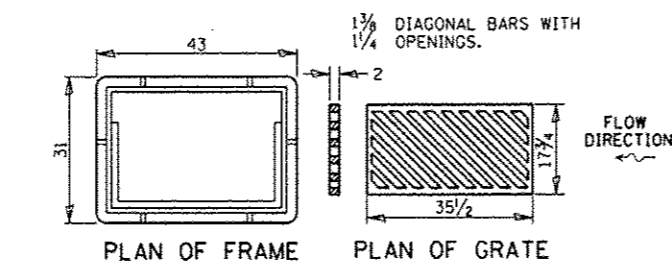


DETAIL OF FRAME & GRATE

NOTES

CLASS SI CONCRETE OR PRECAST CONCRETE SHALL BE USED THROUGHOUT. PRECAST CONCRETE SHALL BE IN ACCORDANCE WITH SECTION 504.01 THRU 504.05 OF THE STANDARD SPECIFICATIONS EXCEPT THAT CONCRETE STRENGTH SHALL BE 4,000 PSI AFTER 28 DAYS.

THE CONTRACT UNIT PRICE EACH FOR INLET SPECIAL SHALL INCLUDE THE COST OF CONSTRUCTING THE INLET BOX, FURNISHING AND INSTALLING THE FRAME AND GRATE, THE CAST IRON STEPS (IF USED), THE PRECAST FLOOR SLABS, SAND CUSHION (WHEN USED) AND REINFORCEMENT BARS.

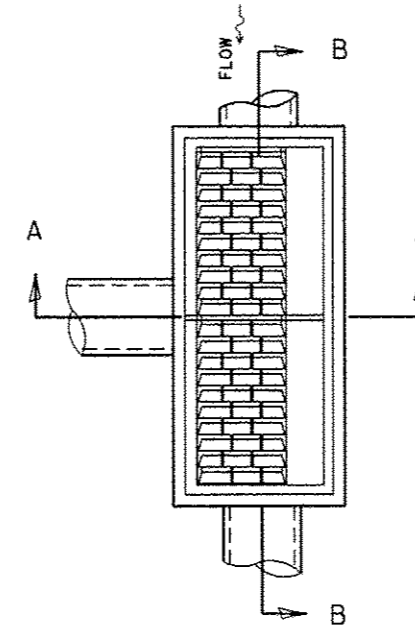
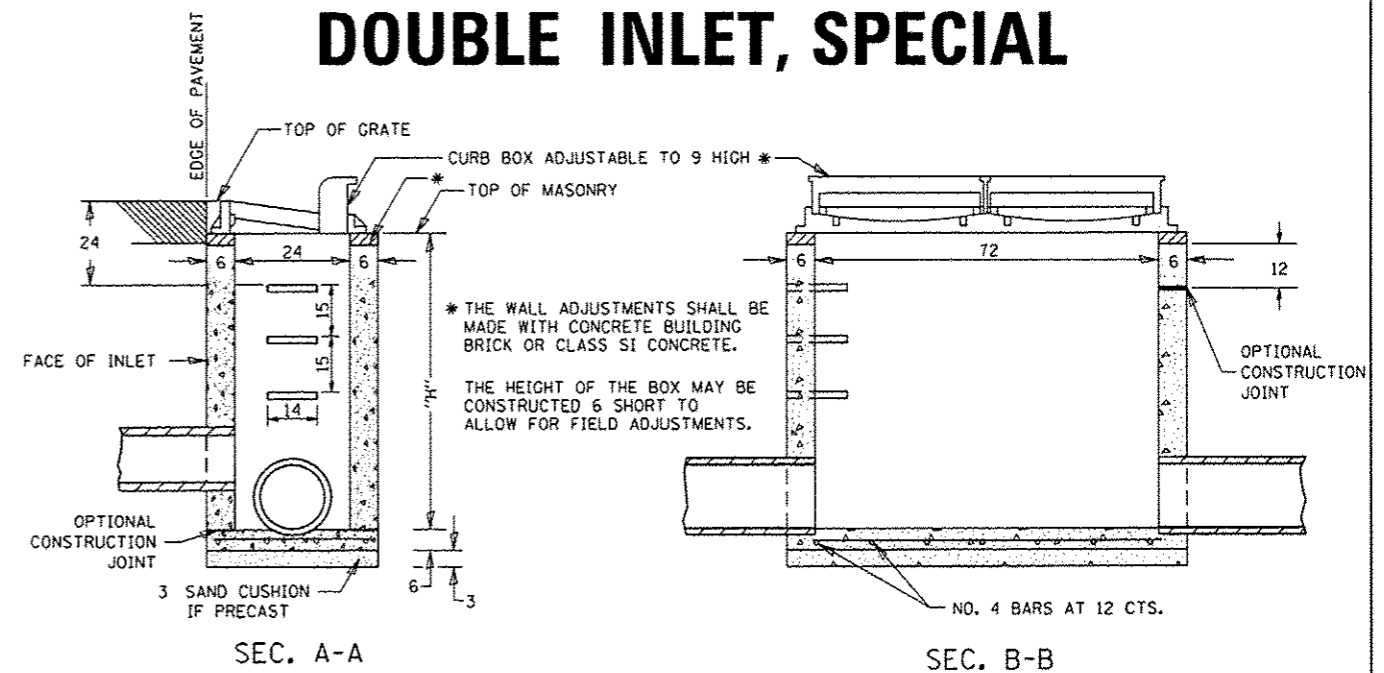


* THIS GRATE TO BE USED WITHOUT CURB BOX WHEN INLET IS IN DRIVEWAY.

ALL DIMENSIONS ARE IN INCHES UNLESS OTHERWISE NOTED.

REVISED - 10-13-11

DOUBLE INLET, SPECIAL



NOTES

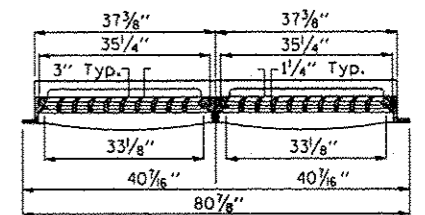
SEE STANDARD 602701 FOR DETAILS OF STEPS.

EXCEPT AS NOTED HEREON DOUBLE INLET SPECIAL SHALL BE CONSTRUCTED IN ACCORDANCE WITH SECTION 602 OF THE STANDARD SPECIFICATIONS.

THE SIDE WALLS MAY BE BUILT AS PRECAST SEGMENTED SECTIONS.

ALL VOIDS AROUND PIPE ENTRANCE, BOTH INSIDE AND OUTSIDE, SHALL BE SEALED WITH MORTAR.

R-3295-2 DOUBLE UNIT STEPS SHALL BE OMITTED WHEN DEPTH OF "H" IS LESS THAN 5 FOOT.



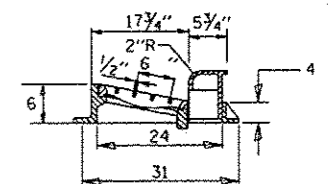
SECTION B-B

DETAIL OF FRAME & GRATE

NOTES

CLASS SI CONCRETE OR PRECAST CONCRETE SHALL BE USED THROUGHOUT. PRECAST CONCRETE SHALL BE IN ACCORDANCE WITH SECTION 504.01 THRU 504.05 OF THE STANDARD SPECIFICATIONS EXCEPT THAT CONCRETE STRENGTH SHALL BE 4,000 PSI AFTER 28 DAYS.

THE CONTRACT UNIT PRICE EACH FOR INLET SPECIAL SHALL INCLUDE THE COST OF CONSTRUCTING THE INLET BOX, FURNISHING AND INSTALLING THE FRAME AND GRATE, THE CAST IRON STEPS (IF USED), THE PRECAST FLOOR SLABS, SAND CUSHION (WHEN USED) AND REINFORCEMENT BARS.



SECTION A-A

ALL DIMENSIONS ARE IN INCHES UNLESS OTHERWISE NOTED.

Rev.

REVISED - 10-13-11	REGION 2 / DISTRICT 2 STANDARD		F.A.P. RFE.	SECTION	COUNTY	TOTAL SHEETS	SHEET NO.
REVISED -			303	41R	WINNEBAGO	327	321
REVISED -			CONTRACT NO. 64750				
REVISED -	SCALE: _____	SHEET NO. ___ OF ___ SHEETS	STA. _____ TO STA. _____	FED. ROAD DIST. NO. 2 ILLINOIS FED. AID PROJECT			