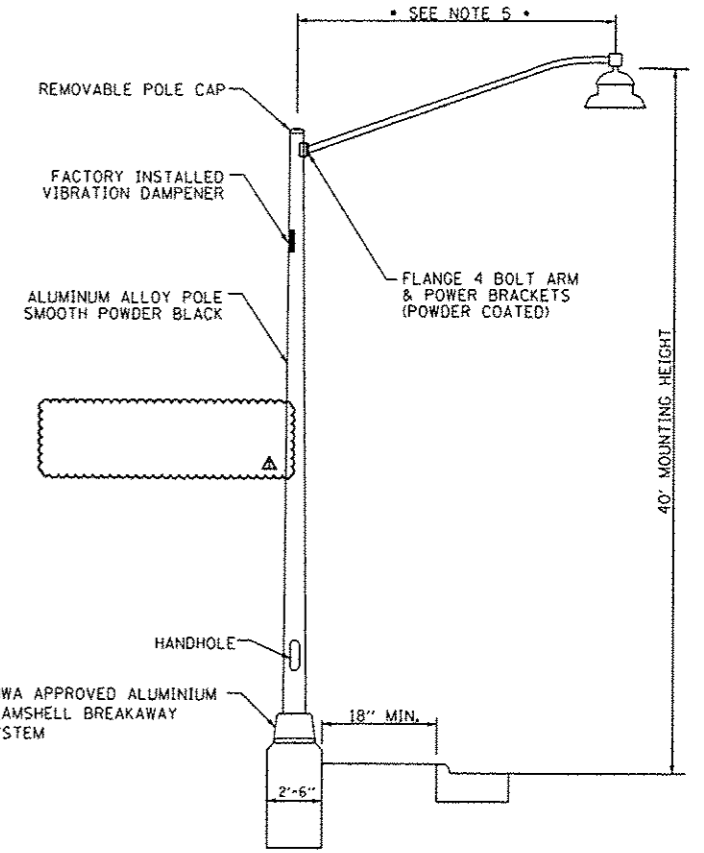
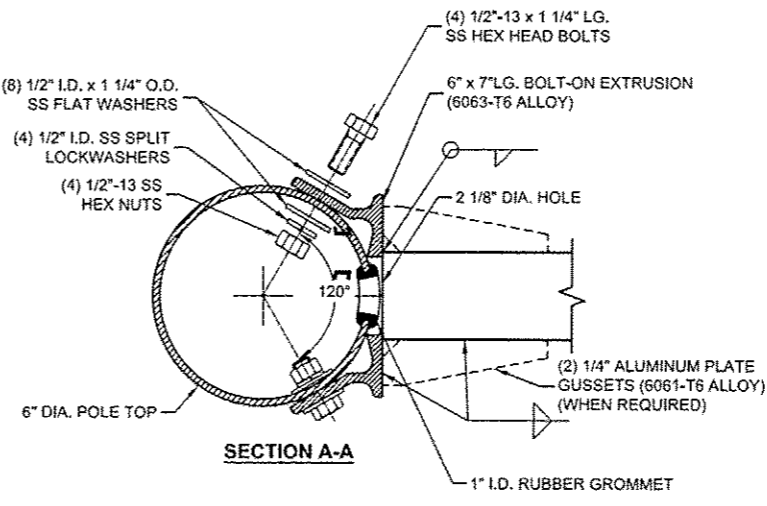
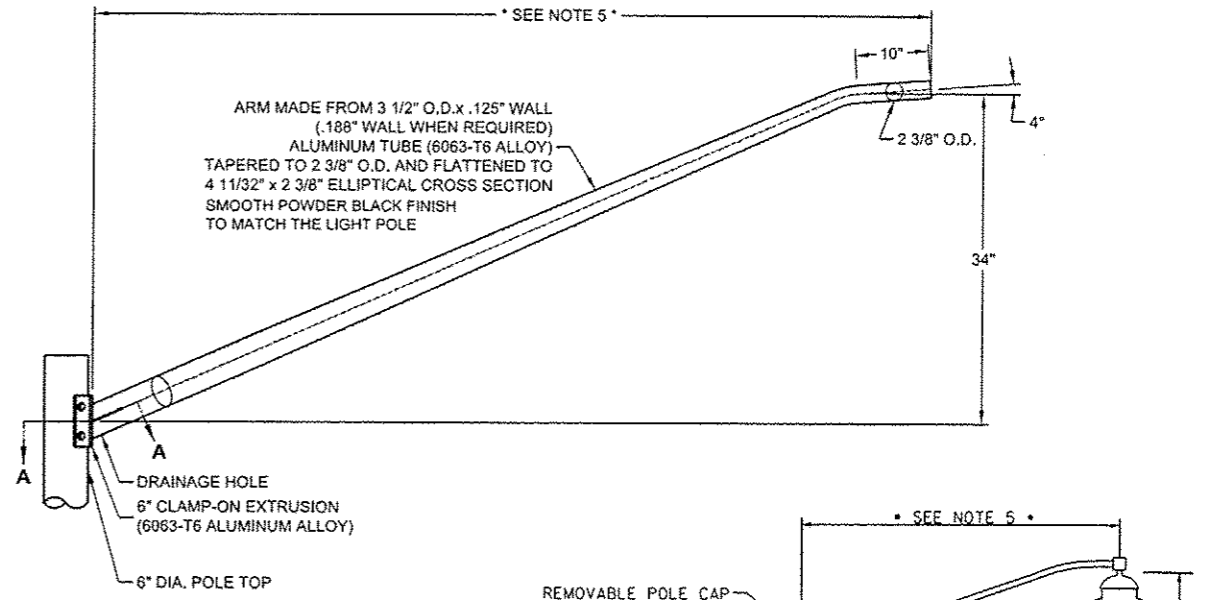
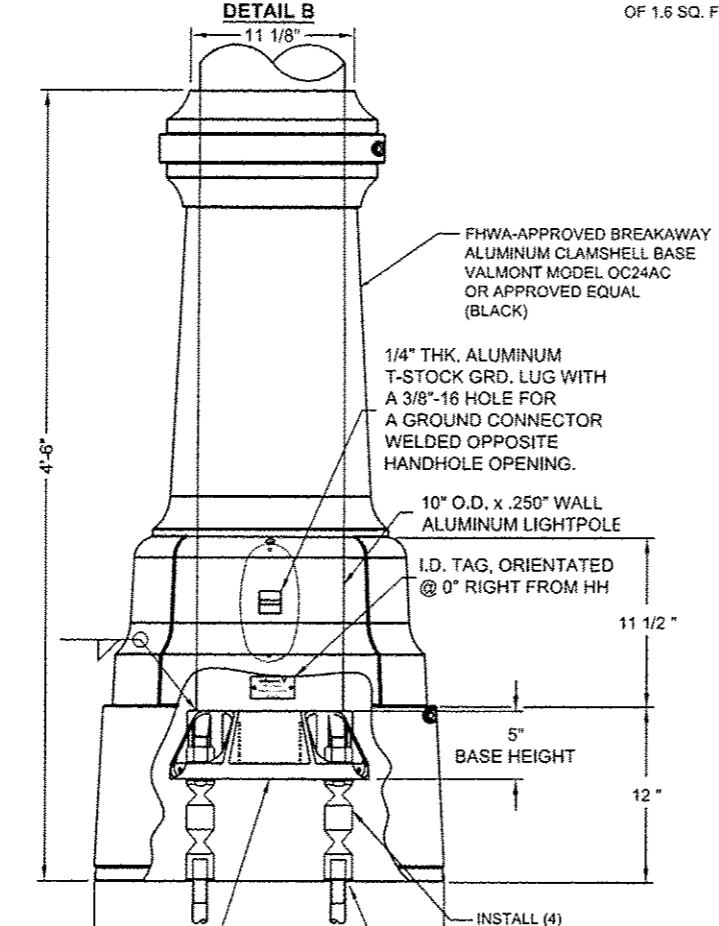


- NOTES:
1. UNITS SHALL BE MANUFACTURED ACCORDING TO AASHTO "STANDARD SPECIFICATIONS FOR STRUCTURAL SUPPORTS FOR HIGHWAY SIGNS, LUMINAIRES AND TRAFFIC SIGNALS" CURRENT AT THE TIME THE PROJECT IS ADVERTISED. LIGHT POLES SHALL BE DESIGNED FOR 90 MPH WIND VELOCITY AND A MINIMUM DESIGN LIFE OF 50 YEARS.
 2. POLES SHALL BE DESIGNED TO WITHSTAND LOADING OF 75 LB. LUMINAIRE WITH AN EPA OF 1.6 SQ. FT. INCLUDING ALL ATTACHMENTS.



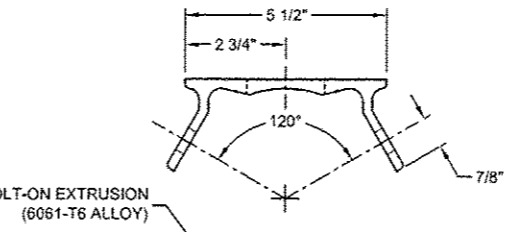
LIGHT POLE, SPECIAL
NOT TO SCALE

LIGHT POLE, SPECIAL, LUMINAIRE SCHEDULE					
TYPE	DESCRIPTION	MANUFACTURER	POLE	LAMP	VOLTAGE
LIGHT POLE, SPECIAL	DOMUS 55 SERIES, TYPE III CUTOFF CATALOG DMS55-400PSMH-SG3-480V	LUMEC	VALMONT • 40 FT M.H., WITH CLAMHELL BASE ON CONCRETE FOUNDATION MAST ARM LENGTH AS SPECIFIED	400W M.H. PULSE START	480 V

• OR APPROVED EQUAL

- NOTE:
1. WELDING WIRE (ER4043).
 2. MAST ARM HEAT TREATED AFTER FABRICATION TO T6 CONDITION.
 3. ALL HARDWARE IS 300 SERIES STAINLESS STEEL, COATED WITH ANTI-SEIZE COMPOUND.

- NOTES:
1. REFER TO ROADWAY LIGHTING DETAIL FOR LIGHT POLE FOUNDATION DETAIL (BE-301).
 2. REFER TO ROADWAY LIGHTING DETAIL POLE WIRING DETAIL (BE-702)
 3. REFER TO ROADWAY LIGHTING DETAIL CONDUIT TRENCH - PHOTOCELL MOUNTING
 4. REFER TO DETAIL A ON THIS SHEET.
 5. SPAN LENGTH SHALL BE 6', 8', 10' OR 12'. REFER TO NOTE 13, SEE SHEET 487 FOR WHICH LENGTH.



DIRECTORY: I:\PROJECTS\118\KAC\DWG\64821\64821.DWG
 USER: NAME
 JASON DAVE