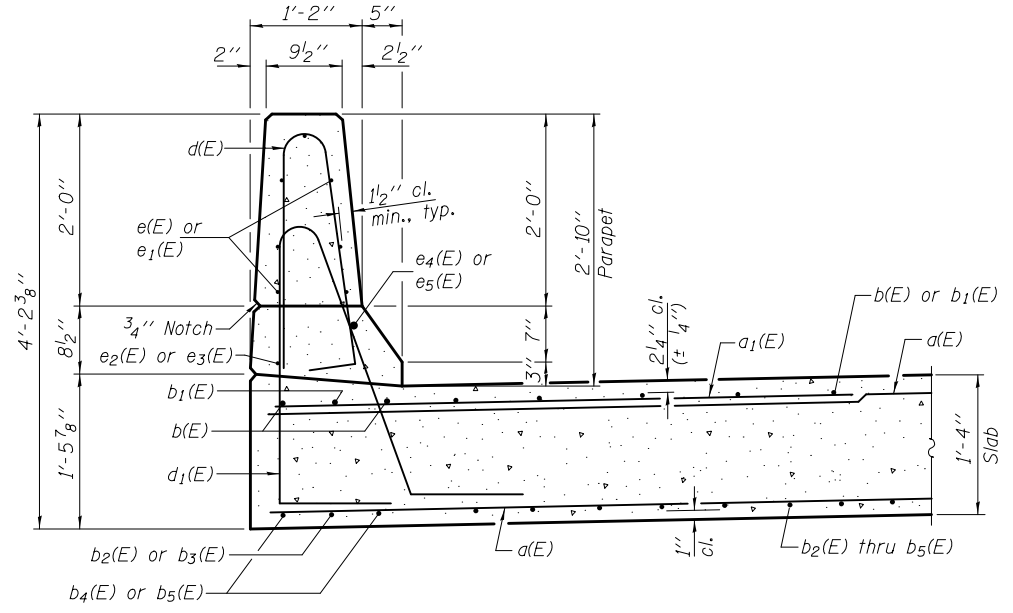
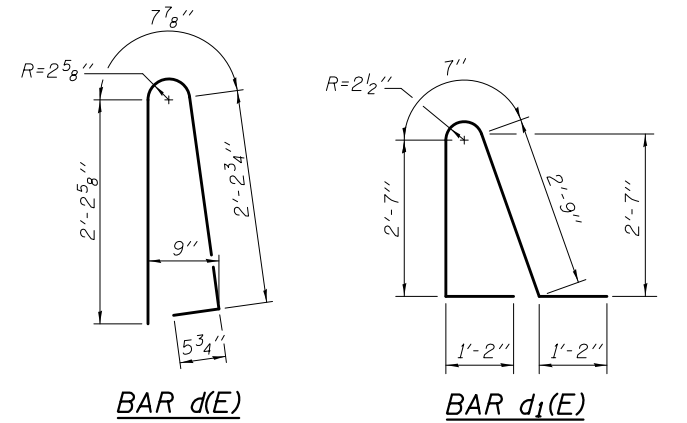
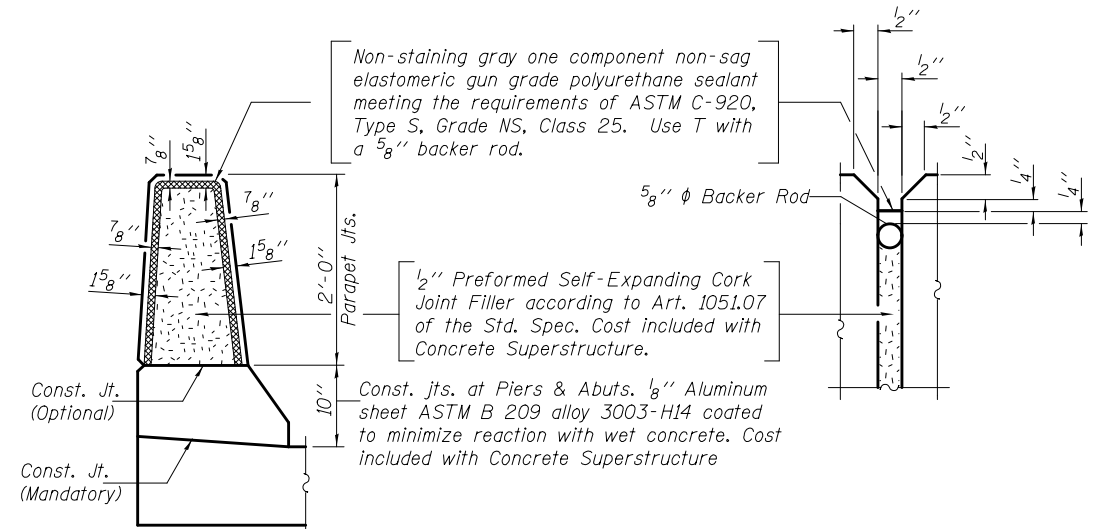


**INSIDE ELEVATION OF PARAPET**  
(North parapet - Looking north; South parapet similar)



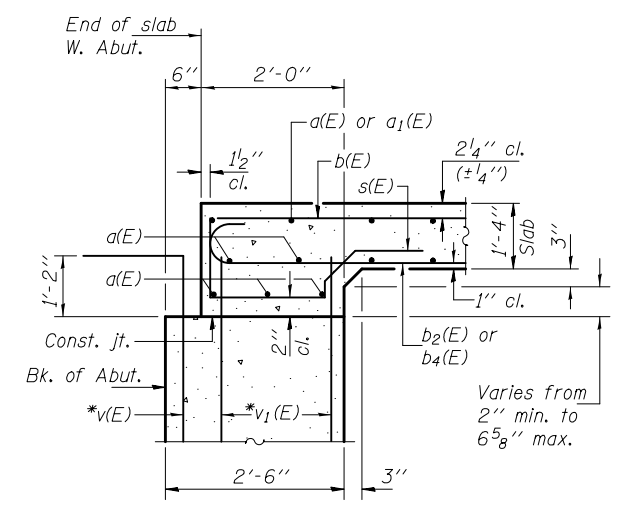
**SECTION THRU PARAPET**



**PARAPET JOINT DETAILS**

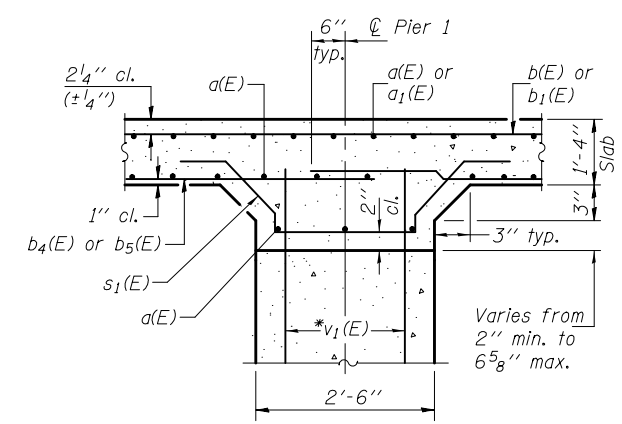
**BILL OF MATERIAL**

Bar	No.	Size	Length	Shape
a(E)	166	#5	42'-10"	—
a1(E)	128	#6	6'-6"	—
b(E)	88	#8	42'-6"	—
b1(E)	86	#8	33'-10"	—
b2(E)	86	#8	23'-7"	—
b3(E)	43	#8	23'-6"	—
b4(E)	88	#8	26'-1"	—
b5(E)	44	#8	32'-0"	—
d(E)	178	#5	5'-7"	—
d1(E)	178	#5	8'-3"	—
e(E)	56	#4	12'-1"	—
e1(E)	28	#4	15'-3"	—
e2(E)	4	#4	24'-5"	—
e3(E)	2	#4	30'-8"	—
e4(E)	4	#8	24'-5"	—
e5(E)	2	#8	30'-8"	—
s(E)	88	#5	5'-6"	—
s1(E)	88	#5	6'-8"	—
Reinforcement Bars, Epoxy Coated			Pound	49370
Concrete Superstructure			Cu. Yds.	199.9

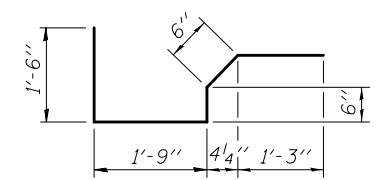
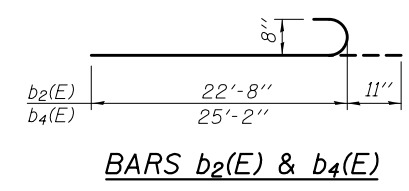


**SECTION A-A**

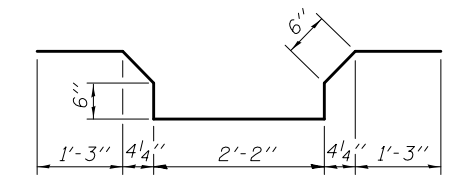
\*v(E) & v1(E) bars billed with abutments & piers



**SECTION B-B**



**BAR s(E)**



**BAR s1(E)**

DESIGNED - FESSEHA TEKLEHAIMANOT	EXAMINED - <i>Joanne F. [Signature]</i>	DATE - December 4, 2012
CHECKED - STEPHEN M. RYAN	PASSED - <i>Carl [Signature]</i>	REVISED
DRAWN - h.t. duong	ACTING ENGINEER OF BRIDGES AND STRUCTURES	REVISED
CHECKED - GRA/FT		

**STATE OF ILLINOIS**  
**DEPARTMENT OF TRANSPORTATION**

**SUPERSTRUCTURE DETAILS**  
**STRUCTURE NO. 037-0178**

SHEET NO. 8 OF 15 SHEETS

F.A.S. RT.	SECTION	COUNTY	TOTAL SHEETS	SHEET NO.
226	3T & 3BR-1	HENRY	210	49
CONTRACT NO. 64F25				
ILLINOIS FED. AID PROJECT				