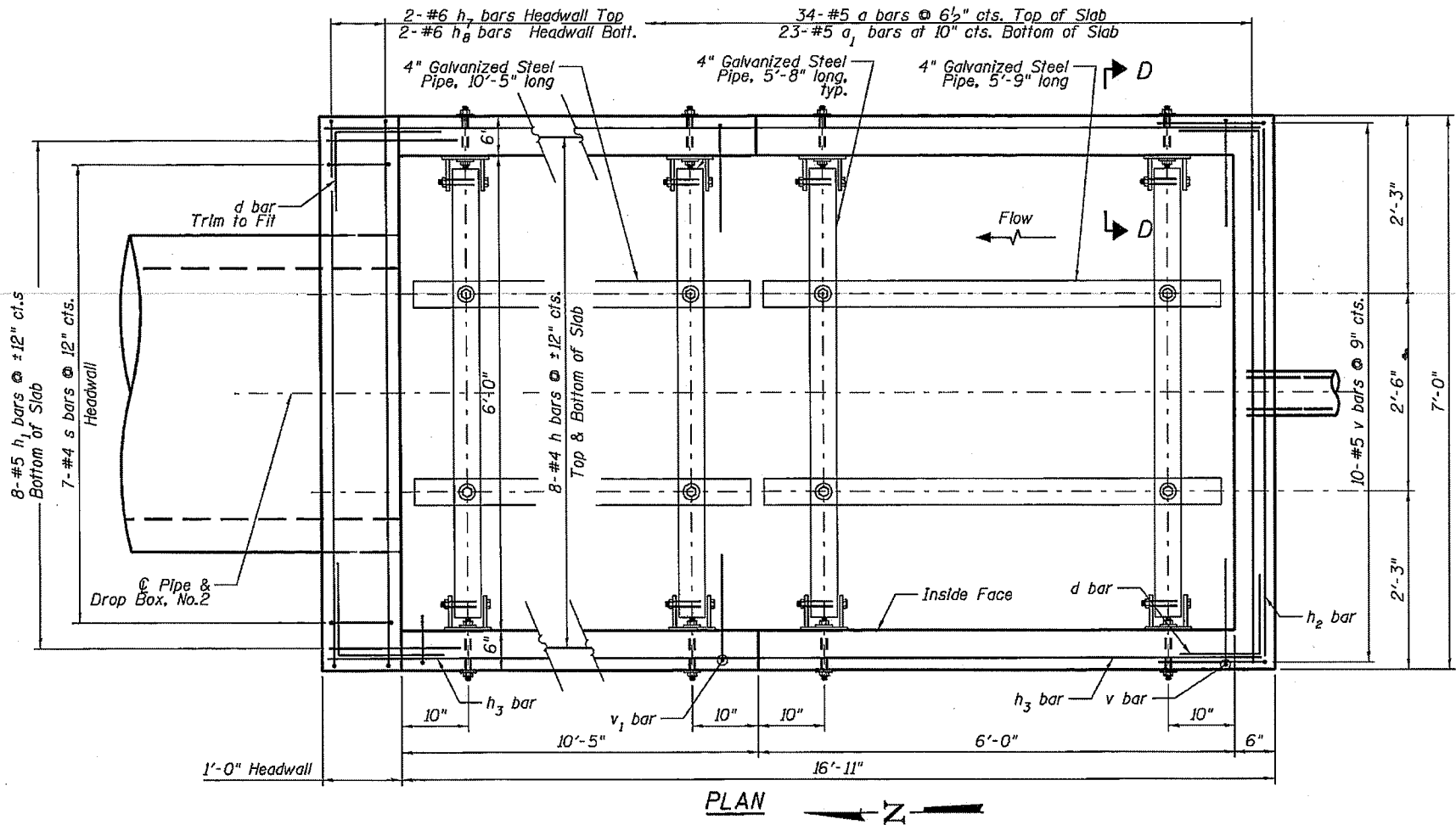


LONG SECTION

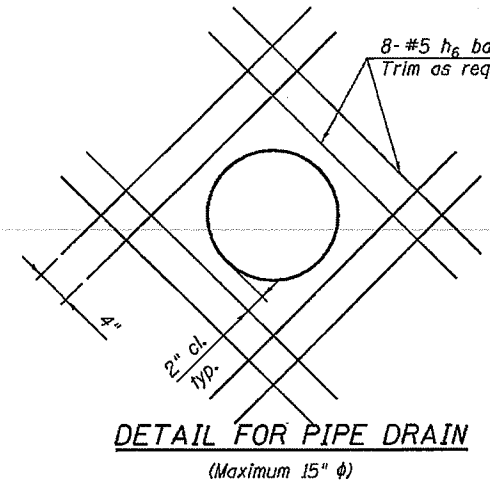
* Order v₁ bars full length. Cut to fit as shown and use remainder of bars in opposite wall.

GENERAL NOTES:

1. Reinforcement bars shall conform to the requirements of ASTM A 706 Gr 60.
2. All exposed concrete edges shall be chamfered 3/4" unless otherwise noted.
3. All construction joints shall be bonded.
4. The contract unit price "Each" for Drop Box, No. 2 shall include the Concrete Structures, Reinforcement Bars, earth excavation where required, backfilling and necessary grading to fit the structure as shown, or to the slope.
5. The contract unit price "Foot" for Traversable Pipe Grates shall include the steel pipe grate System, steel plates, bolts, nuts and washers.
6. Steel pipes shall conform to A.S.T.M. A-53 (Type E or S) Grade B, Schedule 40 & shall be galvanized conforming to A.S.T.M. A-120.
7. Steel plates shall conform to AASHTO M-183 & shall be galvanized conforming to AASHTO M-111.
8. Bolts, nuts, & washers shall be in accordance with Article 1006.08 of the Standard Specifications and shall be galvanized.
9. Contractor shall field verify galvanized pipe length.
10. The minimum distance from the center of a hole to the free edge of a structural shape or plate shall be 1 1/2" unless noted otherwise.
11. Bolts shall be snug tightened by a few impacts of an impact wrench or the full force of a worker using an ordinary spud wrench.
12. This work shall be done according to the applicable portions of 501, 503, 505, 508, and 540 of the Standard Specifications.
13. Fabrication of the Steel Pipe Grate System shall conform to the requirements in Section 505 of the Standard Specifications unless noted otherwise.
14. 8" pipe drain will be incorporated into the construction of the drop box wall. See Detail.



PLAN



DETAIL FOR PIPE DRAIN
(Maximum 15" φ)

DESIGN STRESSES

FIELD UNITS
f'c = 3,500 psi
fy = 60,000 psi (Reinforcement)

TOTAL BILL OF MATERIAL

ITEM	UNIT	TOTAL
Drop Box, No. 2	Each	1
Traversable Pipe Grates	Foot	55



David F. Maxwell, S.E. Reg. No. 081-005455
Date: 10/11/12
My registration expires November 30, 2012

**PLAN AND ELEVATION
DROP BOX NO. 2 RT
STATION 339+15**

C:\Users\jgarcia\OneDrive\Documents\CAD\192220\14\CAD_Sheets\64F25_Plan and Elev.No.2.dgn



USER NAME = STLCDesignConsultant	DESIGNED - KJB	REVISED -
PLLOT SCALE = NTS	CHECKED - DFM	REVISED -
PLLOT DATE = 10/11/2012	DRAWN - KJB	REVISED -
	CHECKED - DFM	REVISED -

**STATE OF ILLINOIS
DEPARTMENT OF TRANSPORTATION**

**PLAN AND ELEVATION
DROP BOX NO. 2**
SHEET NO. 5-1 OF 5-2 SHEETS

F.A.S. RTE.	SECTION	COUNTY	TOTAL SHEETS	SHEET NO.
226	(3T & 3) BR-1	HENRY	210	66
			CONTRACT NO. 64F25	
ILLINOIS FED. AID PROJECT				