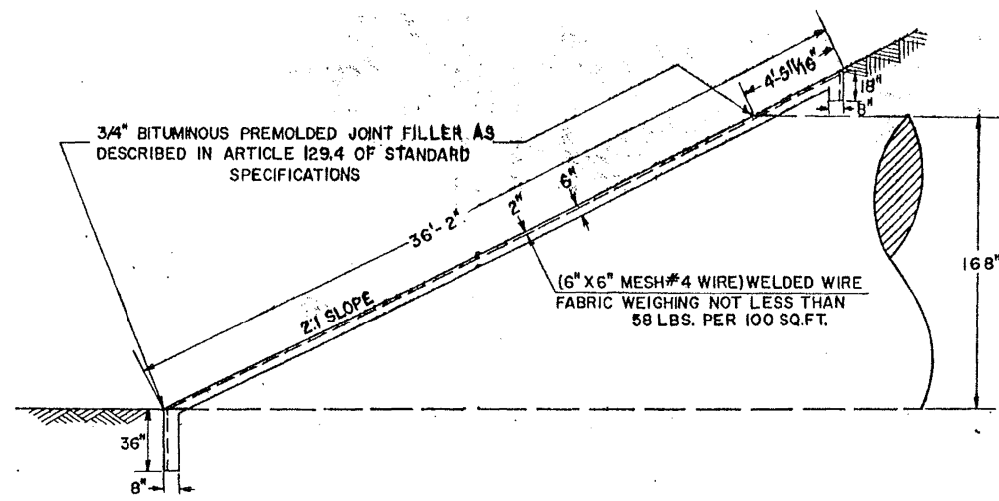
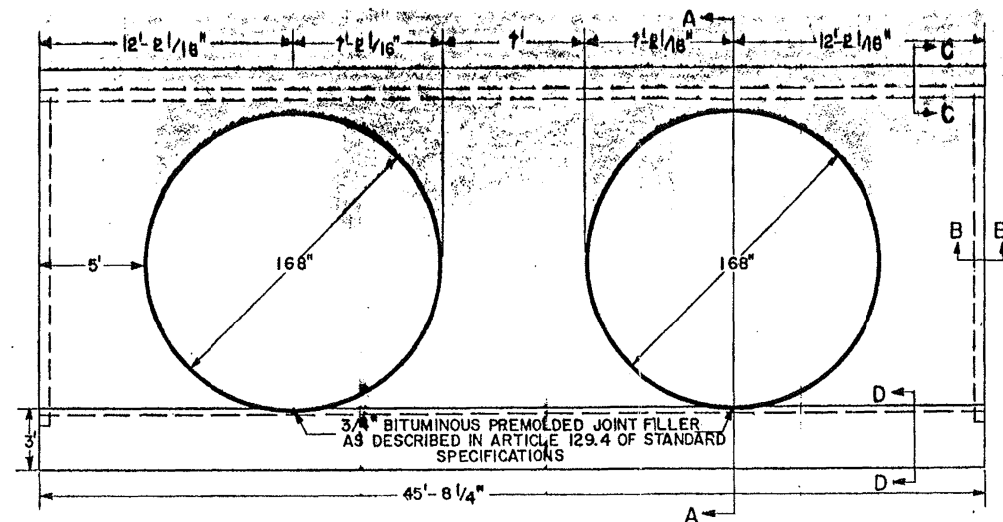


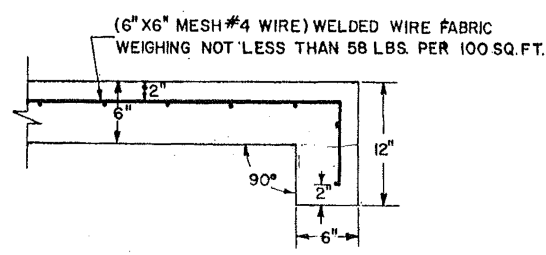
ROUTE NO.	SECTION	COUNTY	TOTAL SHEETS	SHEET NO.
74	37-2-1	HENRY	166	31
FED. ROAD DIST. NO.		ILLINOIS	FED. AID PROJECT	



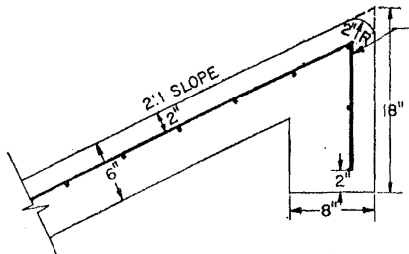
SECTION A-A
SCALE: 1/4"=1'



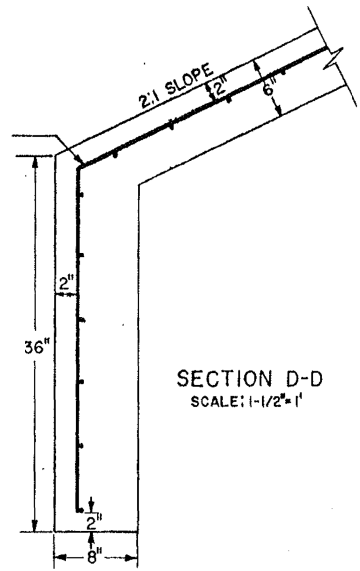
ELEVATION
SCALE: 1/4"=1'



SECTION B-B
SCALE: 1-1/2"=1'



SECTION C-C
SCALE: 1-1/2"=1'



SECTION D-D
SCALE: 1-1/2"=1'

NOTE: 3/4" BITUMINOUS PREMOLDED JOINT FILLER AS DESCRIBED IN ARTICLE 129.4 OF STANDARD SPECIFICATIONS, SHALL BE INCLUDED IN THE BID PRICE PER SQUARE YARD FOR SLOPEWALL, SPECIAL.

QUANTITIES FOR TWO SLOPEWALLS, SPECIAL
TOTAL: 349 SQUARE YARDS SLOPEWALL

NOTE:
CLASS X CONCRETE SHALL BE USED THROUGHOUT. THE COST OF FURNISHING AND INSTALLING THE WELDED WIRE FABRIC SHALL BE INCLUDED IN THE CONTRACT UNIT PRICE PER SQUARE YARD FOR SLOPEWALL.

DETAIL OF SLOPEWALL, SPECIAL FOR TWIN CORRUGATED METAL PLATE PIPE CULVERT-168 IN. DIA.
F.A.I. ROUTE NO. 74 SECTION 37-2-1
HENRY COUNTY, MUD CREEK
STATION 944 + 50
SCALE: AS NOTED DATE:

FILE NAME = W:\Projects\2010\100120 PTB 157\25\cadd\Civil\Drawn\08\Shet\0264080-ahf-misc7.dgn

WBK WILLS BURKE KELSEY ASSOCIATES LTD.
116 West Main Street, Suite 201
St. Charles, Illinois 60174

USER NAME = nparris	DESIGNED -	REVISED -
PLOT SCALE = 1/4"=1'	DRAWN -	REVISED -
PLOT DATE = 1/29/2013	CHECKED -	REVISED -
	DATE -	REVISED -

STATE OF ILLINOIS
DEPARTMENT OF TRANSPORTATION

EXISTING STRUCTURE PLANS FOR REFERENCE ONLY	
SCALE:	SHEET NO. 7 OF 7 SHEETS STA. TO STA.

F.A.I. RTE.	SECTION	COUNTY	TOTAL SHEETS	SHEET NO.
74/280	(37-2-1M)	HENRY	27	21
CONTRACT NO. 64680			ILLINOIS FED. AID PROJECT	

FOR REFERENCE ONLY