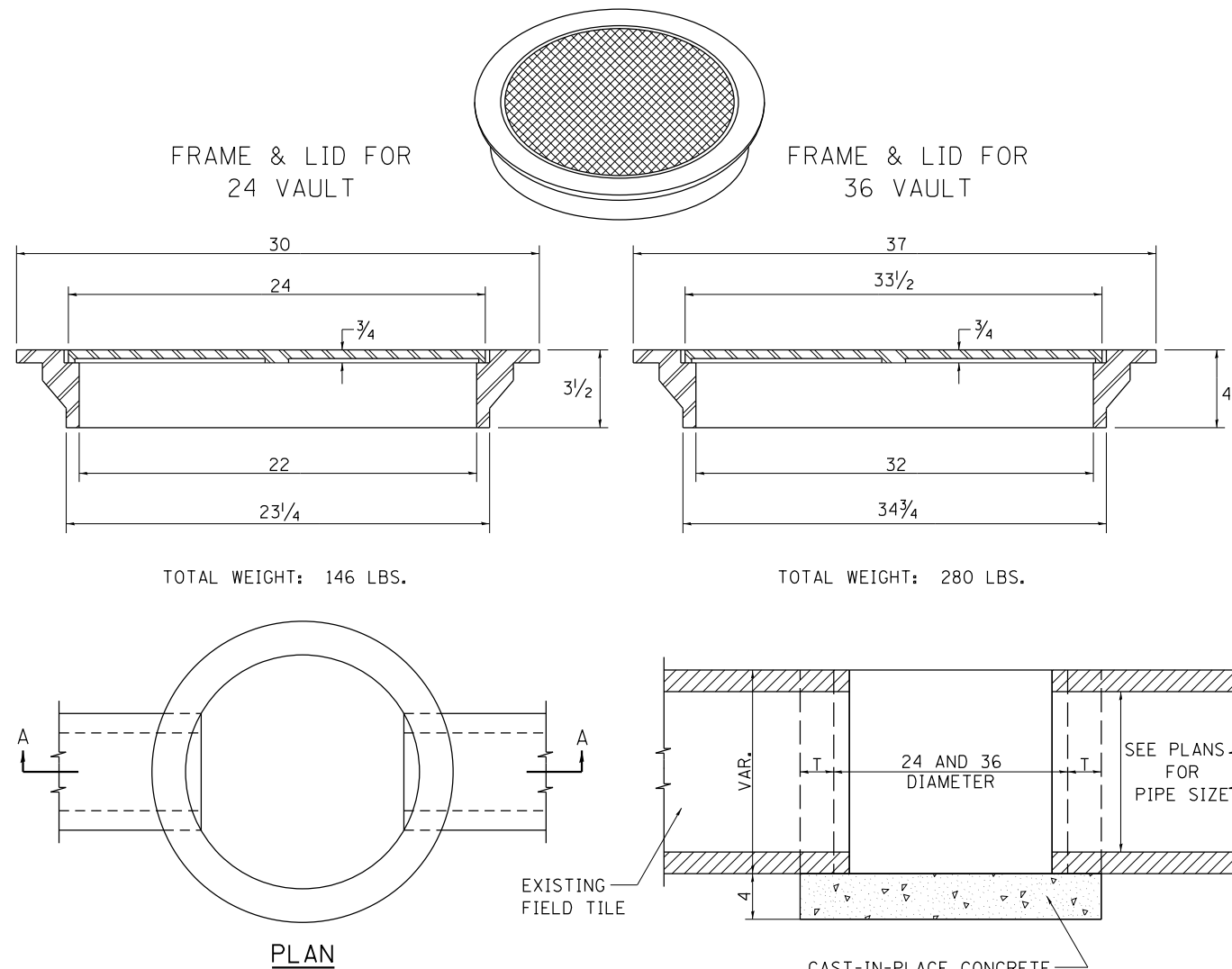


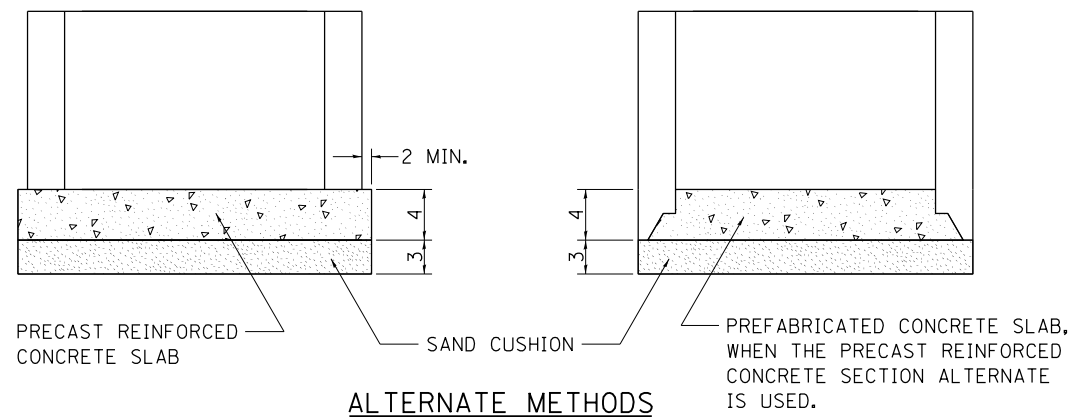
FIELD TILE JUNCTION VAULTS 24 AND 36 DIA.



ALTERNATE MATERIALS FOR WALLS	T
BRICK MASONRY	8
CAST-IN-PLACE CONCRETE	6
CONCRETE MASONRY UNIT	5
PRECAST REINFORCED CONCRETE SECTION	3

NOTE: THE FRAME AND LID IS REQUIRED ON ALL JUNCTION VAULTS.

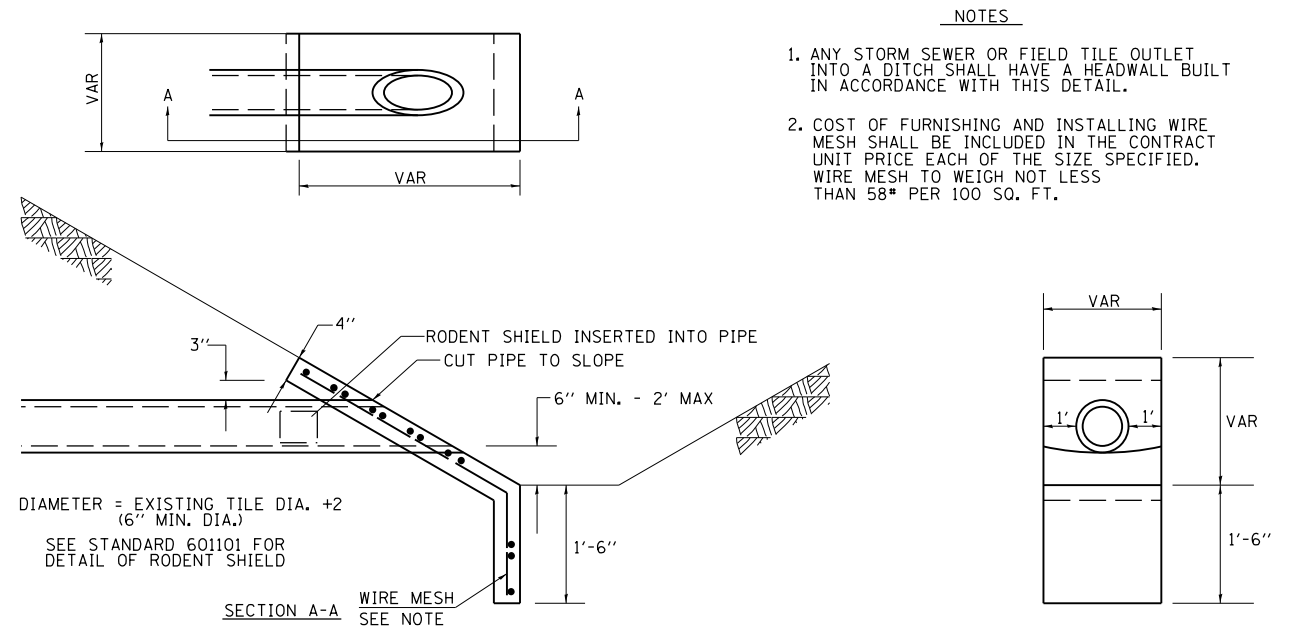
ALL DIMENSIONS ARE IN INCHES UNLESS OTHERWISE NOTED.



REVISED - 10-14-11

FIELD TILE JUNCTION VAULTS 24 AND 36 DIA. 30.2

CAST-IN-PLACE REINFORCED CONCRETE END SECTIONS



CAST-IN-PLACE REINFORCED CONCRETE END SECTIONS 28.4

REVISED -	REGION 2 / DISTRICT 2 STANDARD				F.A.I. RTE.	SECTION	COUNTY	TOTAL SHEETS	SHEET NO.
REVISED -					74/280	(37-2-1)M	HENRY	27	23
REVISED -					CONTRACT NO.64G80				
REVISED -	SCALE:	SHEET NO.	OF SHEETS	STA.	TO STA.	ILLINOIS FED. AID PROJECT			

PLOT DATE = 1/29/2013