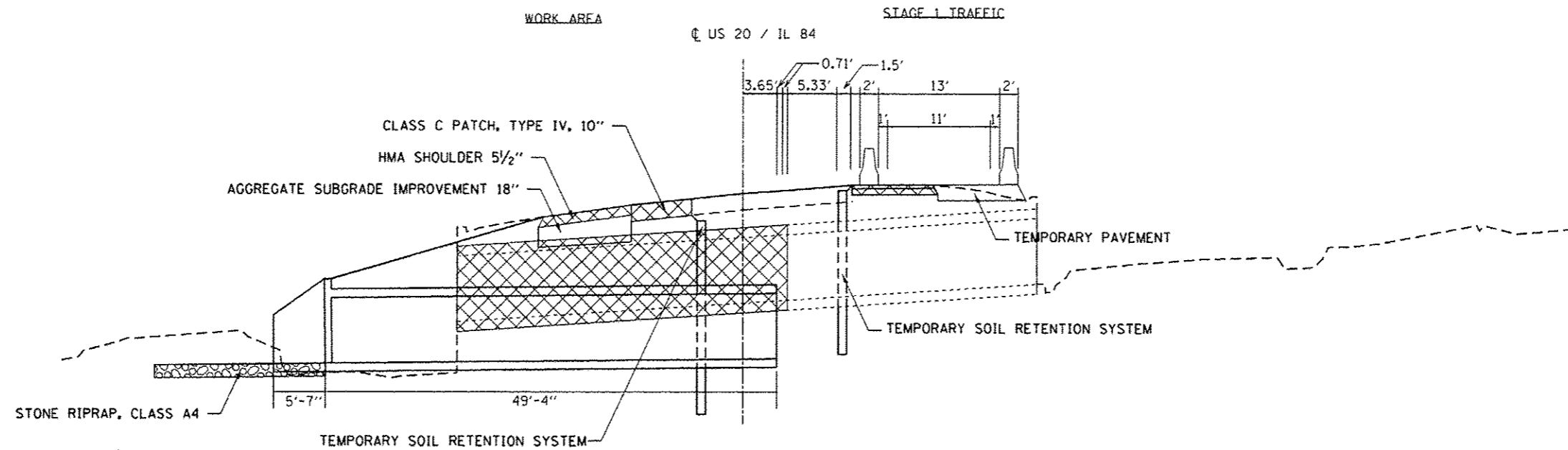
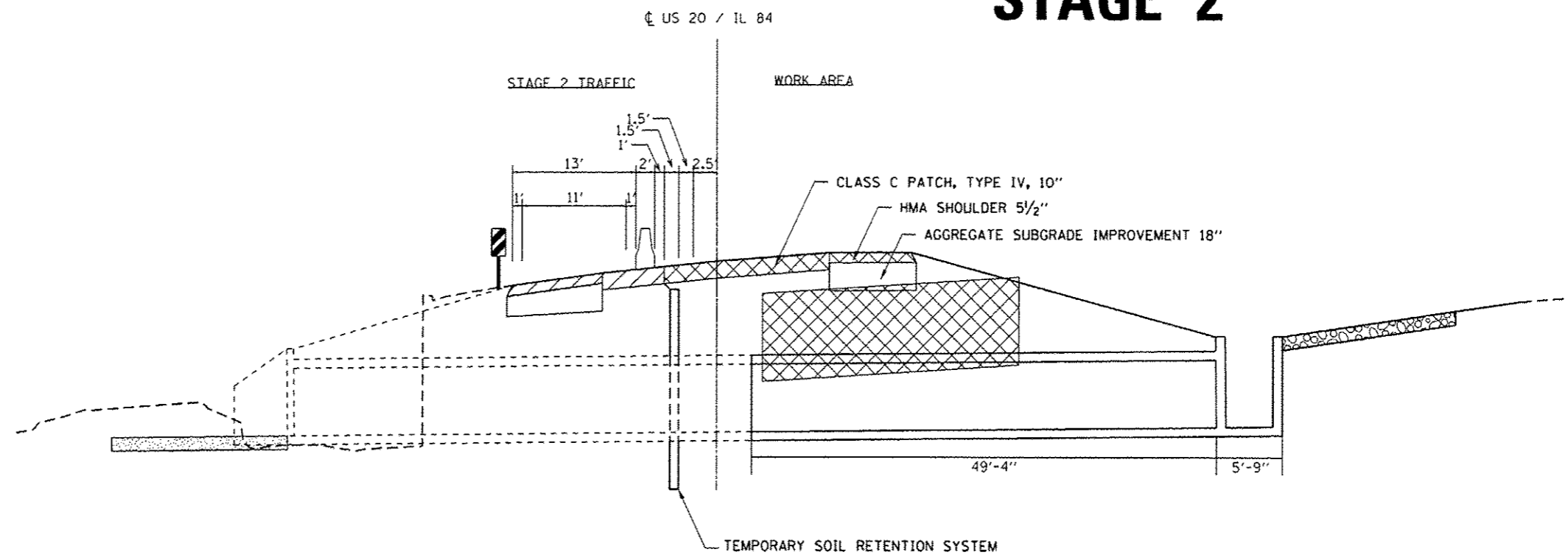


# STAGING TYPICALS

## STAGE 1



## STAGE 2



FILE NAME :	USER NAME :	DESIGNED -	REVISED -	<b>STATE OF ILLINOIS DEPARTMENT OF TRANSPORTATION</b>	<b>STAGING DETAILS</b>			F.A.P. RTE.	SECTION	COUNTY	TOTAL SHEETS	SHEET NO.
cr:\pwwork\psidot\hardnet\b-08277919\080711-akt-staging.dgn	hardnet	DRAWN -	REVISED -					301	291-2	JO DAVIESS	52	19
Default	PLOT SCALE * 100.0000' / in.	CHECKED -	REVISED -		SCALE: SHEET OF SHEETS STA. TO STA.			CONTRACT NO. 64H17				
	PLOT DATE * Mon Dec 10 14:19:56 2012	DATE -	REVISED -		ILLINOIS FED. AID PROJECT							