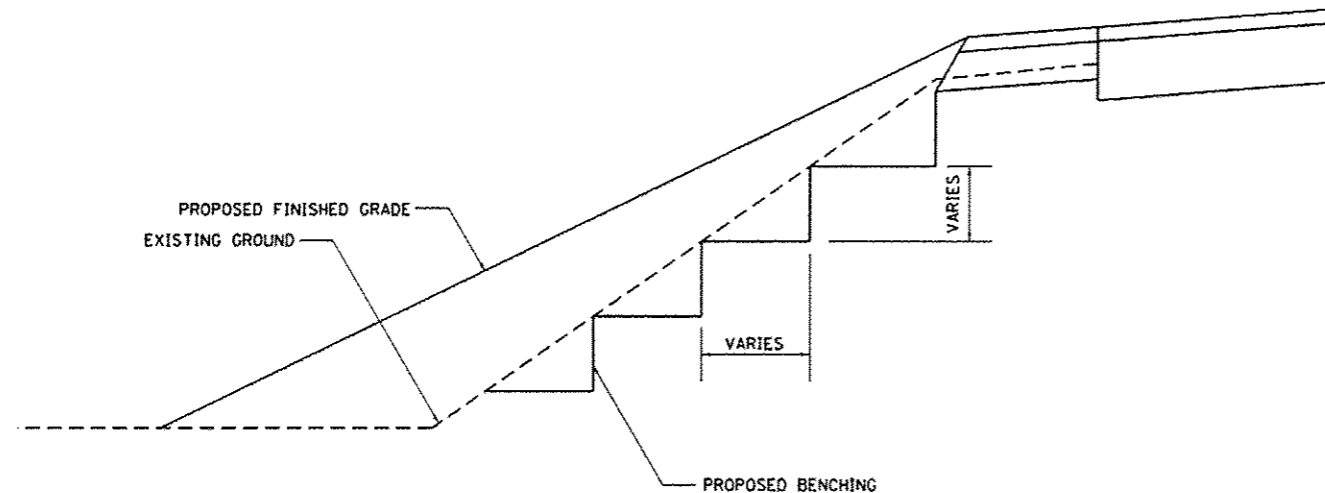


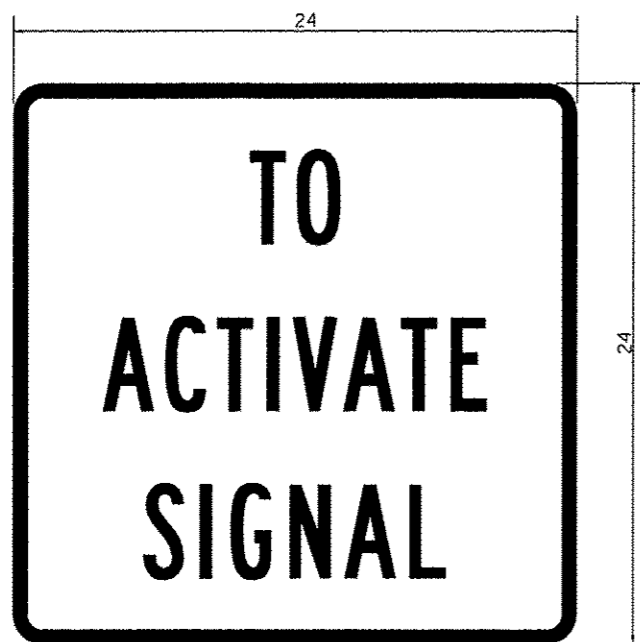
TYPICAL BENCHING ON EXISTING EMBANKMENT



REVISED - 2-22-06

TYPICAL BENCHING ON EXISTING EMBANKMENT 50.4

STOP LINE SIGN FOR TEMPORARY SIGNALS



SIZE: 24 x 24
 4 CAPITAL LETTERS - BLACK
 1/2 BORDER - BLACK
 WHITE REFLECTIVE - TYPE AP
 HIGH INTENSITY PRISMATIC SHEETING

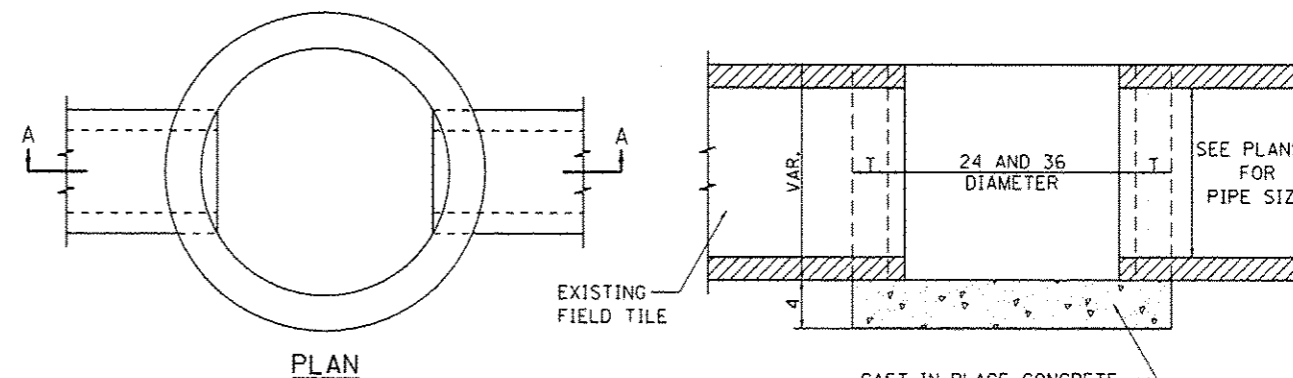
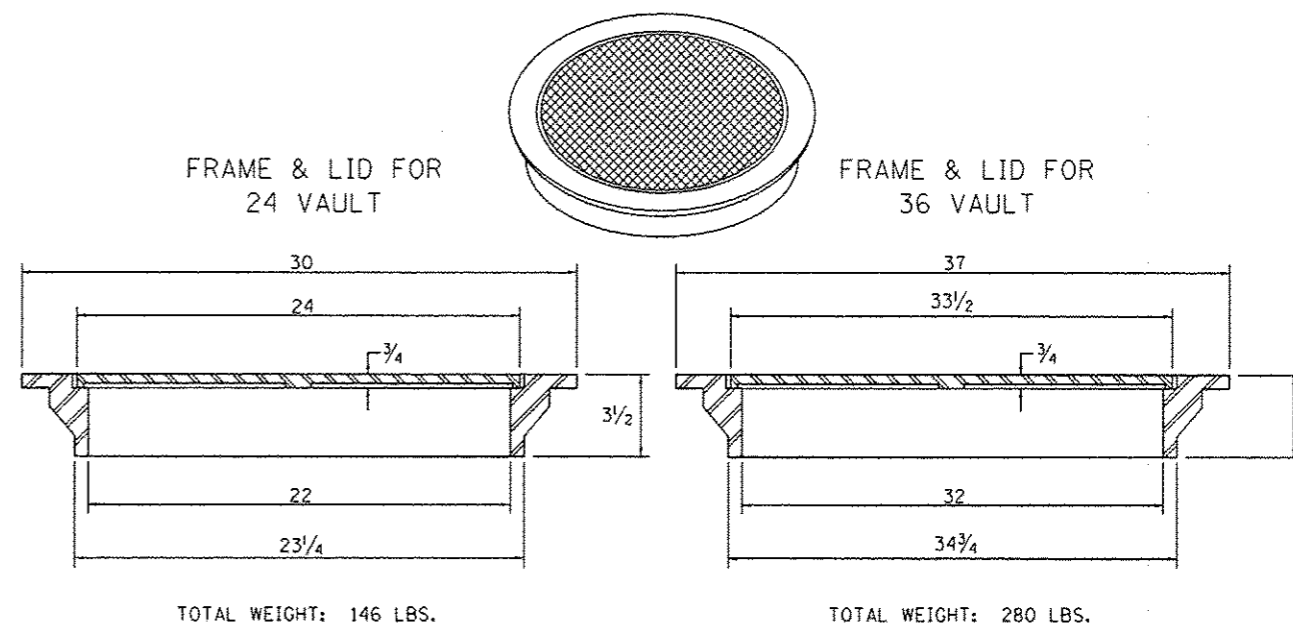
GENERAL NOTE:

THIS SIGN SHALL BE INSTALLED AT THE STOP LINE AS DIRECTED BY ENGINEER.
 ALL DIMENSIONS ARE IN INCHES UNLESS OTHERWISE NOTED.

REVISED - 10-11-11

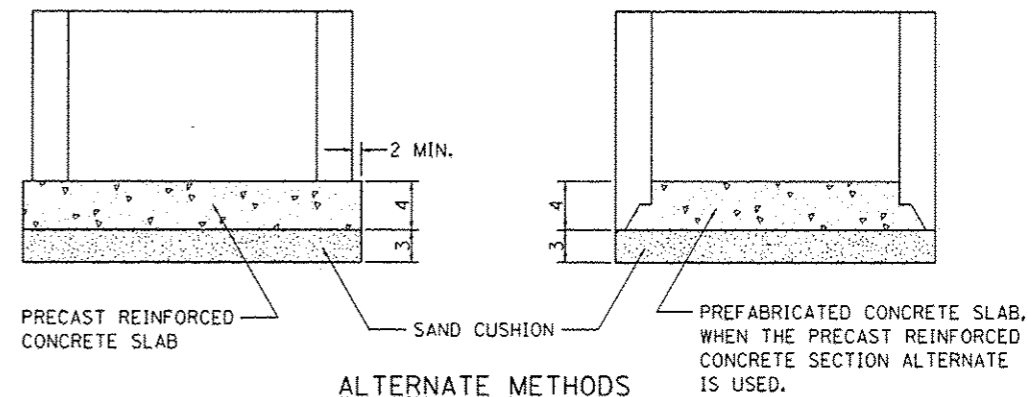
STOP LINE SIGN FOR TEMPORARY SIGNALS 99.4

FIELD TILE JUNCTION VAULTS 24 AND 36 DIA.



ALTERNATE MATERIALS FOR WALLS	T
BRICK MASONRY	8
CAST-IN-PLACE CONCRETE	6
CONCRETE MASONRY UNIT	5
PRECAST REINFORCED CONCRETE SECTION	3

ALL DIMENSIONS ARE IN INCHES UNLESS OTHERWISE NOTED.



ALTERNATE METHODS

REVISED - 10-14-11	REGION 2 / DISTRICT 2 STANDARD	F.A.P. RTE.	SECTION	COUNTY	TOTAL SHEETS	SHEET NO.
REVISED -		301	29T-2	JO DAVIESS	52	32
REVISED -		CONTRACT NO. 64H17				
REVISED -		SCALE: 100.0000	SHEET NO. OF SHEETS		STA. TO STA.	FED. ROAD DIST. NO.

FIELD TILE JUNCTION VAULTS 24 AND 36 DIA. 30.2