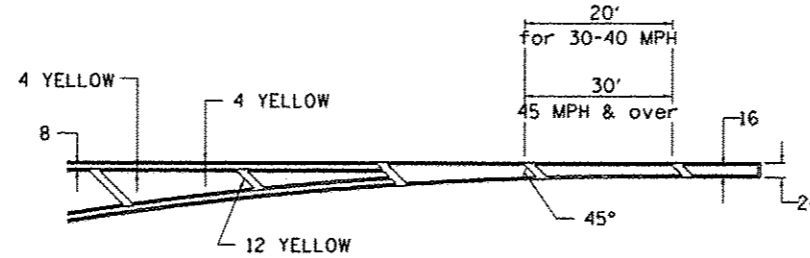
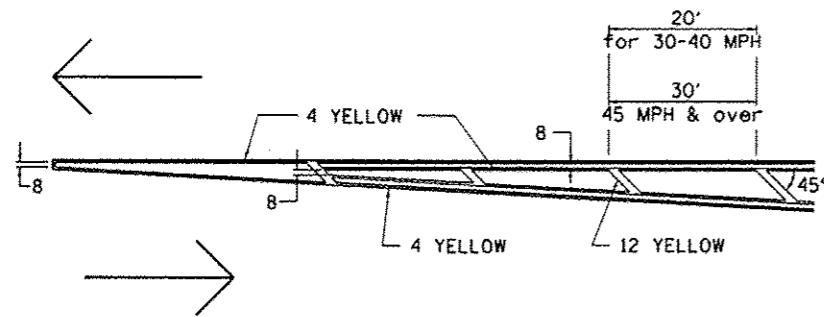
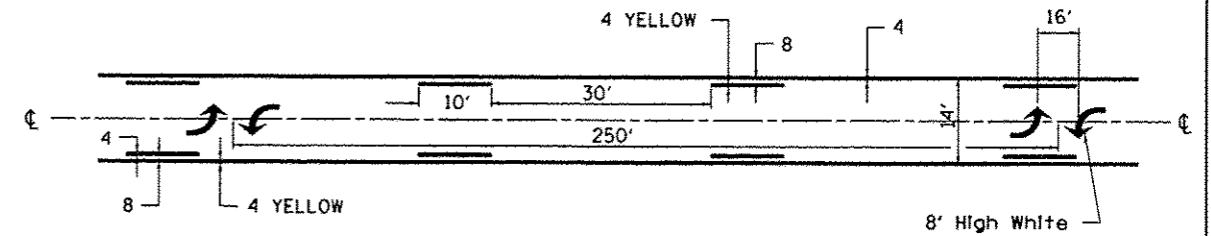


TYPICAL PAVEMENT MARKINGS

TYPICAL PAVEMENT MARKING FOR FLUSH MEDIAN AT LEFT TURN LANE

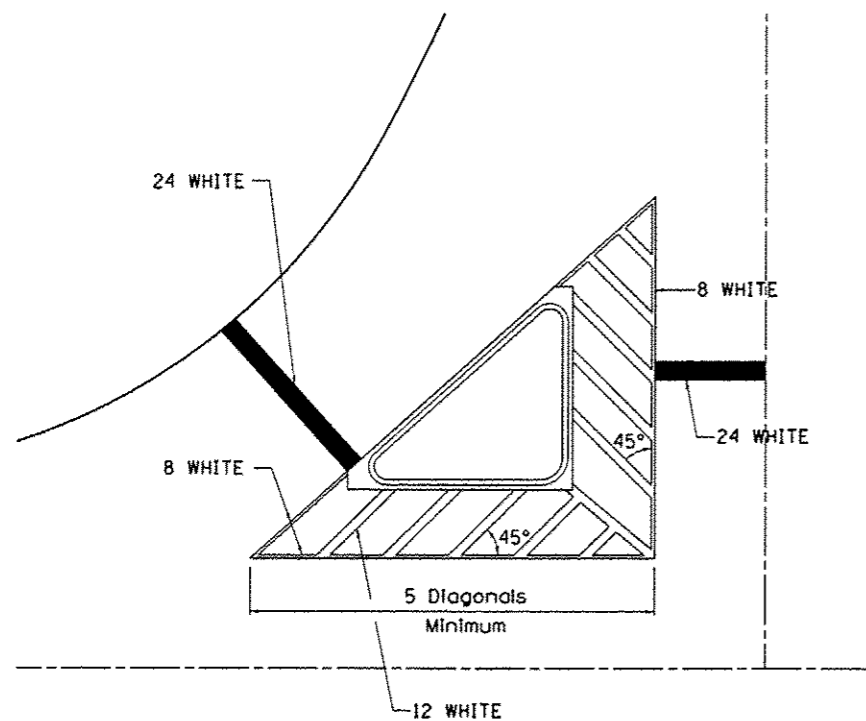


MEDIAN PAVEMENT MARKING

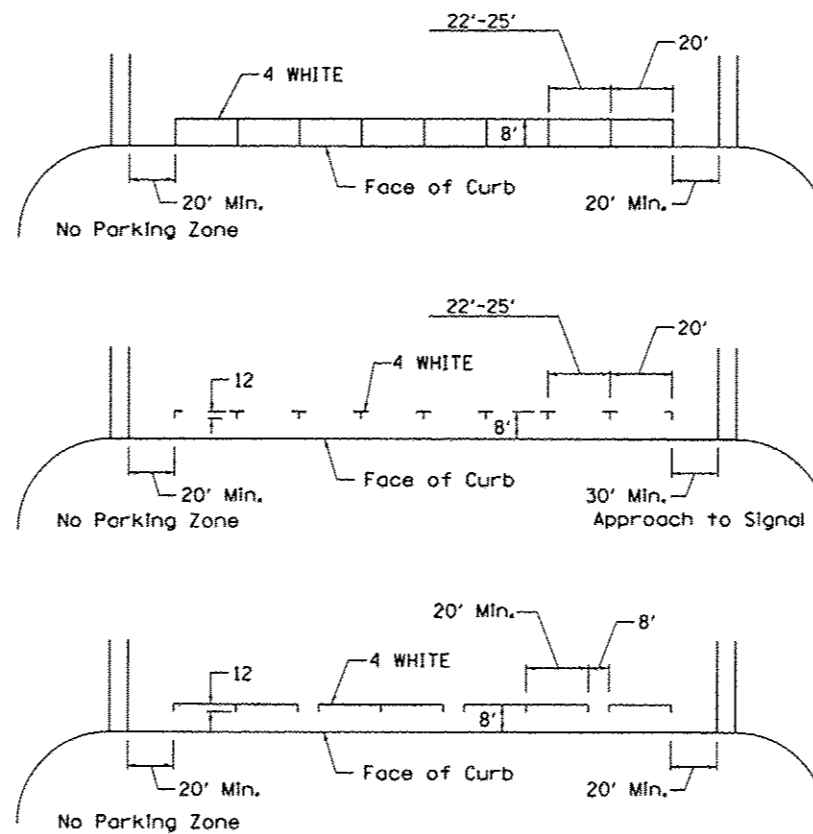


•• ALL DIMENSIONS ARE IN INCHES UNLESS OTHERWISE NOTED.

TYPICAL ISLAND OFFSET SHOULDER WIDTH

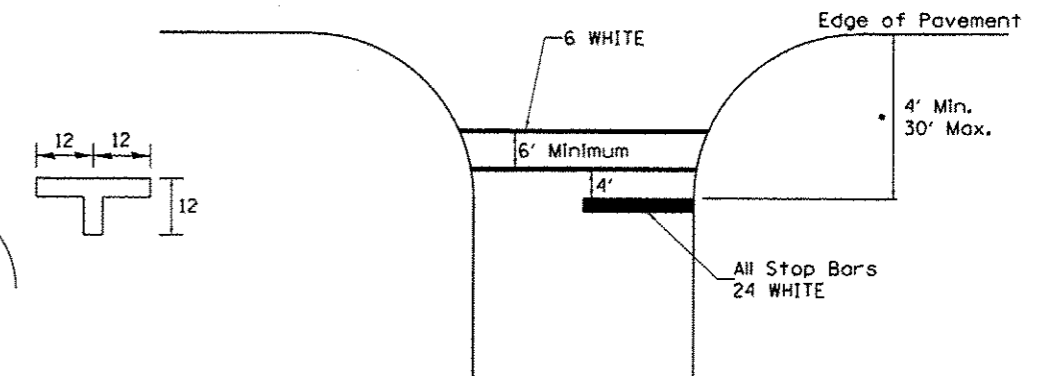


TYPICAL PARKING SPACING



STANDARD CROSSWALK MARKING

See Schedules for Locations



• Distance to the nearest edge of the intersecting roadway in the absence of a marked crosswalk.

FILE NAME :	USER NAME : hardnetbr	DESIGNED -	REVISED - 3-05-12	STATE OF ILLINOIS DEPARTMENT OF TRANSPORTATION	REGION 2 / DISTRICT 2 STANDARD	F.A.P. RTE.	SECTION	COUNTY	TOTAL SHEETS	SHEET NO.
c:\pwork\pvidot\hardnetbr\08277919\08277911-gh-cover.dgn	DRAWN -	REVISED -	301			29T-2	JO DAVIESS	52	37	
PLOT SCALE : 100.0000 / in.	CHECKED -	REVISED -	CONTRACT NO. 64H17							
PLOT DATE : Mon Dec 18 13:33:20 2012	DATE -	REVISED -	FED. ROAD DIST. NO. [ILLINOIS] FED. AID PROJECT							