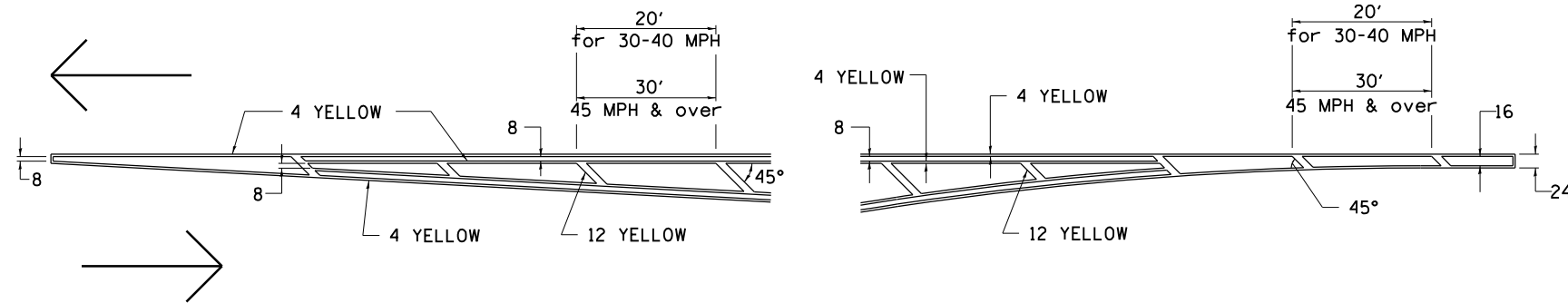
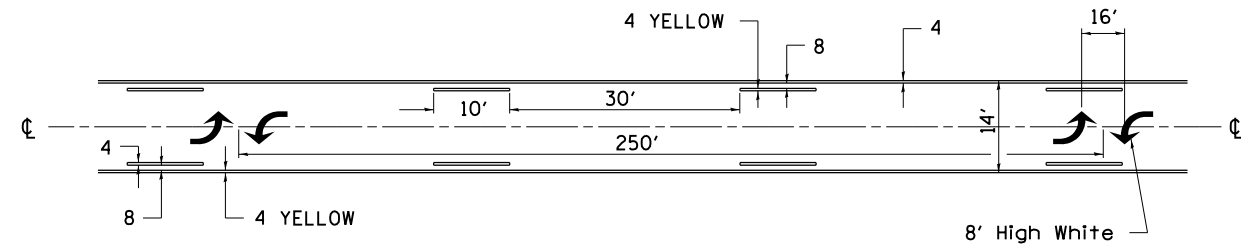


TYPICAL PAVEMENT MARKINGS

TYPICAL PAVEMENT MARKING FOR FLUSH MEDIAN AT LEFT TURN LANE

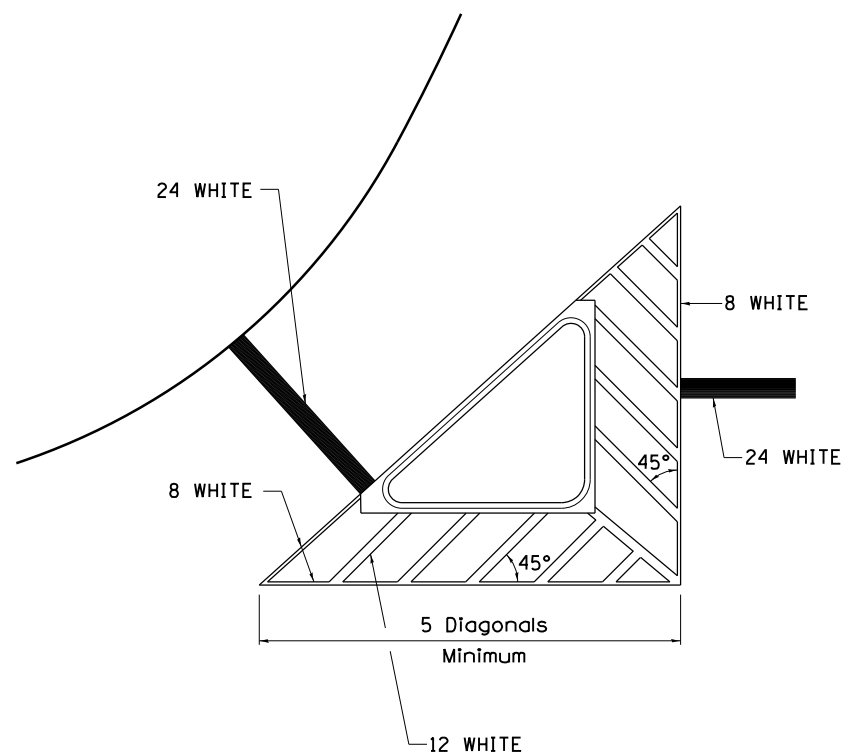


MEDIAN PAVEMENT MARKING

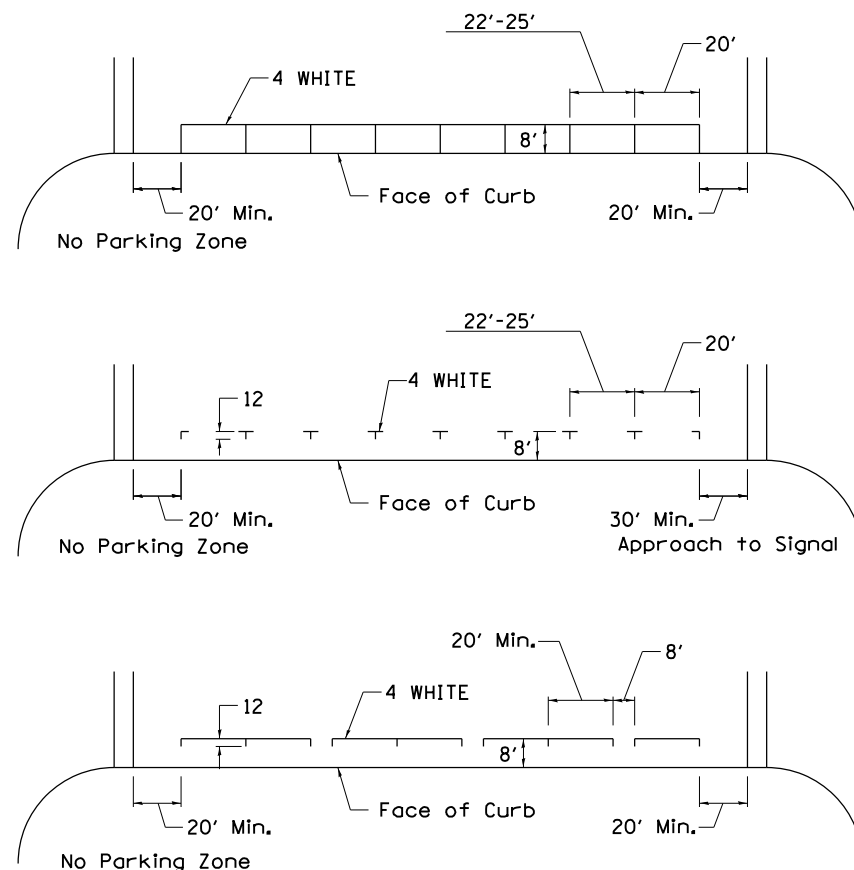


•• ALL DIMENSIONS ARE IN INCHES UNLESS OTHERWISE NOTED.

TYPICAL ISLAND OFFSET SHOULDER WIDTH

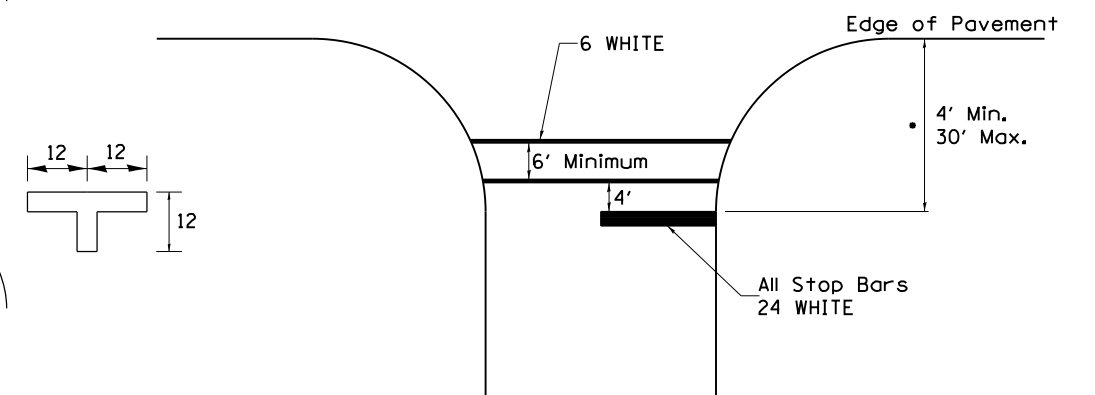


TYPICAL PARKING SPACING



STANDARD CROSSWALK MARKING

See Schedules for Locations



• Distance to the nearest edge of the intersecting roadway in the absence of a marked crosswalk.

USER NAME = bortesc	DESIGNED -	REVISED - 3-5-12
	DRAWN -	REVISED -
PLOT SCALE = 12000.024' / in.	CHECKED -	REVISED -
PLOT DATE = Wed Nov 14 12:05:11 2012	DATE -	REVISED -

F.A.I. RTE.	SECTION	COUNTY	TOTAL SHEETS	SHEET NO.
I-39	D2 Deck Repair 2013-3	OGLE	18	5
CONTRACT NO.64H98				