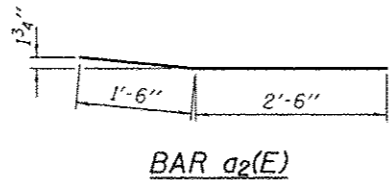


PARTIAL REMOVAL PLAN

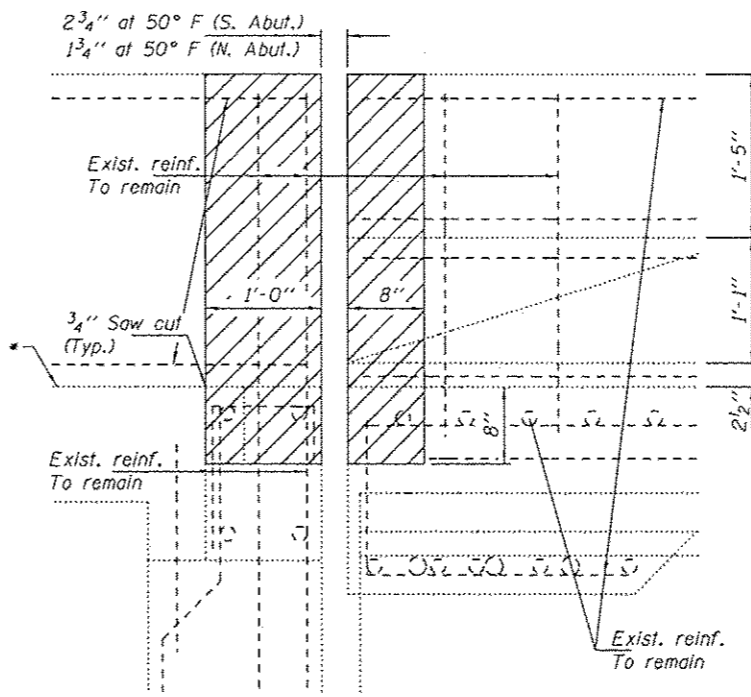
Hatched areas indicate removal.

PARTIAL REPLACEMENT PLAN

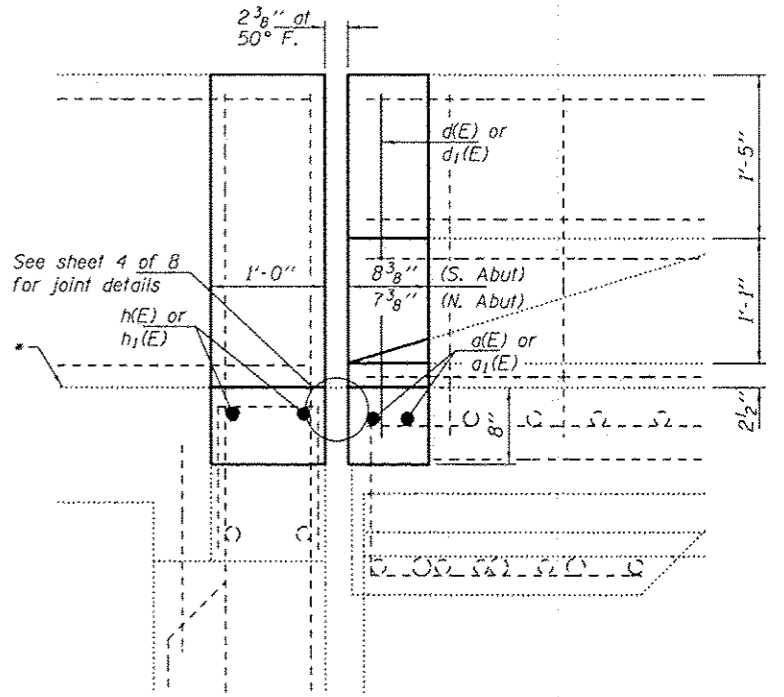
Note:
071-0048 shown.
071-0049 similar by rotation.



BAR a₂(E)

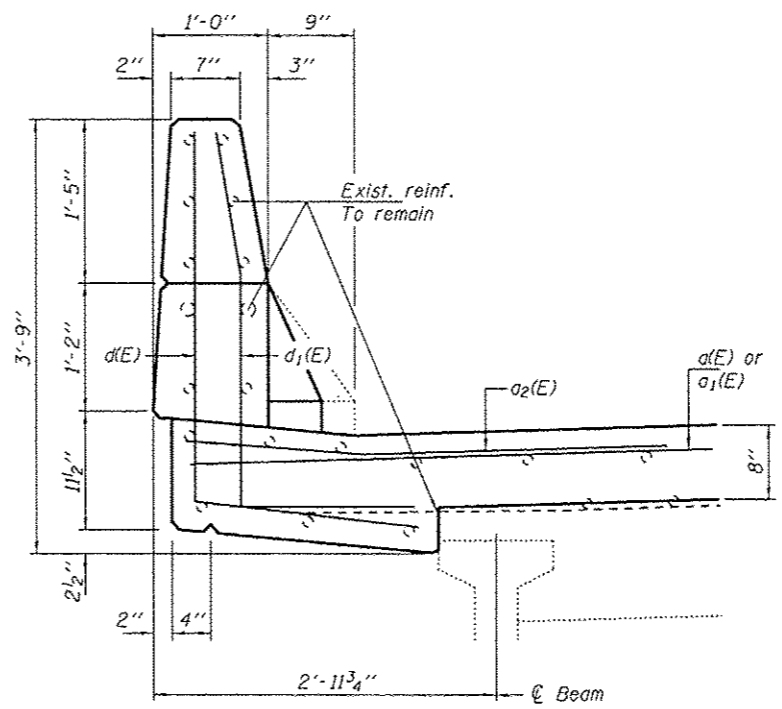


SECTION A-A

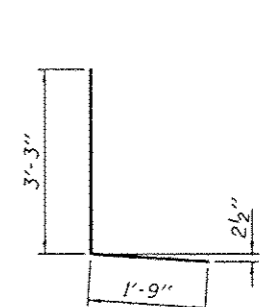


SECTION B-B

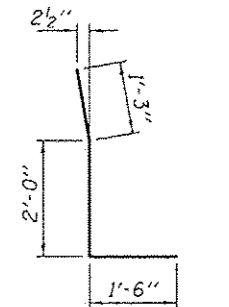
The District will provide details for HMA removal and replacement at this location.



SECTION THRU CURB



BAR d(E)



BAR d₁(E)

BILL OF MATERIAL

Bar	No.	Size	Length	Shape
d(E)	8	#6	18'-8"	—
a ₁ (E)	8	#6	22'-8"	—
a ₂ (E)	8	#6	4'-0"	—
d(E)	8	#4	5'-0"	L
d ₁ (E)	8	#5	4'-9"	L
h(E)	8	#6	18'-8"	—
h ₁ (E)	8	#6	22'-8"	—
Concrete Removal			Cu. Yd.	8.0
Concrete Superstructure			Cu. Yd.	8.0
Reinforcement Bars, Epoxy Coated			Pounds	1100