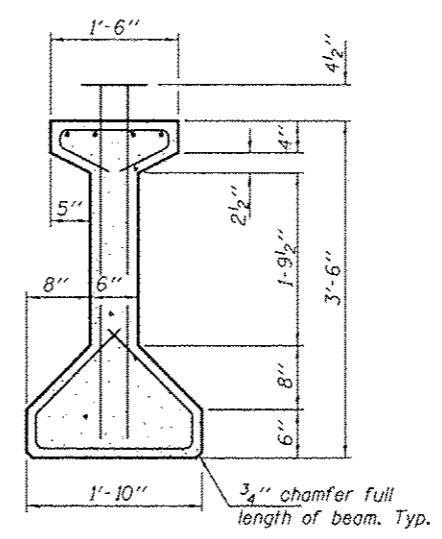
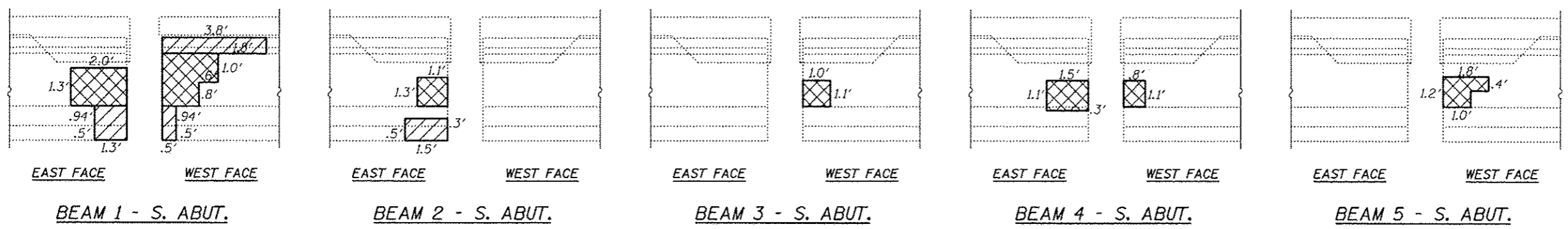
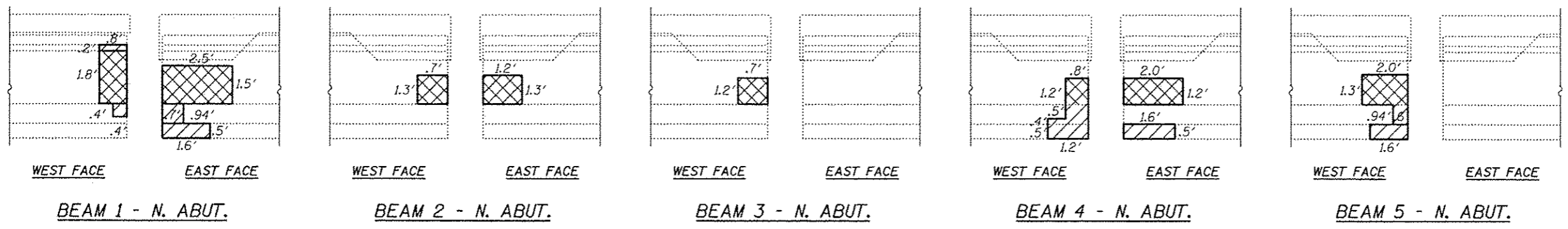


PARTIAL FRAMING PLAN



BEAM DIMENSIONS



- Polymer Modified Portland Cement Mortar
- Structural Repair of Concrete ≤ 5 inches

BILL OF MATERIAL

ITEM	UNIT	QUANTITY
Structural Repair of Concrete ≤ 5 inches	Sq. Ft.	12.9
Polymer Modified Portland Cement Mortar	Sq. Ft.	26.6

DESIGNED IJL
 CHECKED MKC
 DRAWN balva
 CHECKED IJL MKC

EXAMINED *Timothy A. Anzani*
 ACTING ENGINEER OF STRUCTURAL SERVICES
 PASSED *Carl Perry*
 ACTING ENGINEER OF BRIDGES AND STRUCTURES
 DATE JANUARY 28, 2013
 REVISED
 REVISED

STATE OF ILLINOIS
 DEPARTMENT OF TRANSPORTATION

REPAIR DETAILS
 SN 071-0048

SHEET NO. 5 OF 8 SHEETS

F.A.I. RTE.	SECTION	COUNTY	TOTAL SHEETS	SHEET NO.
39	02 DECK REPAIR 2013-3	OGLE	18	15

CONTRACT NO. 64H95
 ILLINOIS FED. AID PROJECT