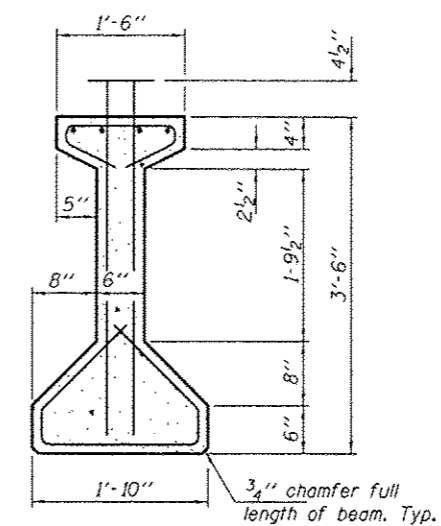
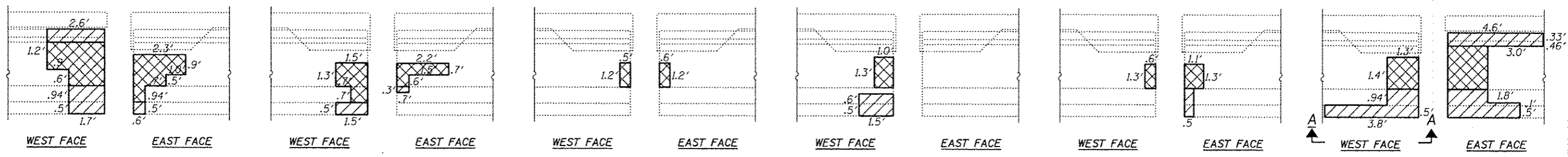


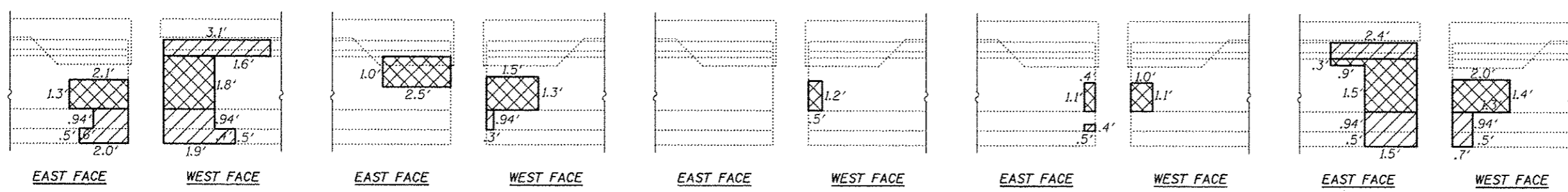
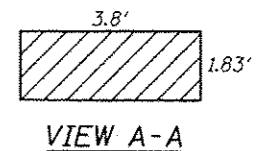
PARTIAL FRAMING PLAN



BEAM DIMENSIONS



BEAM 1 - N. ABUT. BEAM 2 - N. ABUT. BEAM 3 - N. ABUT. BEAM 4 - N. ABUT. BEAM 5 - N. ABUT. BEAM 6 - N. ABUT.



BEAM 1 - S. ABUT. BEAM 2 - S. ABUT. BEAM 3 - S. ABUT. BEAM 4 - S. ABUT. BEAM 6 - S. ABUT.

- Polymer Modified Portland Cement Mortar
- Structural Repair of Concrete ≤ 5 inches

BILL OF MATERIAL SN 071-0049

ITEM	UNIT	QUANTITY
Structural Repair of Concrete ≤ 5 inches	Sq. Ft.	25.6
Polymer Modified Portland Cement Mortar	Sq. Ft.	40.9