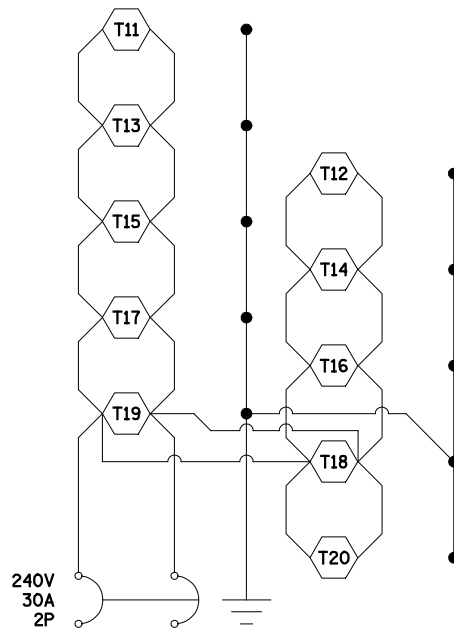
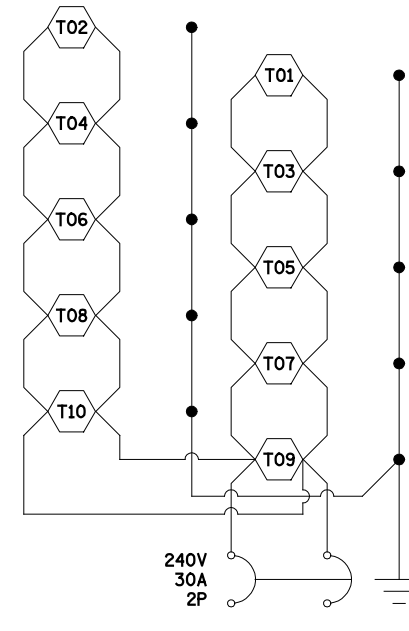


CIRCUIT 1  
NORTH END

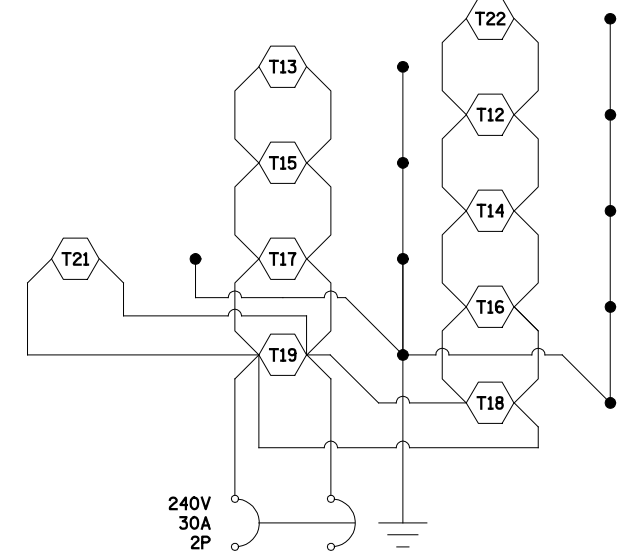


CIRCUIT 2  
SOUTH END

**STAGE I**



CIRCUIT 1  
NORTH END



CIRCUIT 2  
SOUTH END

**STAGE II**

**LIGHTING CIRCUIT WIRING DIAGRAM  
(PHOTOCELL RELAY CONTROLLED)**

**LEGEND**

NUM 250 W HPS LUMINAIRE



USER NAME = bhenr10hs	DESIGNED - FM	REVISED -
	DRAWN - SR	REVISED -
PLOT SCALE = 50.00' / IN.	CHECKED - TP	REVISED -
PLOT DATE = 12/7/2012	DATE - 12/07/2012	REVISED -

STATE OF ILLINOIS  
DEPARTMENT OF TRANSPORTATION

INTERSTATE 57 OVER LANGAN CREEK  
LIGHTING DETAILS

SCALE: 1" = 50' SHEET 5 OF 5 SHEETS STA. 850+00 TO STA. 864+42

F.A.I. RTE.	SECTION	COUNTY	TOTAL SHEETS	SHEET NO.
57	141BR(NB) & 38-1BR(SB)	IROQUOIS	138	38
			CONTRACT NO. 66944	
ILLINOIS FED. AID PROJECT				