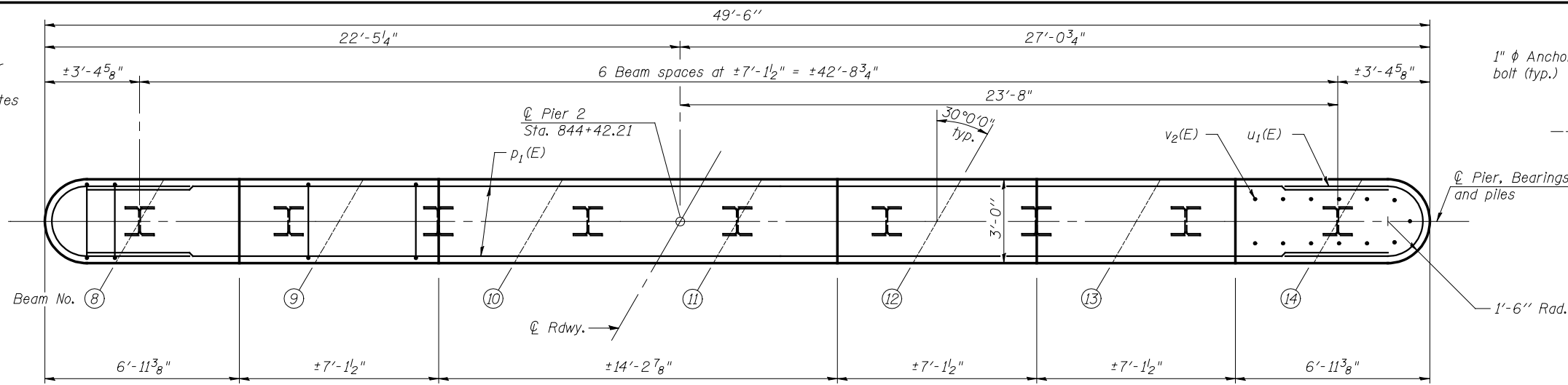
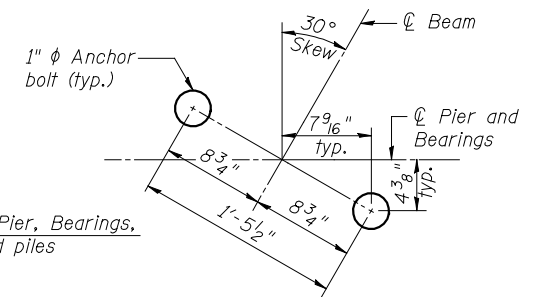


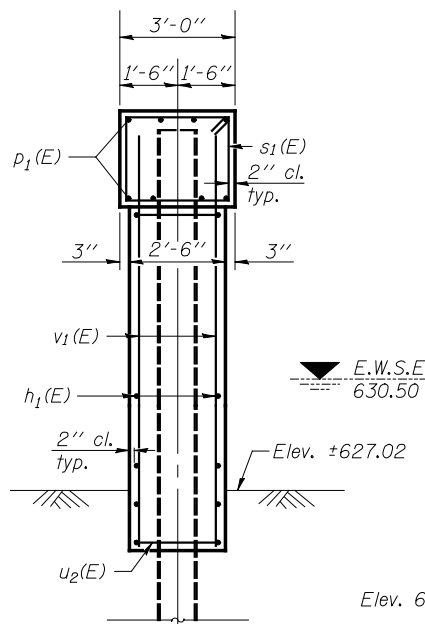
Notes:  
 Pour steps monolithically with cap.  
 Space reinforcement in cap to miss anchor bolts.  
 Bars indicated thus 13 x 2-#5 etc. indicates 13 lines of bars with 2 lengths per line.



**TOP PLAN**



**ANCHOR BOLT LOCATION DETAIL**



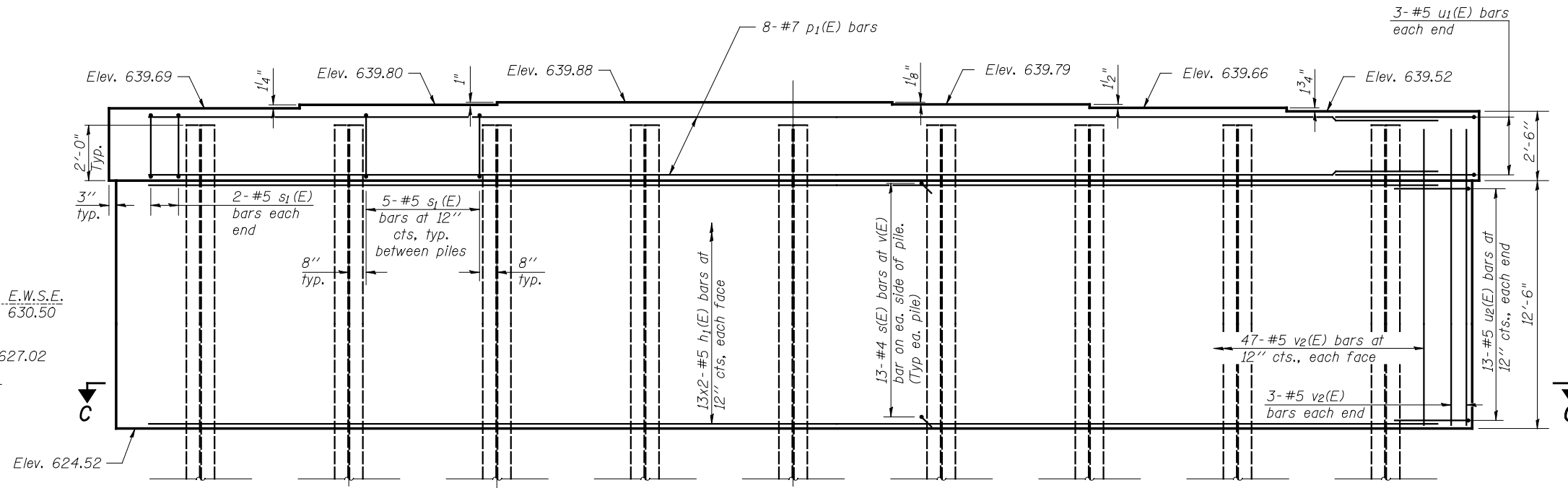
**END VIEW**

**MINIMUM BAR LAP**

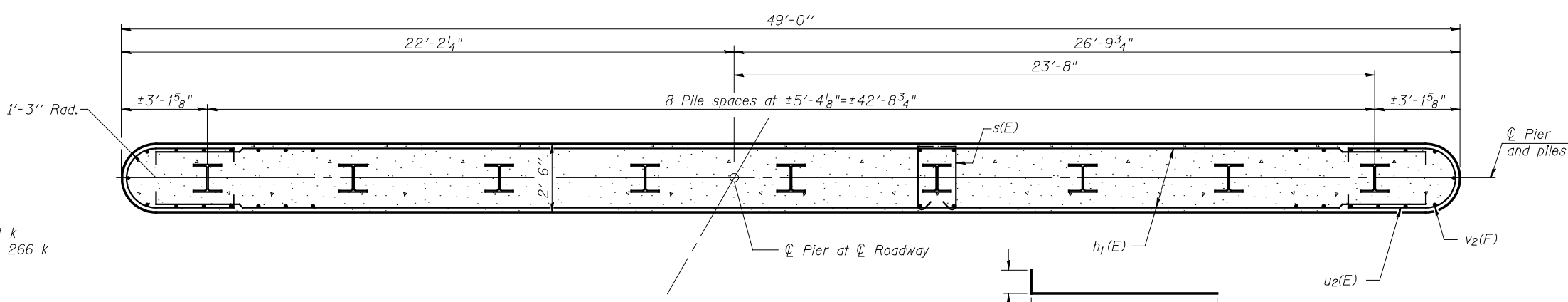
#5 bar = 3'-3"

**PILE DATA**

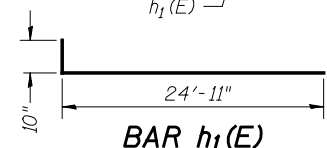
Type: HP 12x74  
 Nominal Required Bearing: 484 k  
 Factored Resistance Available: 266 k  
 Est. Length: 81 ft  
 No. Production Piles: 8  
 No. Test Piles: 1



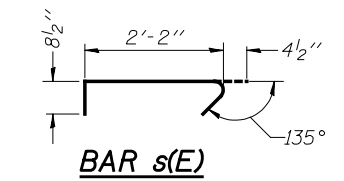
**ELEVATION**  
(Looking South)



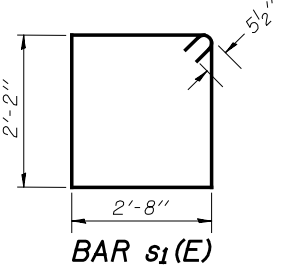
**SECTION C-C**



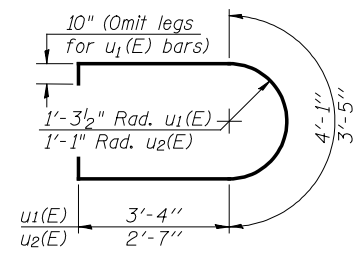
**BAR h1(E)**



**BAR s(E)**



**BAR s1(E)**



**BARS u1(E) & u2(E)**

**BILL OF MATERIAL**

Bar	No.	Size	Length	Shape
h1(E)	52	#5	25'-9"	┌───┐
p1(E)	8	#7	46'-6"	───
s(E)	234	#4	3'-3"	┌───┐
s1(E)	44	#5	10'-7"	┌───┐
u1(E)	6	#5	10'-9"	┌───┐
u2(E)	26	#5	10'-3"	┌───┐
v2(E)	100	#5	13'-6"	───
Cofferdam Excavation		Cu. Yd.	144.1	
Cofferdam (Type 2) (Location-4)		Each	1	
Seal Coat Concrete		Cu. Yd.	88.7	
Concrete Structures		Cu. Yd.	70.6	
Reinforcement Bars, Epoxy Coated		Pound	4,900	
Furnishing Steel Piles HP12x74		Foot	648	
Driving Piles		Foot	648	
Test Pile Steel HP12x74		Each	1	



USER NAME =	DESIGNED RJP	REVISED -
PLOT SCALE =	CHECKED MJT	REVISED -
PLOT DATE =	DRAWN KC	REVISED -
	CHECKED MJT	REVISED -

**STATE OF ILLINOIS**  
**DEPARTMENT OF TRANSPORTATION**

**PIER 2**  
**STRUCTURE NO. 039-0215 (S.B.)**

SHEET NO. 30 OF 38 SHEETS

F.A.I. RTE. 57	SECTION 141 BR	COUNTY IROQUOIS	TOTAL SHEETS 138	SHEET NO. 68
				CONTRACT NO. 66944
ILLINOIS FED. AID PROJECT				