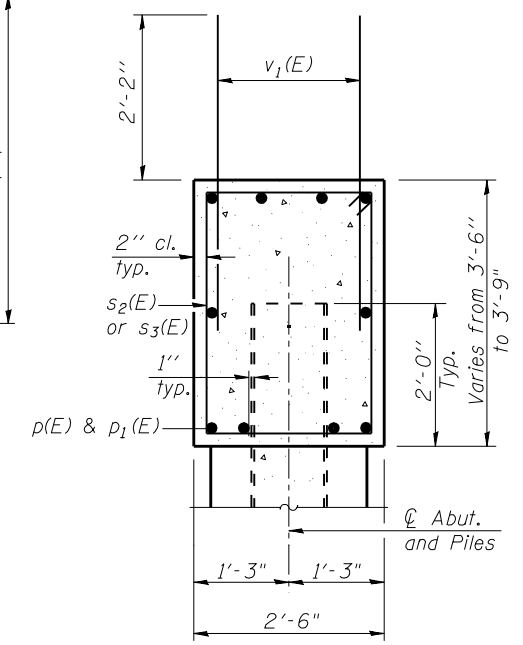


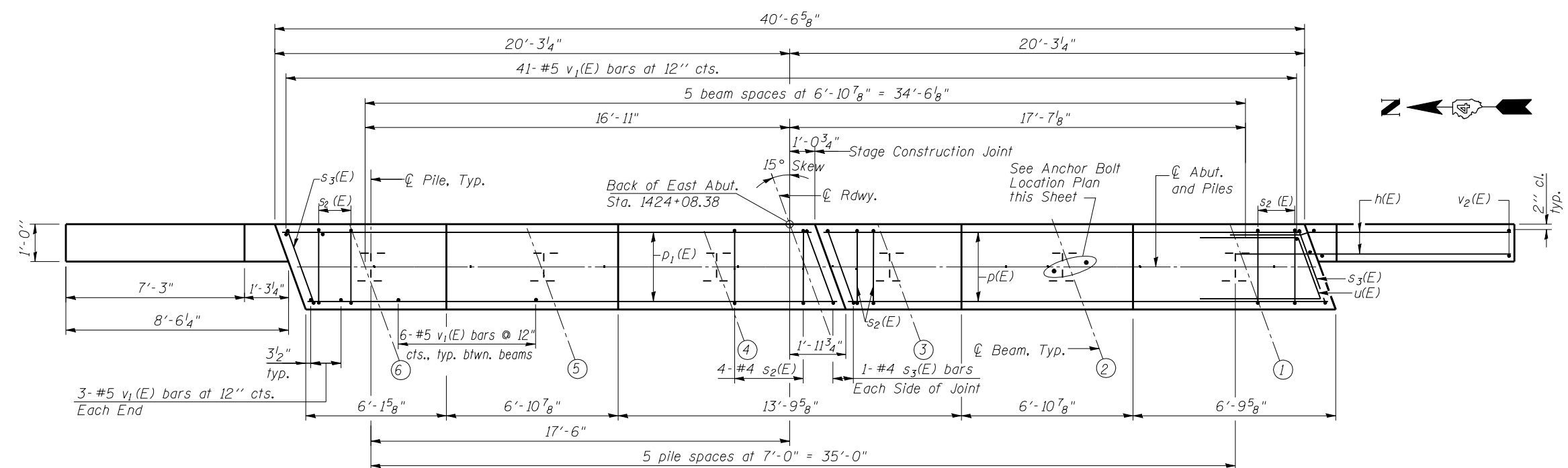
ELEVATION
(Looking East)

Note:
For details of piles, see sheet 16 of 19.



SECTION THRU ABUTMENT

See sheet 2 of 19 for Abutment Backfill details

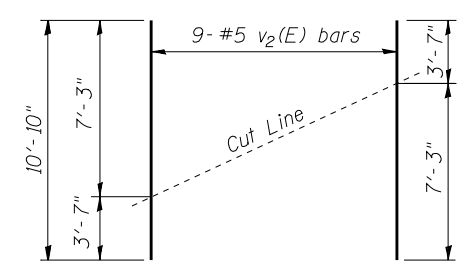


PLAN

PILE DATA

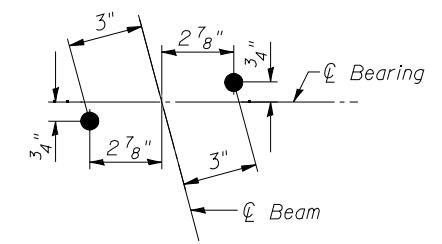
Type: Steel HP14x89
Nominal Required Bearing: 506 K
Factored Resistance Available: 278 K
Est. Length: 26 ft.
No. Production Piles: 6

Note:
Piles shall be driven through 21 in. diameter precored holes extending through existing concrete footing at Elevation 431.99. Cost included in Driving Piles.

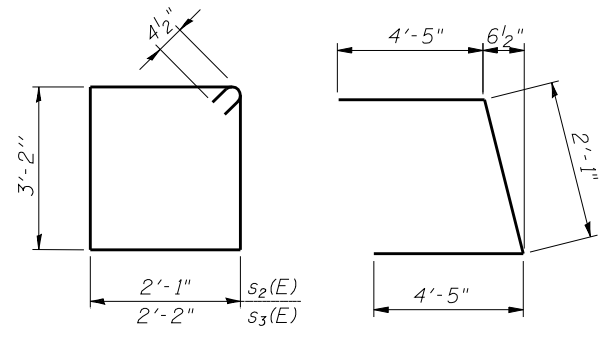


FIELD CUTTING DIAGRAM

Order v2(E) full length. Cut as shown and use remainder of bars in opposite face.



ANCHOR BOLT LOCATION PLAN



BARS s2(E) & s3(E) BAR u(E)

BILL OF MATERIAL

Bar	No.	Size	Length	Shape
h(E)	68	#5	13'-8"	—
p(E)	10	#7	18'-6"	—
p1(E)	10	#7	21'-0"	—
s2(E)	40	#4	11'-3"	□
s3(E)	4	#4	11'-5"	□
u(E)	8	#6	10'-11"	⌒
v1(E)	77	#5	4'-4"	—
v2(E)	18	#5	10'-10"	—
Bar Splicers		Each	10	
Structure Excavation		Cu. Yd.	32.0	
Concrete Structures		Cu. Yd.	17.4	
Reinforcement Bars, Epoxy Coated		Pound	2,790	
Furnishing Steel Piles HP14x89		Foot	156	
Driving Piles		Foot	156	
Concrete Encasement		Cu. Yd.	3.3	