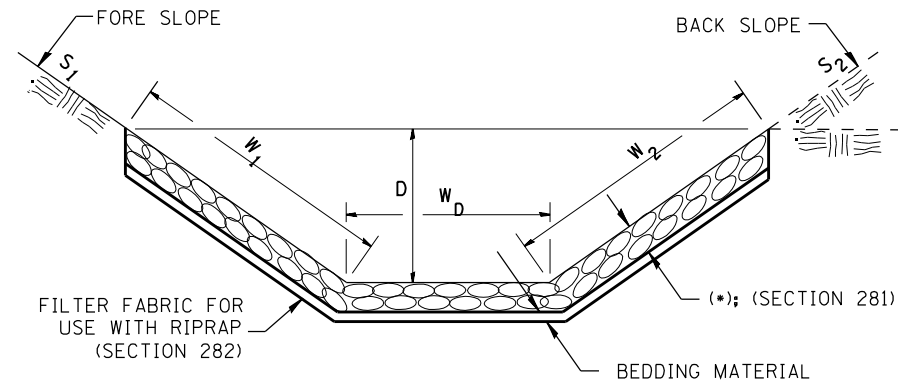


Designer NOTES:  
 1. Designer to modify this Special Detail Sheet, as needed for inclusion in plans.  
 2. (\*) Designer to specify pay item including material, quality, and gradation.  
 3. Include District Special Provision if needed.

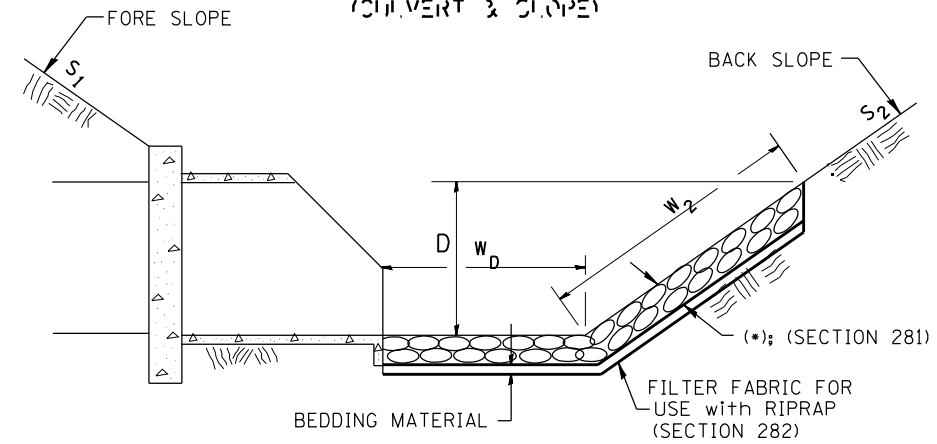
**CASE 1**  
(DITCH)



(*)				
LOCATION	WIDTH (1)	LENGTH	RIPRAP	FABRIC
STA TO STA	lin ft (m)	lin ft (m)	tons (m tons)	sq yds (m <sup>2</sup> )
TOTAL				

(1) WIDTH =  $v_1 + v_2 + v_D$

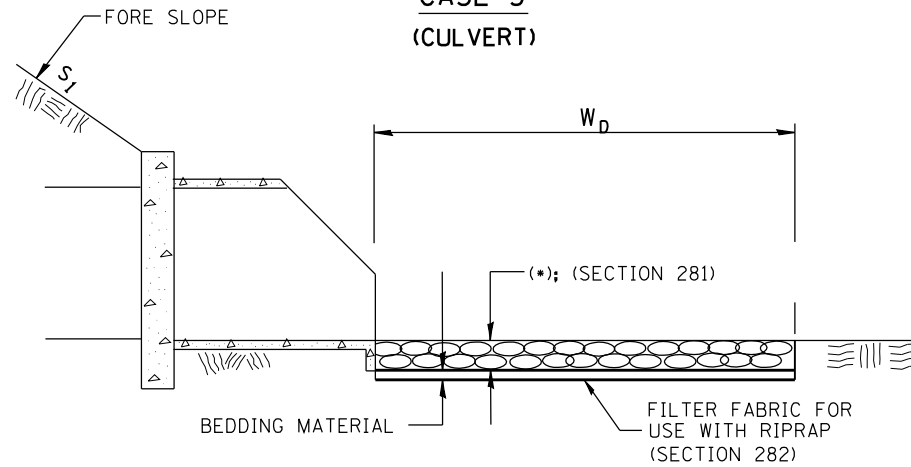
**CASE 2**  
(CULVERT & SLOPE)



(*)				
LOCATION	WIDTH (1)	LENGTH	RIPRAP	FABRIC
STA TO STA	lin ft (m)	lin ft (m)	tons (m tons)	sq yds (m <sup>2</sup> )
TOTAL				

(1) WIDTH =  $v_2 + v_D$

**CASE 3**  
(CULVERT)



(*)				
LOCATION	WIDTH (1)	LENGTH	RIPRAP	FABRIC
STA TO STA	lin ft (m)	lin ft (m)	tons (m tons)	sq yds (m <sup>2</sup> )
TOTAL				

(1) WIDTH =  $W_D$

All slope ratios are expressed as units of vertical displacement to units of horizontal displacement (V:H).

All dimensions are in inches (millimeters) unless otherwise noted.

1-1-97	BENUM..A-12.02..NEW_REVISION_BOX	I.P.
12-1-97	COBRECT_FILTER_FABRIC_LEADER_ARROW	J.A.
10-16-06	REVISED_IQ_2007_SPEC	M.A.
9-6-12	REMOVED_A_DESIGNER_NOTE_AND_MADE_MINOR_CHANGES	R.D.

STATE OF ILLINOIS  
DEPARTMENT OF TRANSPORTATION

RIPRAP DITCH FOR EROSION PROTECTION

NOT TO SCALE

---CADD\_S10\_281001-04

F.A. RTE.	SECTION	COUNTY	TOTAL SHEETS	SHEET NO.
			118	89
CONTRACT NO.				
FED. ROAD DIST. NO. ILLINOIS FED. AID PROJECT				