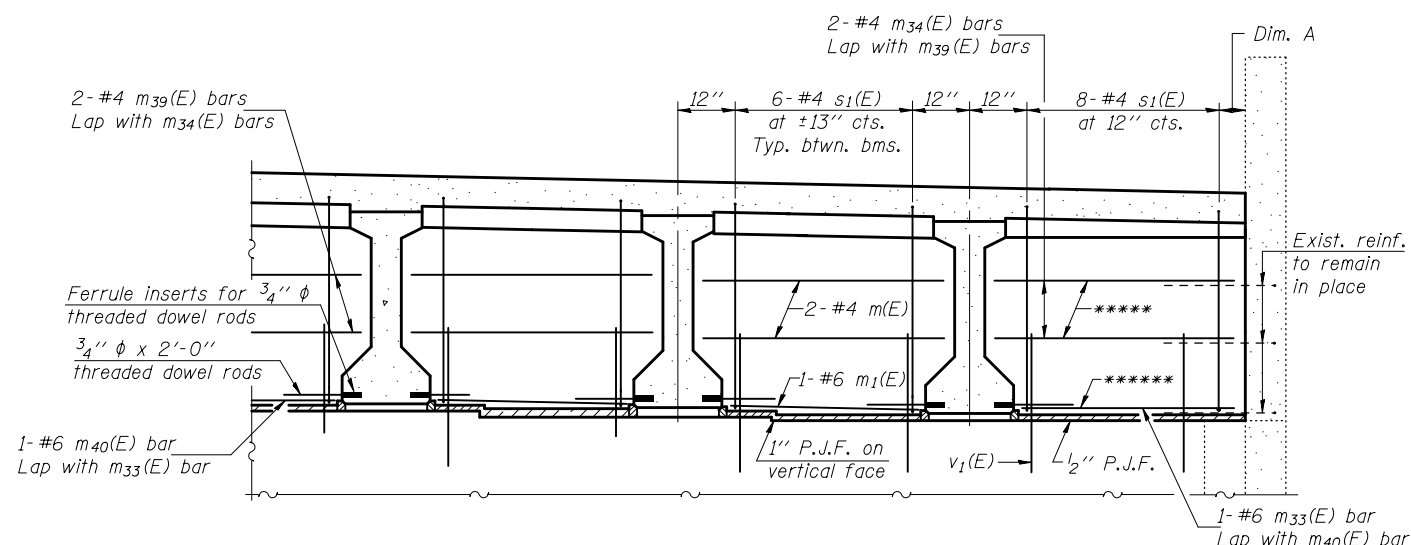


Dim. A = 7'4" (South end), 8" (North end)

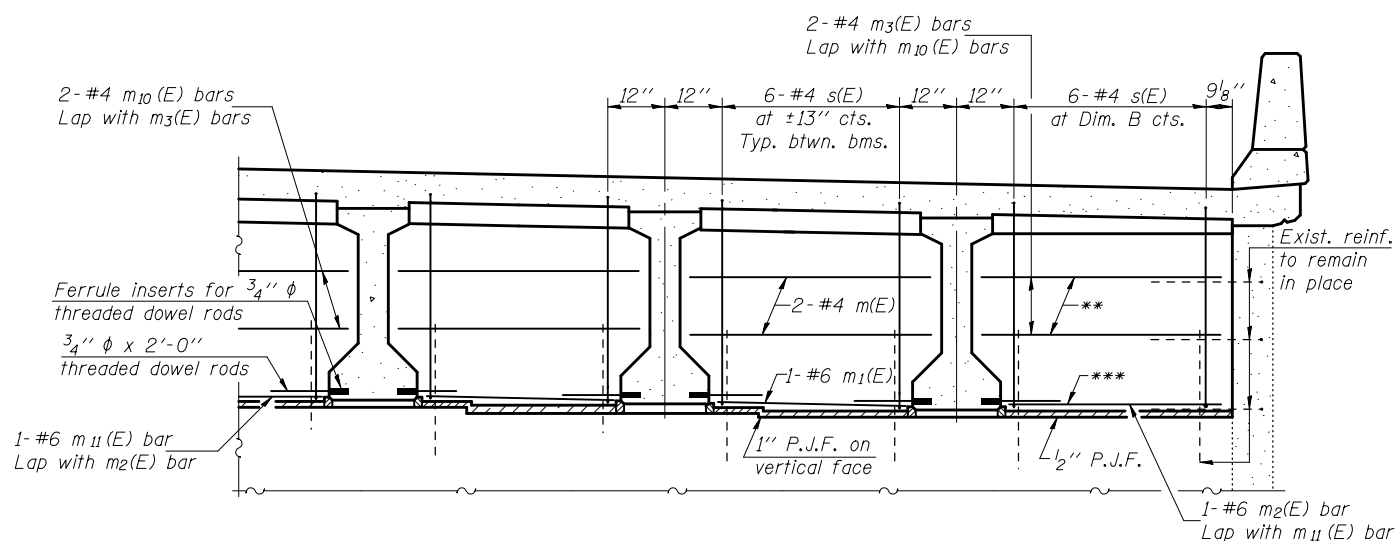


DIAPHRAGM AT APPROACH BENT

For location of m(E), m1(E), and m33(E) thru m40(E) bars, see Section A-A on sheet 19 of 62.

- *****2-#4 m35(E) bars (South end)
- 2-#4 m37(E) bars (North end)
- *****1-#6 m36(E) bar (South end)
- 1-#6 m38(E) bar (North end)

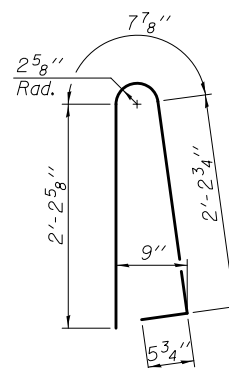
Dim. B = 11" (South end), ±12'1/2" (North end)



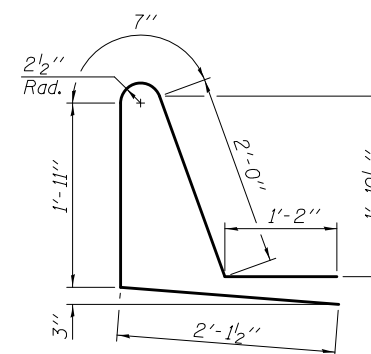
DIAPHRAGM AT ABUTMENT

For location of m(E) thru m5(E) and m8(E) thru m11(E) bars, see Section B-B on sheet 19 of 62.

- **2-#4 m4(E) bars (South end)
- 2-#4 m8(E) bars (North end)
- ***1-#6 m5(E) bar (South end)
- 1-#6 m9(E) bar (North end)



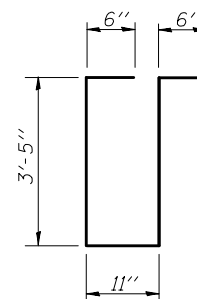
BAR d(E)



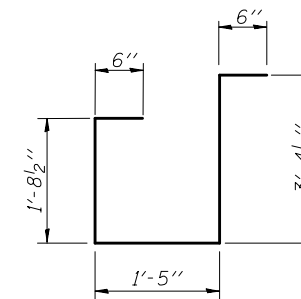
BAR d1(E)

MIN. BAR LAPS

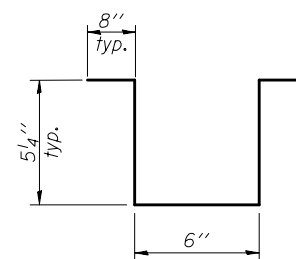
- #4 bar = 2'-7"
- #6 bar = 3'-10"



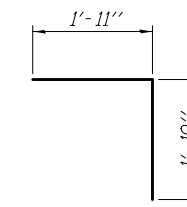
BAR s(E)



BAR s1(E)



BAR s3(E)



BAR v(E)

**ONE APPROACH SLAB
BILL OF MATERIAL**

Bar	No.	Size	Length	Shape
a(E)	66	#5	21'-0"	—
a1(E)	51	#5	34'-0"	—
a2(E)	62	#6	6'-0"	—
a3(E)	66	#5	37'-1"	—
a4(E)	51	#5	24'-1"	—
b(E)	94	#5	40'-2"	—
b1(E)	12	#5	38'-2"	—
b2(E)	12	#4	39'-7"	—
d(E)	86	#5	5'-7"	U
d1(E)	86	#5	7'-9"	U
e(E)	16	#4	38'-2"	—
e1(E)	2	#8	38'-2"	—
m(E)	20	#4	6'-7"	—
m1(E)	10	#6	5'-7"	—
m2(E)	1	#6	29'-0"	—
m3(E)	2	#4	28'-3"	—
m4(E)	2	#4	5'-9"	—
m5(E)	1	#6	5'-3"	—
m8(E)	2	#4	6'-4"	—
m9(E)	1	#6	5'-9"	—
m10(E)	2	#4	24'-5"	—
m11(E)	1	#6	24'-11"	—
m33(E)	1	#6	26'-9"	—
m34(E)	2	#4	26'-9"	—
m35(E)	2	#4	8'-1"	—
m36(E)	1	#6	7'-7"	—
m37(E)	2	#4	8'-2"	—
m38(E)	1	#6	7'-8"	—
m39(E)	2	#4	29'-10"	—
m40(E)	1	#6	31'-1"	—
s(E)	42	#4	8'-9"	U
s1(E)	46	#4	7'-6"	U
s3(E)	240	#4	2'-9"	U
v(E)	55	#5	3'-9"	└
Reinforcement Bars, Epoxy Coated			Pound	15,880
Concrete Superstructure			Cu. Yd.	83.5

FILE NAME =	USER NAME = #USER*	DESIGNED K.A. KLUES	REVISED - 12/17/12 DHC/JKS
#FILE*		CHECKED E.M. LAGEMANN	Del. Staging (IDOT)
	PLOT SCALE =	DRAWN K.A. KLUES	REVISED -
	PLOT DATE = #DATE*	CHECKED E.M. LAGEMANN	REVISED -

**STATE OF ILLINOIS
DEPARTMENT OF TRANSPORTATION**

**HORNER &
SHIRIN, INC.
ENGINEERS**

**SUPERSTRUCTURE DETAILS - SPAN 1 (E.B.)
STRUCTURE NOS. 072-0119 (E.B.) & 072-0120 (W.B.)**

SHEET NO. 21 OF 62 SHEETS

F.A.I. RTE.	SECTION	COUNTY	TOTAL SHEETS	SHEET NO.
474	(72-3HB-1),I	PEORIA	88	37
CONTRACT NO. 68883				
ILLINOIS FED. AID PROJECT				