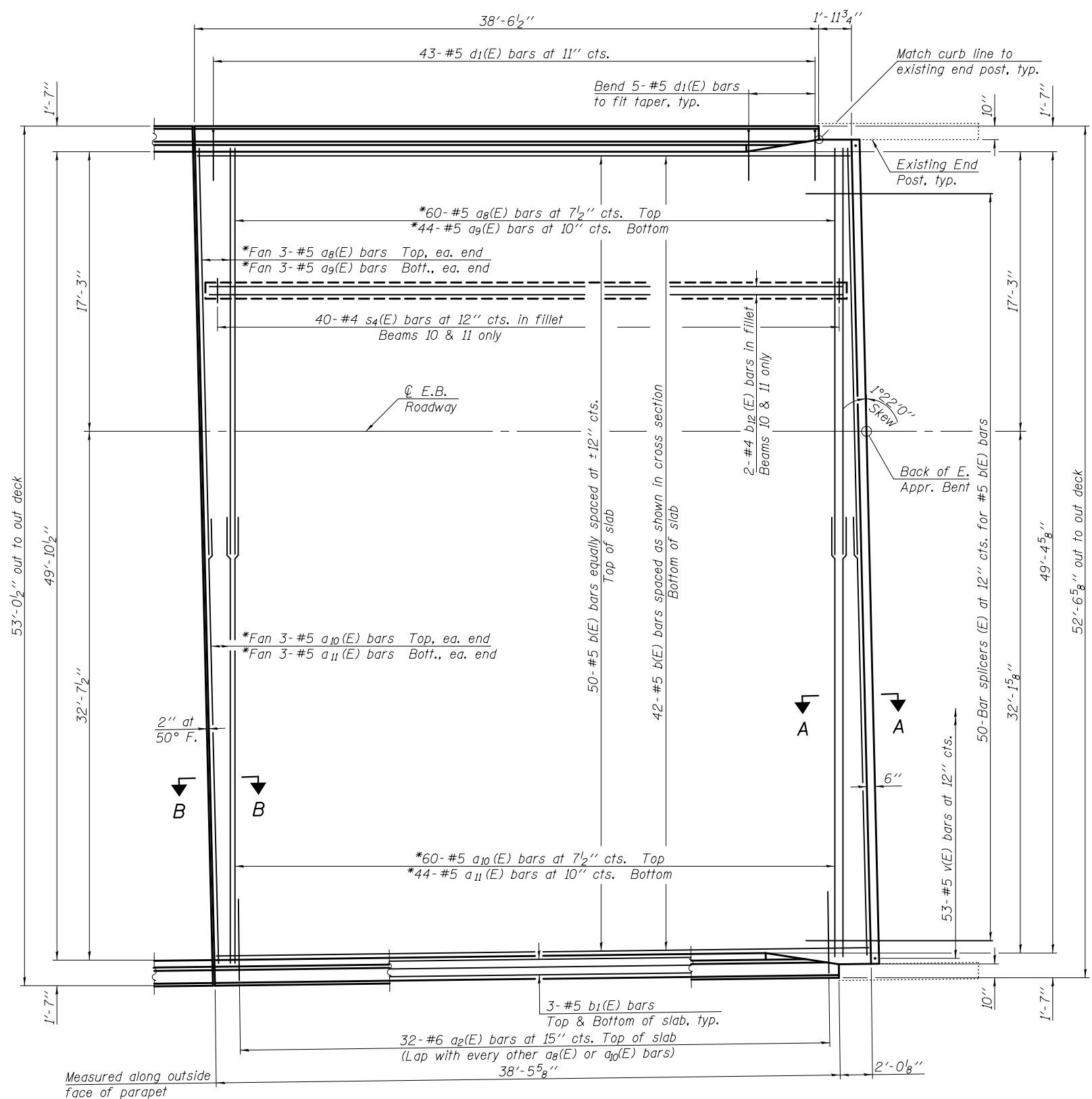
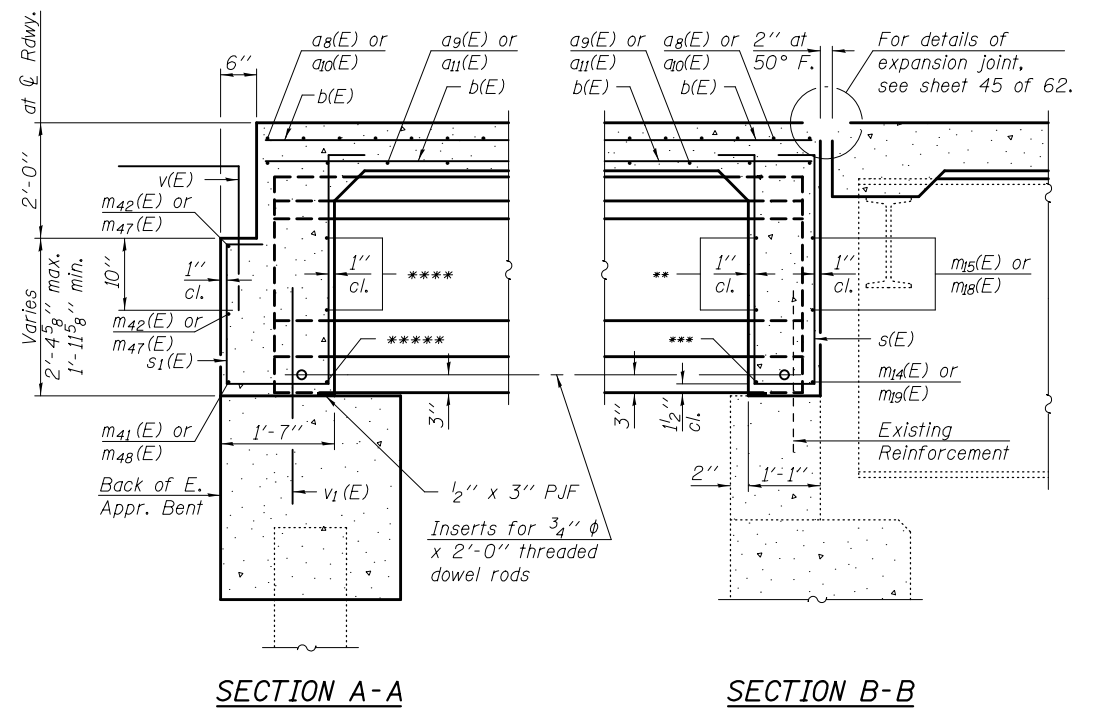


*Increase bar lap to provide 1/2" min. clearance to existing end post or edge of slab.



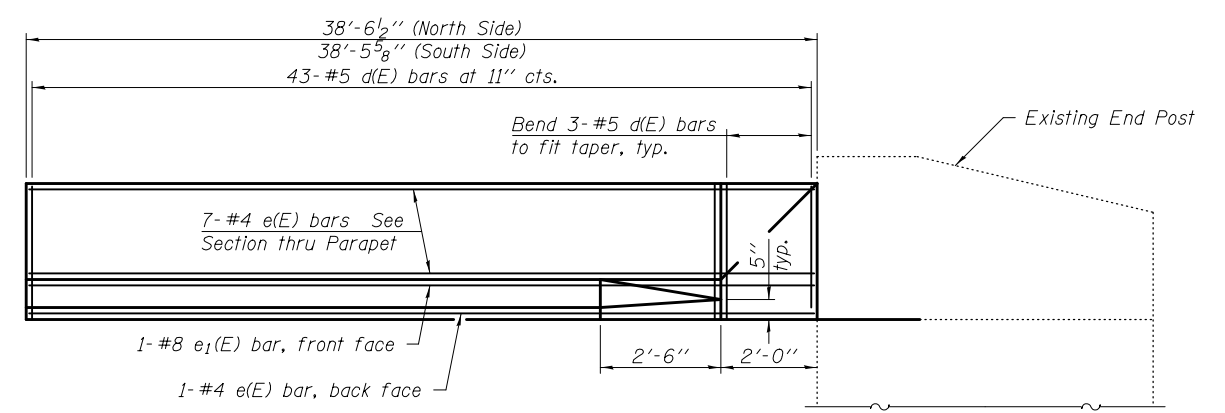
PLAN



SECTION A-A

SECTION B-B

**m4(E), m12(E), or m20(E)
 ***m5(E), m13(E), or m21(E)
 ****m12(E), m43(E), or m45(E)
 *****m13(E), m44(E), or m46(E)



INSIDE ELEVATION OF PARAPET

Note: Bend e(E) & e1(E) bars in field to fit taper.

Notes:
 For Cross Section and Parapet Details, see sheet 26 of 62.
 For diaphragm details and Bill of Materials, see sheet 27 of 62.
 For Removal Details, see sheet 18 of 62.
 Existing reinforcement shall be cleaned and incorporated into the new construction. Cost included with "Removal of Existing Superstructures".
 Any reinforcement bars that are damaged during concrete removal operations shall be repaired or replaced using an approved bar splicer or anchorage system. Cost included with "Removal of Existing Superstructures".

MIN. BAR LAP
 #5 bar = 3'-3"

FILE NAME = *FILE*	USER NAME = *USER*	DESIGNED K.A. KLUES	REVISED - 12/17/12 DHC/JKS	STATE OF ILLINOIS DEPARTMENT OF TRANSPORTATION		SUPERSTRUCTURE DETAILS - SPAN 4 (E.B.) STRUCTURE NOS. 072-0119 (E.B.) & 072-0120 (W.B.)	F.A.I. R.T.E.	SECTION	COUNTY	TOTAL SHEETS	SHEET NO.
	CHECKED E.M. LAGEMANN	Del. Staging (IDOT)	474				(72-3HB-1),I	PEORIA	88	41	
PLOT SCALE =	DRAWN K.A. KLUES	REVISOR -	CONTRACT NO. 68883								
PLOT DATE = *DATE*	CHECKED E.M. LAGEMANN	REVISOR -	SHEET NO. 25 OF 62 SHEETS				ILLINOIS FED. AID PROJECT				