

A ←      → B

\* 3 spaces at 3" = 9".  
 \*\* 4-3/4" φ threaded dowel rods at 3" cts., Each Face

**ELEVATION OF BEAM**  
 (Showing reinforcement & dimensions)

Note A:  
 Hex nuts (top and bottom) with lock washers (top). Only tighten sufficiently to compress lock washers.

**SECTION A-A**

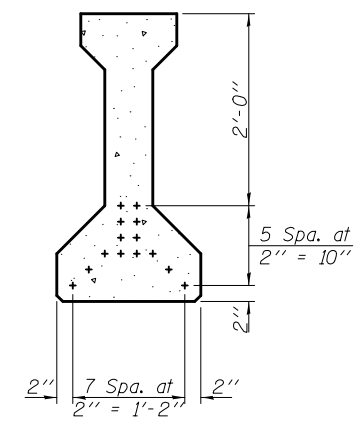
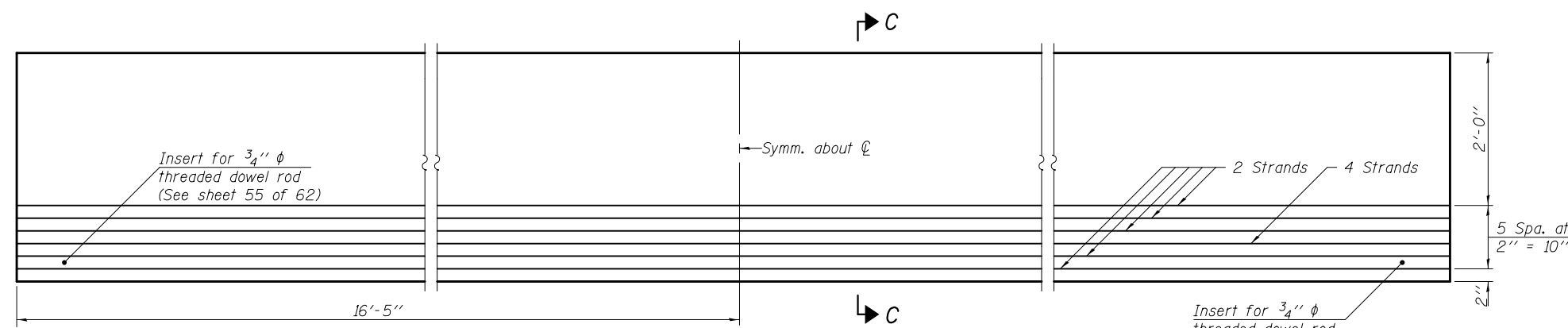
**SECTION B-B**

**\*\*\*BAR LIST  
 ONE BEAM ONLY**

Bar	No.	Size	Length	Shape
G <sub>1</sub>	54	#4	7'-5"	⊏
G <sub>2</sub>	8	#4	5'-8"	⊏
G <sub>3</sub>	3	#5	32'-8"	—
G <sub>4</sub>	38	#3	4'-1"	⊏

\*\*\*For information only

Notes:  
 See sheet 55 of 62 for additional details and Bill of Material.  
 Required release strength, f'ci, shall be 5,000 psi.



**ELEVATION OF BEAM**  
 (Showing prestressing steel)

**SECTION C-C**