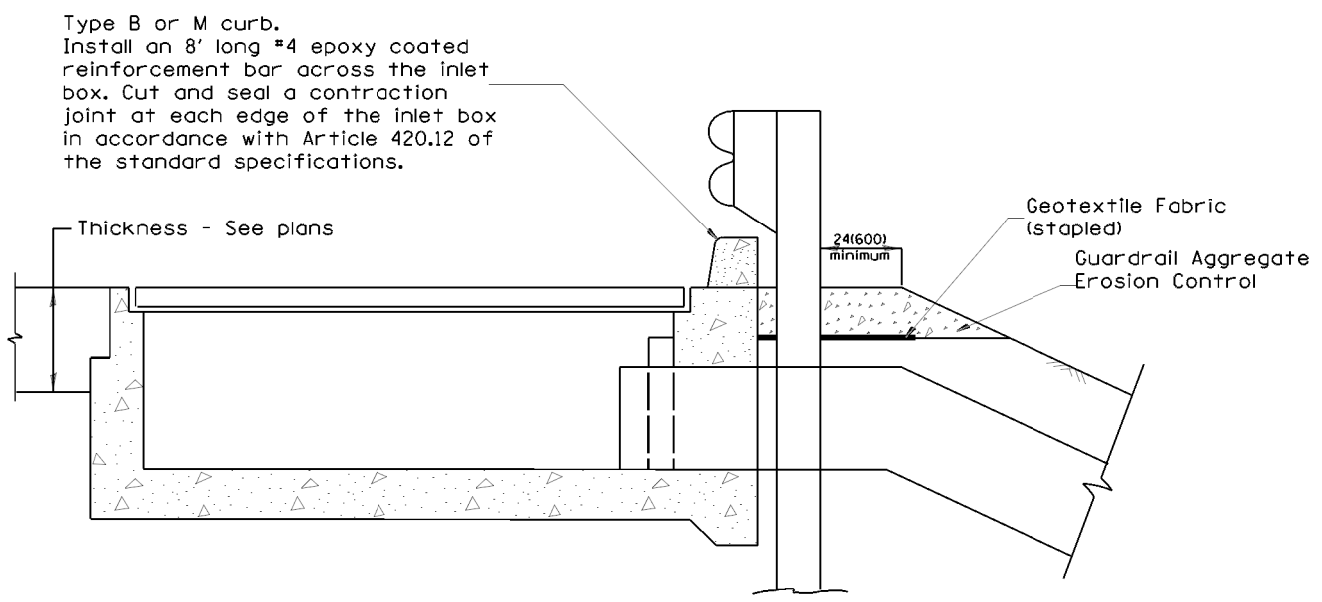
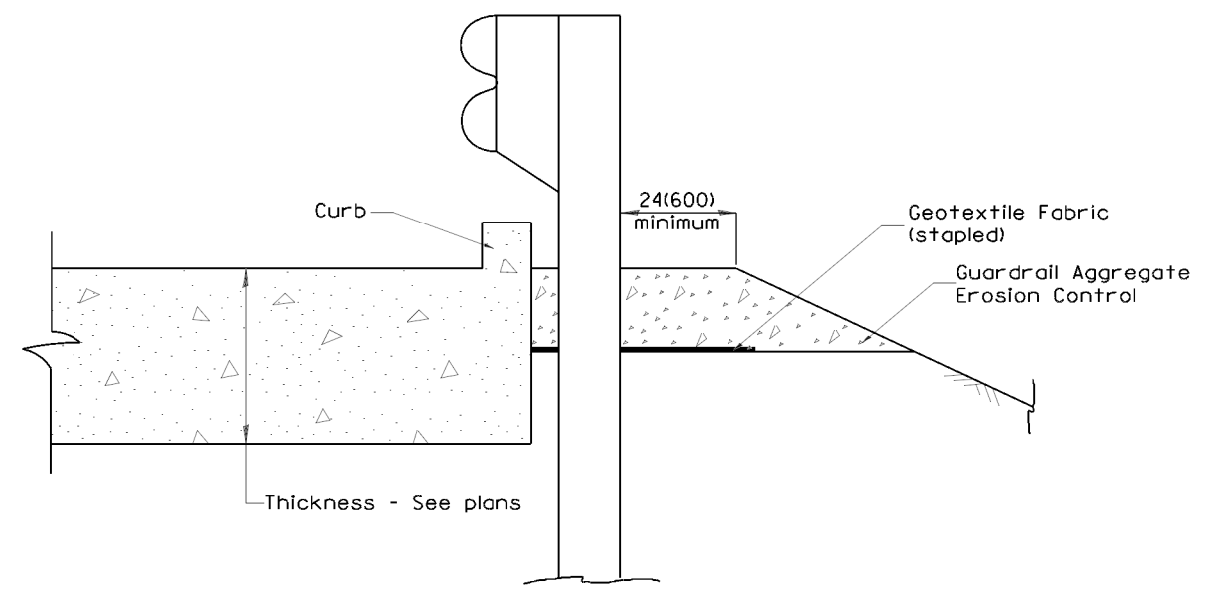


**PLAN VIEW**  
**APPROACH SLAB OR BRIDGE APPROACH SHOULDER**  
 (STANDARD 609001 or 609006)



**TYPICAL SECTION AT INLETS**  
**TYPE E & F (STANDARD 610001)**



**SECTION A-A**  
**TYPICAL SECTION WITH BRIDGE APPROACH CURB**

All dimensions are in inches (millimeters) unless otherwise noted.

				<b>STATE OF ILLINOIS DEPARTMENT OF TRANSPORTATION</b>		<b>GUARDRAIL EROSION CONTROL TREATMENTS</b>		SHT. 2 OF 2 CADD STD. 630101-D4	
F.A.I. RTE.	SECTION	COUNTY	TOTAL SHEETS	SHEET NO.					
474	(72-3HB-1)I, 1-1	PEORIA	89	86					
MAXWELL RD. CONN. OVER I-474				CONTRACT NO. 68883					
FED. ROAD DIST. NO. 4 ILLINOIS FED. AID PROJECT									