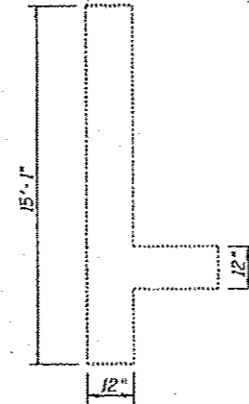
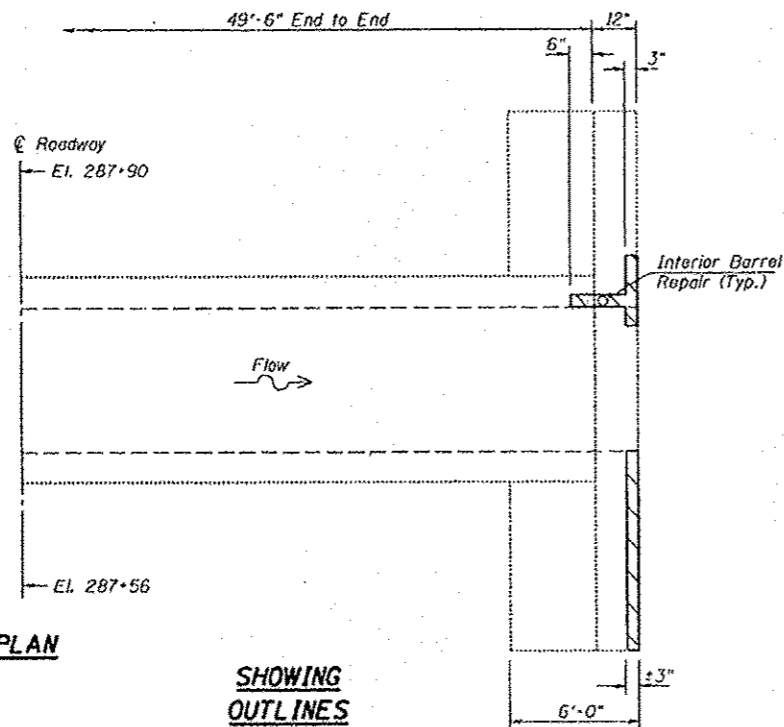
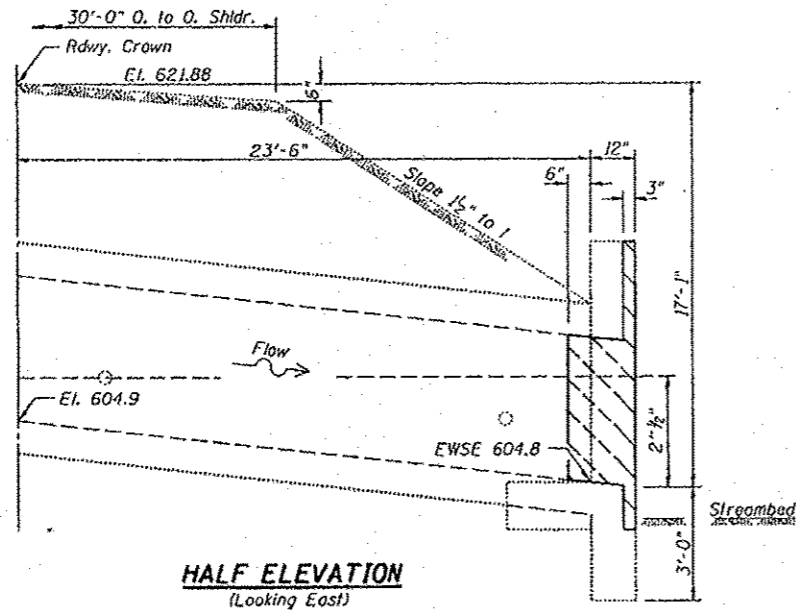
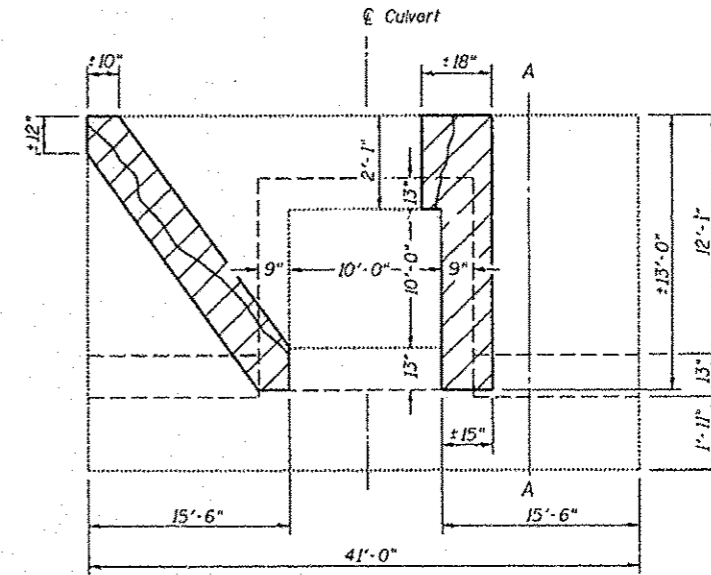


REINFORCED CONCRETE BOX CULVERT



Class A concrete to be throughout.
Proportions 1:2½:4. For necessary
replacements, use "m" bars in
downstream headwall only.



LEGEND



Proposed Structural
Repair of Concrete

FILE NAME * S:\GEN\GRAFF\ASTO\PLNS\504014\Winter	USER NAME * jonesce	DESIGNED - CEJ	REVISED -	STATE OF ILLINOIS DEPARTMENT OF TRANSPORTATION	PROPOSED REPAIRS CULVERT NO. 066S17m05.150			F.A.P. RTE. 639	SECTION (1231)	COUNTY MERCER	TOTAL SHEET NO. 14	SHEET NO. 13
PLOT SCALE * 1/8" = 1'-0"	CHECKED -	DATE - 06/18/2012	REVISED -		SCALE:	SHEET NO. OF SHEETS	STA. TO STA.	CONTRACT MAINTENANCE REPAIR CONTRACT NO. 68A29				
PLOT DATE * 7/17/2012	DATE -	REVISED -	REVISED -		ILLINOIS FED. AID PROJECT							