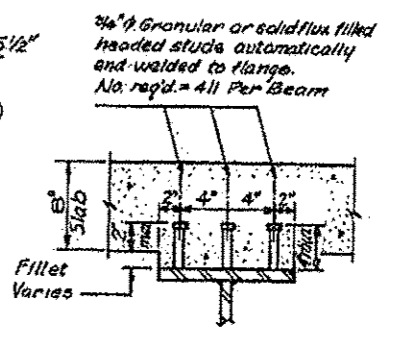
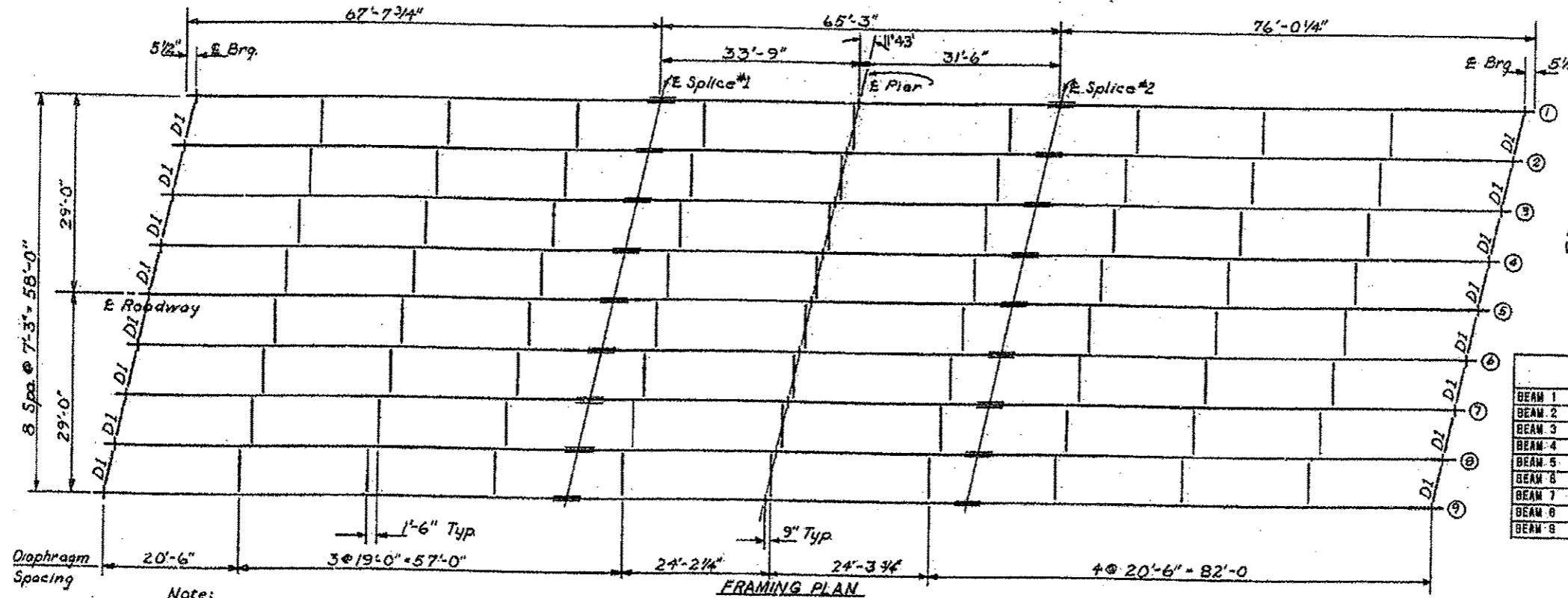


# LOCATION 2 S.N. 094-0028 INFORMATION ONLY

STATE OF ILLINOIS  
DEPARTMENT OF TRANSPORTATION



TOP OF WEB ELEVATIONS

	± BRG. S. ABUT.	± SPLICE-1	± PIER	± SPLICE 2
BEAM 1	743.148	741.804	741.004	740.488
BEAM 2	743.322	741.978	741.178	740.874
BEAM 3	743.488	742.122	741.322	740.817
BEAM 4	743.809	742.388	741.488	740.881
BEAM 5	743.789	742.409	741.809	741.104
BEAM 6	743.888	742.328	741.528	741.021
BEAM 7	743.888	742.242	741.442	740.937
BEAM 8	743.603	742.189	741.358	740.854
BEAM 9	743.388	742.048	741.245	740.740

The above elevations are for fabrication of structural steel and do not include any allowance for deflections due to weight of concrete or steel.

