

TYPICAL LOCK & DAM ROAD SECTION

NOTES:

* - SEE PLAN SHEETS

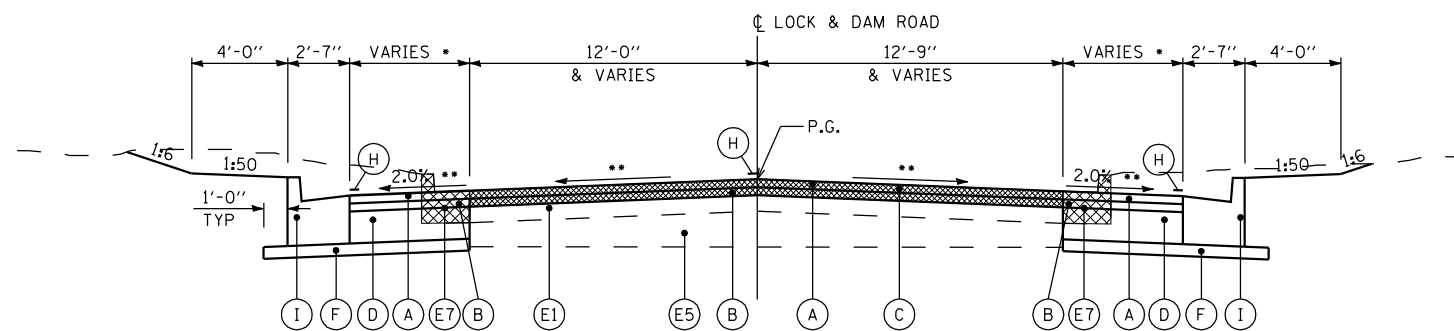
STA 7+50.00 TO STA 8+40.00 LT
 STA 7+50.00 TO STA 8+64.00 RT

EXISTING LEGEND

- (E1) EXISTING HMA PAVEMENT
- (E2) EXISTING PCC PAVEMENT, 8"
- (E3) EXISTING HMA BSE CSE, 9"
- (E4) EXISTING HMA SURFACING, 3 1/2"
- (E5) EXISTING SUB-BASE GRANULAR MATERIAL
- (E6) EXISTING HMA SHOULDER 6" / EXISTING ENTRANCE PAVEMENT
- (E7) EXISTING CONCRETE CURB & GUTTER, TYPE B-6.24
- (E8) EXISTING SOLID CONCRETE MEDIAN
- EXISTING ITEM TO BE REMOVED

PROPOSED LEGEND

- (A) PR HMA SURFACE COURSE, 1 1/2"
- (B) PR HMA LEVELING BINDER, 1"
- (C) PR HMA SURFACE REMOVAL, 2 1/2" (PAID AS VARIABLE DEPTH)
- (D) PR PCC BASE COURSE WIDENING, 10"
- (F) PR SUBBASE GRANULAR MATERIAL, TYPE B, 4"
- (H) PR PAVEMENT MARKING (SEE PLAN SHEETS)
- (I) PR COMBINATION CONCRETE CURB & GUTTER, TYPE B-6.24

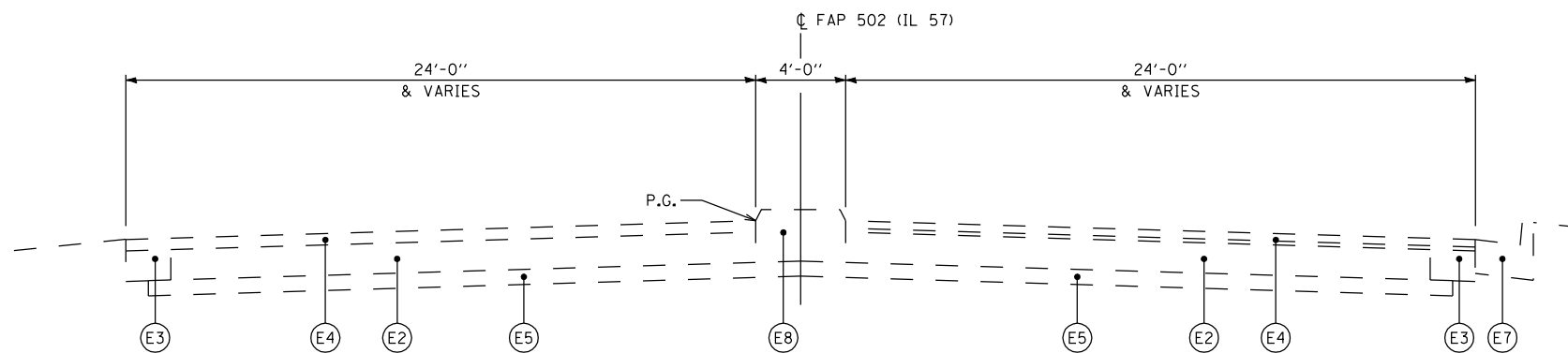


TYPICAL LOCK & DAM ROAD SECTION

NOTES:

* - SEE PLAN SHEETS
 ** - VARIES (SEE GEOMETRIC DETAIL SHEET AND CROSS SECTION SHEETS)

STA 8+40.00 TO STA 9+74.00 LT
 STA 8+64.00 TO STA 9+74.00 RT



TYPICAL FAP 502 (IL 57) SECTION

FILE NAME =	USER NAME = ebb	DESIGNED -	REVISED -	STATE OF ILLINOIS DEPARTMENT OF TRANSPORTATION	TYPICAL SECTIONS			F.A.P. RTE.	SECTION	COUNTY	TOTAL SHEETS	SHEET NO.
qr:\08files\080224\wo 3 - il 57 and ld road\cadd sheets\D672F46-sht-Typical.dgn		DRAWN -	REVISED -					502	(53) N-1	ADAMS	20	9
		CHECKED -	REVISED -		SCALE: none SHEET NO. 1 OF 1 SHEETS STA. TO STA.			CONTRACT NO. 72F46				
		DATE -	REVISED -		FED. ROAD DIST. NO. 6 ILLINOIS FED. AID PROJECT							