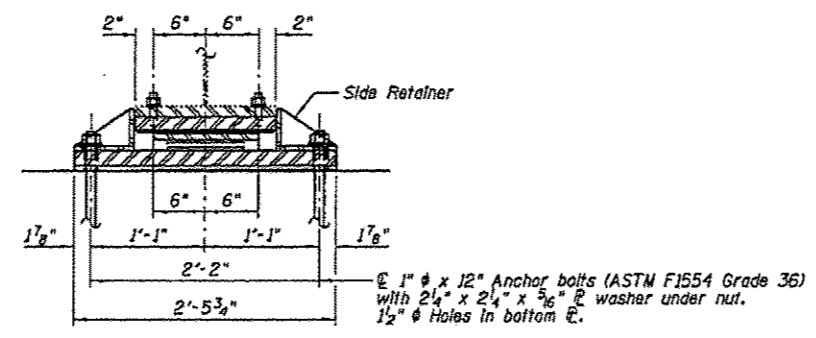
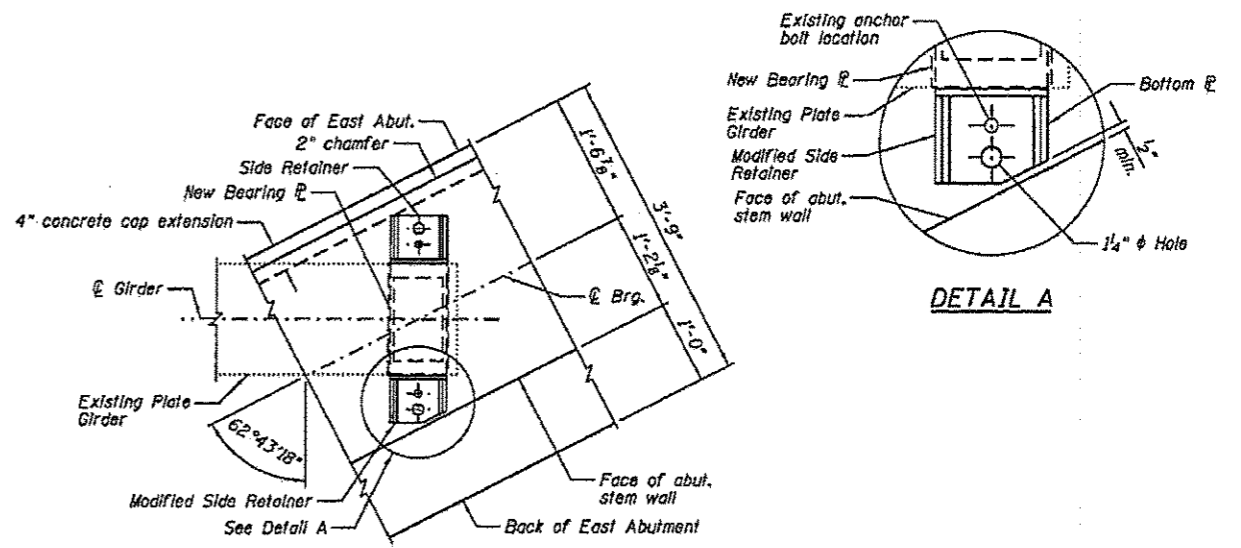


ELEVATION AT EAST ABUT.



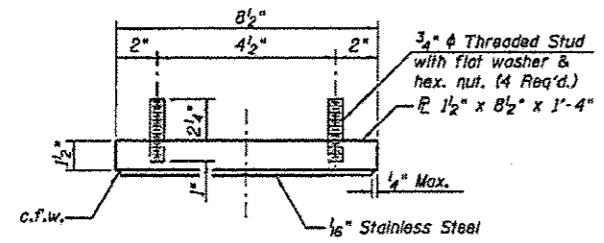
SECTION A-A

TYPE II ELASTOMERIC EXP. BRG.
(A) East Abutment - 6 Required

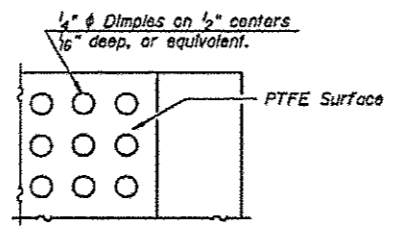


BEARING PLAN AT EAST ABUTMENT

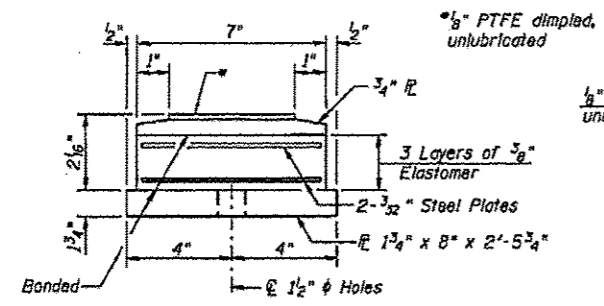
DETAIL A



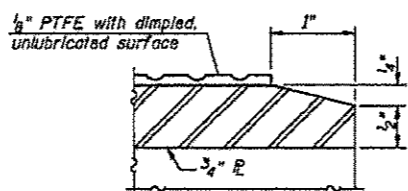
TOP BEARING ASSEMBLY



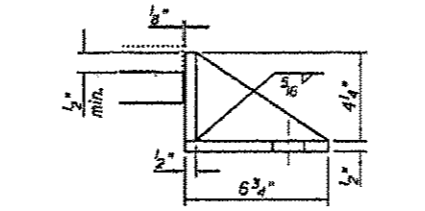
PLAN-PTFE SURFACE



BOTTOM BEARING ASSEMBLY

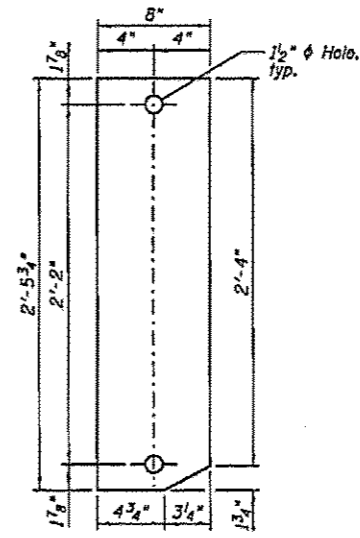


SECTION THRU PTFE

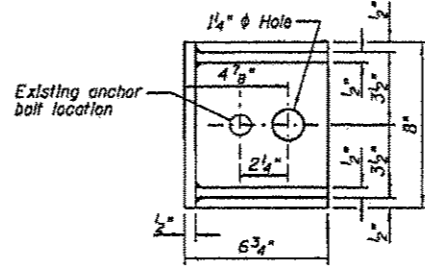


SIDE RETAINER

Equivalent rolled angle with stiffeners will be allowed in lieu of welded plates.



BOTTOM PLATE PLAN



MODIFIED SIDE RETAINER

Equivalent rolled angle with stiffeners will be allowed in lieu of welded plates.

Notes:
Anchor bolts shall be ASTM F1554 all-thread (or an Engineer-approved alternate material) of the grade(s) and diameter(s) specified. ASTM A307 Grade C anchor bolts may be used in lieu of ASTM F1554 Grade 36 (Fy=36ksi). The corresponding specified grade of AASHTO M314 anchor bolts may be used in lieu of ASTM F1554.
Anchor bolts for Type II bearings shall be placed in holes drilled in the concrete through holes in the bottom bearing plate after members are in place. Side retainers shall be placed after bolts are installed.
Drilled and set anchor bolts shall be installed according to Article 521.06 of the Standard Specifications.
Side retainers and other steel members required for the bearing assembly shall be included in the cost of Elastomeric Bearing Assembly, Type II.
The 1/8" PTFE sheet shall be bonded directly to the top steel plate with a two-component, medium viscosity epoxy resin, conforming to the requirements of the Federal Specification MMM-A-134, Type I. The bond agent shall be applied on the full area of the contact surfaces.
Bonding of 1/8" PTFE sheet during vulcanizing process will be permitted provided the process and method of adjusting assembly height is approved by the Engineer.

BILL OF MATERIAL

Item	Unit	Total
Elastomeric Bearing Assembly, Type II	Each	6
Anchor Bolts, 1"	Each	12

TABLE "A"

Girder No.	Shim Thickness
6	1/2"

TYPE II ELASTOMERIC BEARING DETAILS
STRUCTURE NO.084-Q078

NOTE:

Two 1/8 in. adjusting shims shall be provided for each bearing in addition to all other plates or shims and placed as shown on bearing details.

FOR INFORMATION ONLY

FILE NAME *	USER NAME * madonalds	DESIGNED -	REVISED -	STATE OF ILLINOIS DEPARTMENT OF TRANSPORTATION	BEARING DETAILS	SCALE: SHEET OF SHEETS STA. TO STA.	F.A.J. RTE.	SECTION	COUNTY	TOTAL SHEETS	SHEET NO.
c:\documents and settings\madonalds\desktop\plansheet\log	DRAWN -	REVISED -	55				D6 PAINTING 2013	SANGAMON	26	25	
PLOT SCALE * 8.9898 / 1"	CHECKED -	REVISED -	CONTRACT NO. 72FBS								
Default	PLOT DATE * Nov-29-2012 01:29:17PM	DATE -	REVISED -				ILLINOISIFIED. AFB PROJECT				