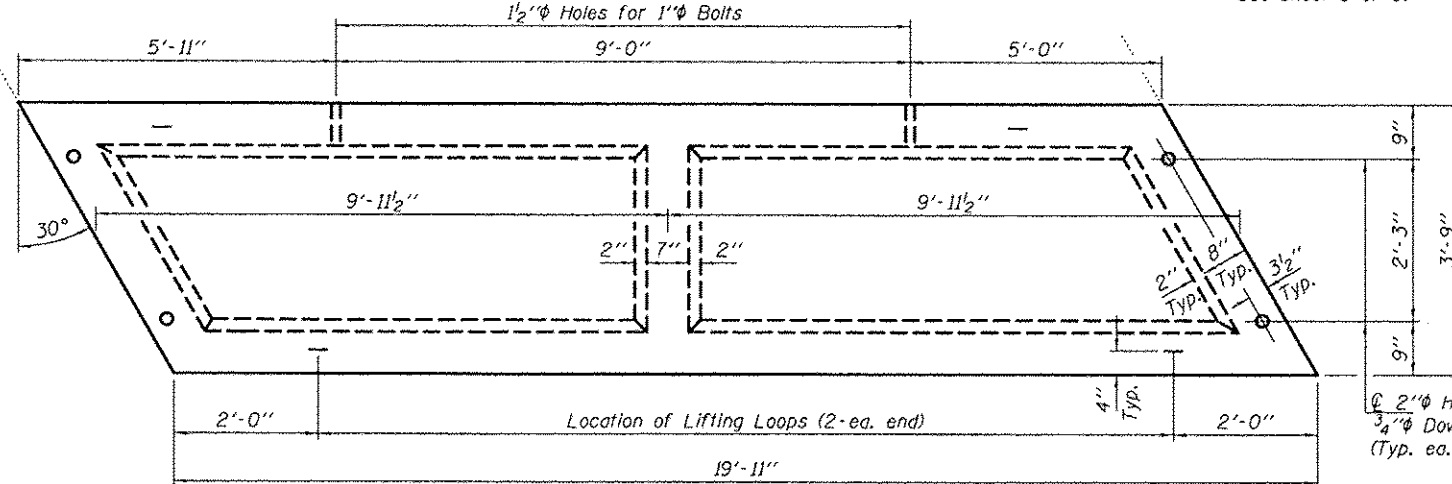
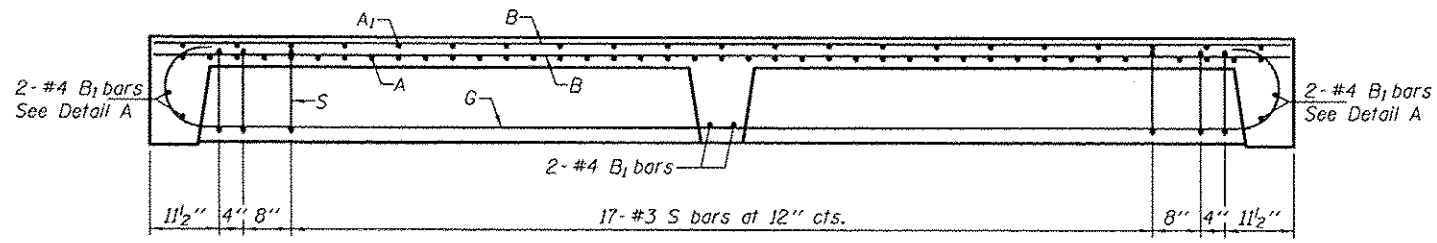


ELEVATION

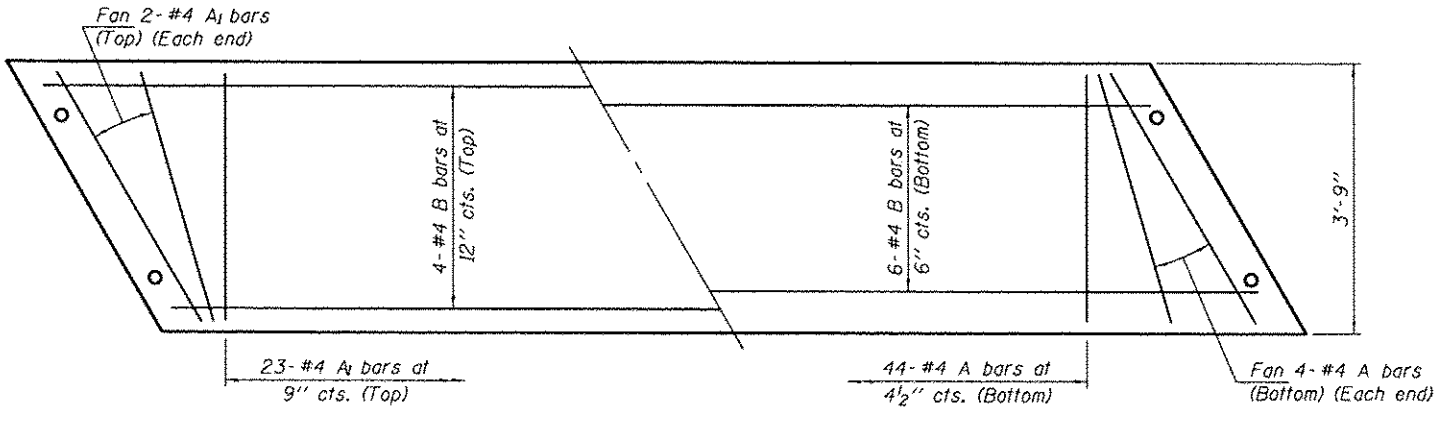
Showing rail post spacing



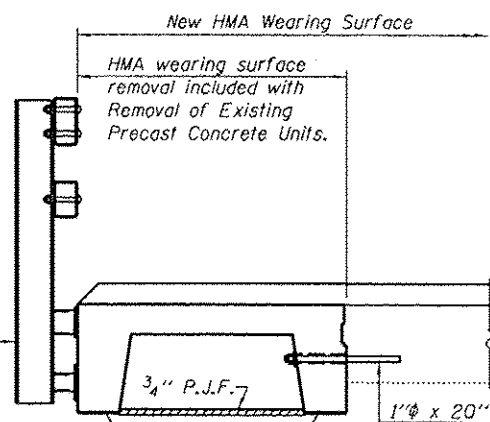
TYPICAL BEAM PLAN



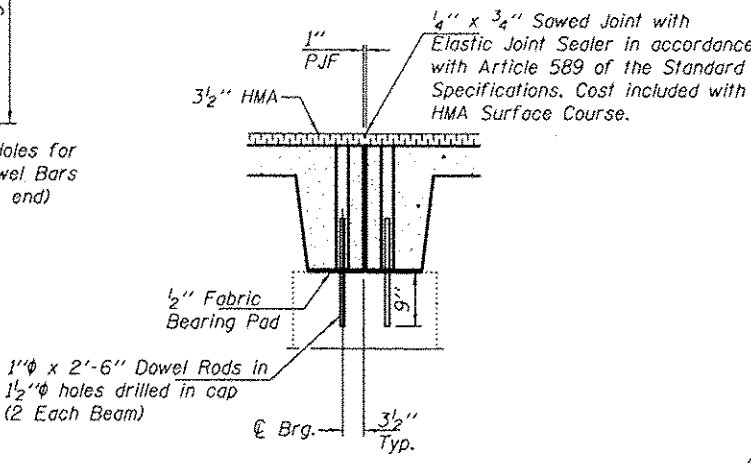
LONGITUDINAL SECTION



SLAB REINFORCEMENT

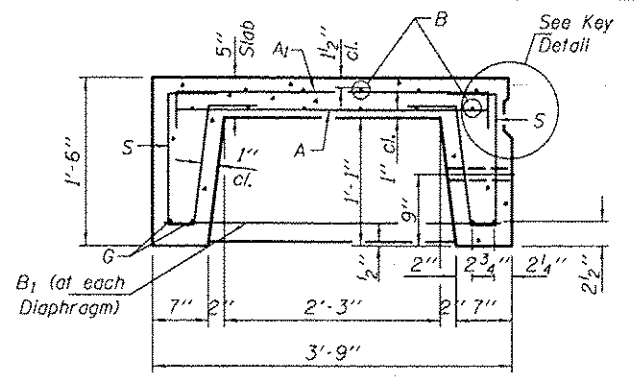


PARTIAL CROSS-SECTION

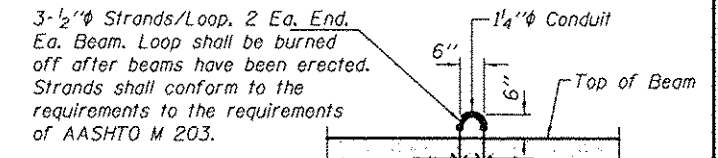


SECTION THRU ABUTMENT
(At Rt. Ls.)

** Existing dowel rods are to be burned off, ground flush, and sealed with epoxy prior to placement of new beams. Cost included in Removal of Existing Precast Concrete Units. After beams have been erected holes shall be drilled into cap and dowel rods placed. Dowel holes shall be filled with non-shrink grout to top of beam and allowed to cure a minimum of 24 hours prior to grouting the shear keys.

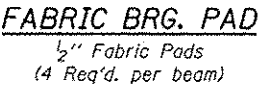


TYPICAL SECTION THRU BEAM



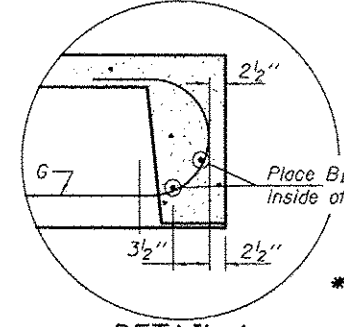
LIFTING LOOP

Approved alternate may be substituted for the above.

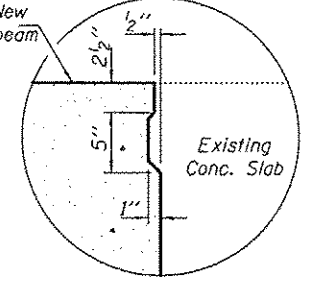


FABRIC BRG. PAD

1/2" Fabric Pads
(4 Req'd. per beam)



DETAIL A



KEY DETAIL

*** BILL OF REINFORCEMENT BARS FOR ONE BEAM**

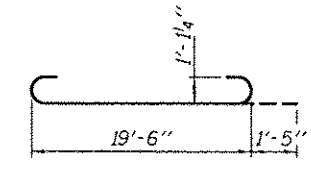
Bar	No.	Size	Length	Shape
A	52	#4	3'-3"	—
A1	27	#4	4'-0"	—
B	10	#4	19'-5"	—
B1	6	#4	4'-1"	—
G	4	#10	22'-4"	—
S	42	#3	3'-4"	U

Note: The surface of the member shall not deviate more than 1/1200 of the full length of the member from a straight line connecting the two end points on the member's surface. (See Special Provision Precast Concrete Structures)

*** ESTIMATED QUANTITIES FOR ONE BEAM**

	CONCRETE CU. YDS.	RE-BARS POUNDS
One Unit	2.5	710

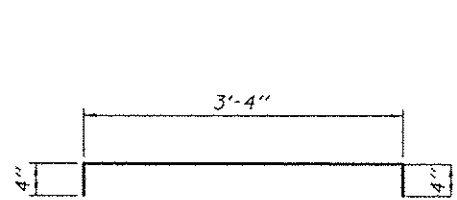
* For information of suppliers of Precast Slab Units only.



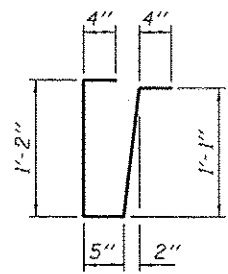
BAR G

Note:

Tack welding of stirrups to bottom longitudinal reinforcement bars will not be permitted except as otherwise authorized in writing by the Engineer.



BAR A1



BAR S

DESIGNED - VHV	EXAMINED - <i>Timothy A. ...</i>	DATE - JANUARY 31, 2013
CHECKED - DAB	ACTING ENGINEER OF STRUCTURAL SERVICES	
DRAWN - Kyle M. Steffen	PASSED - <i>Carl ...</i>	
CHECKED - VHV DAB	ACTING ENGINEER OF BRIDGES AND STRUCTURES	

STATE OF ILLINOIS
DEPARTMENT OF TRANSPORTATION

SUPERSTRUCTURE DETAILS
SN 060-0246
SHEET NO. 4 OF 6 SHEETS

F.A.S. RTE.	SECTION	COUNTY	TOTAL SHEETS	SHEET NO.
775	(54, 58, 68RS-4)	MADISON	44	37
CONTRACT NO. 76F27				

ILLINOIS FED. AID PROJECT