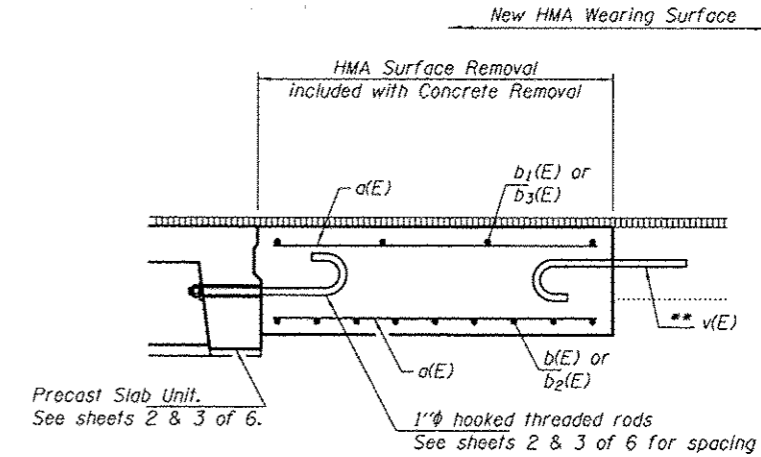
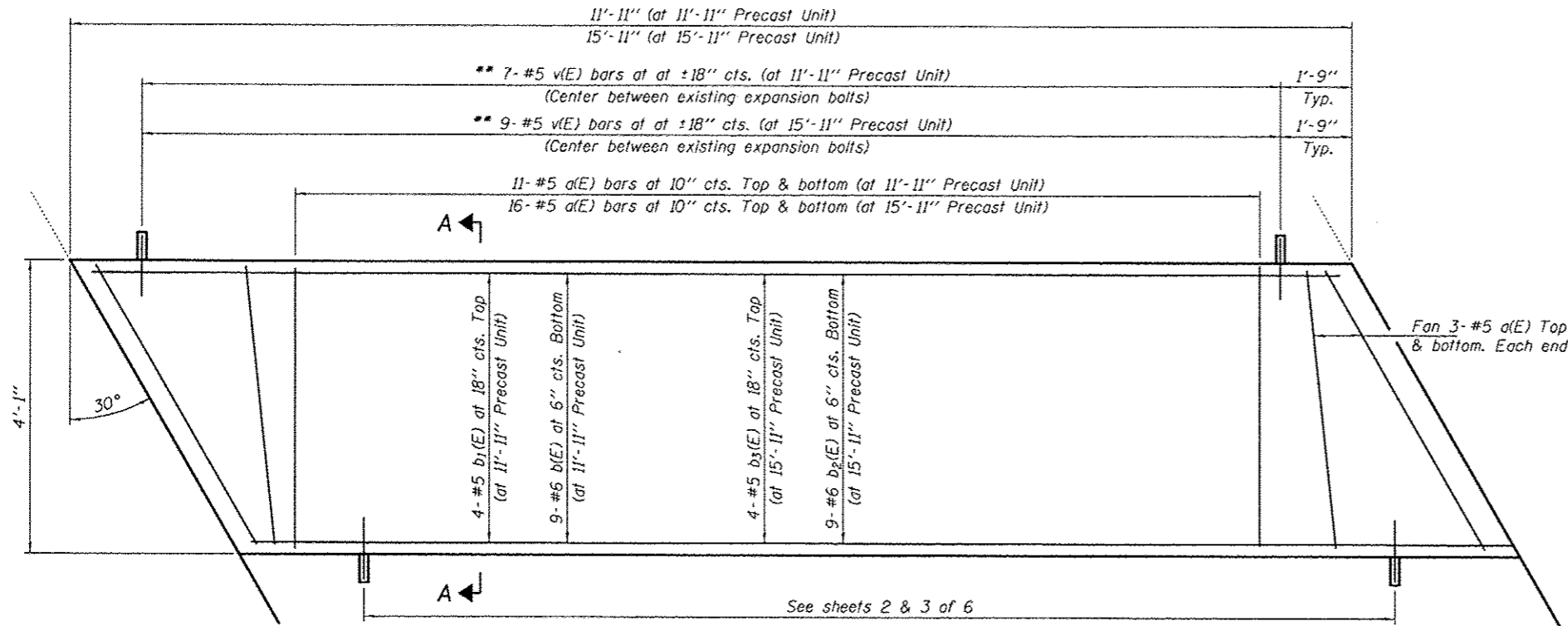


SECTION THRU SLAB

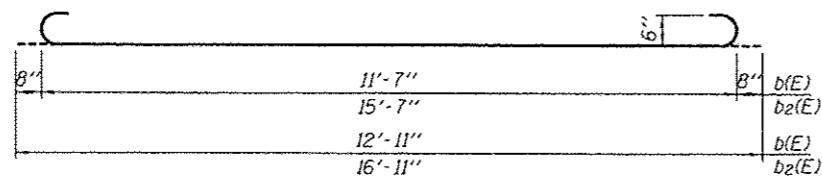


SECTION A-A



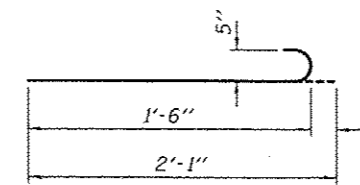
PLAN

Note:
Slab to be poured after
Precast Slab Unit is in place.

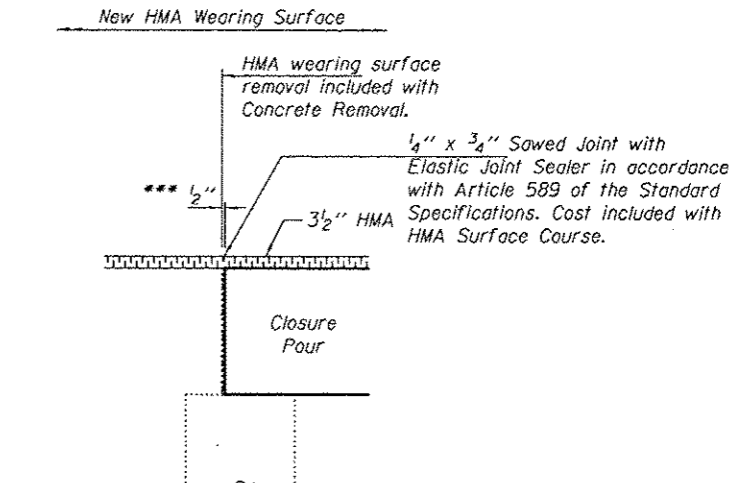


BARS b(E) & b2(E)

** Epoxy grout v(E) bars in 9" min.
holes according to Article 584 of
the Standard Specifications.



BAR v(E)



SECTION THRU APPROACH CAP
(At Rt. Ls)

*** 1/2" joint shall be packed with
a very dry mix of 2:1 sand and
P.C. Mortar. 1/2" dimension may
vary plus or minus to accommodate
tolerance in beam lengths.

FOUR CLOSURE POURS
BILL OF MATERIAL

Bar	No.	Size	Length	Shape
a(E)	156	#5	3'-9"	—
b(E)	18	#6	12'-11"	⌋
b1(E)	8	#5	11'-7"	—
b2(E)	18	#6	16'-11"	⌋
b3(E)	8	#5	15'-7"	—
v(E)	32	#5	2'-1"	⌋
Concrete Removal			Cu. Yd.	10.5
Concrete Superstructure			Cu. Yd.	10.5
Reinforcement Bars, Epoxy Coated			Pound	1710

DESIGNED - VHV
CHECKED - DAB
DRAWN - Kyle M. Stoffen
CHECKED - VHV DAB

EXAMINED
PASSED
DATE - JANUARY 31, 2013

STATE OF ILLINOIS
DEPARTMENT OF TRANSPORTATION

CLOSURE POUR DETAILS
SN 060-0246
SHEET NO. 5 OF 6 SHEETS

F.A.S. RTE. 775
SECTION (54, 58, 68)RS-4
COUNTY MADISON
TOTAL SHEETS 44
SHEET NO. 38
CONTRACT NO. 76F27
ILLINOIS FED. AID PROJECT