

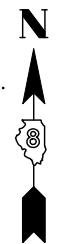
PART OF U.S. SURVEY 627, T2N, R10W, OF THE 3RD PM, ST. CLAIR COUNTY, ILLINOIS

SEE COORDINATE LIST AND BASIS OF COORDINATES AND BEARINGS STATEMENT ON SHEET 2

SEE SHEET 14

EXISTING RIGHT OF WAY LINE

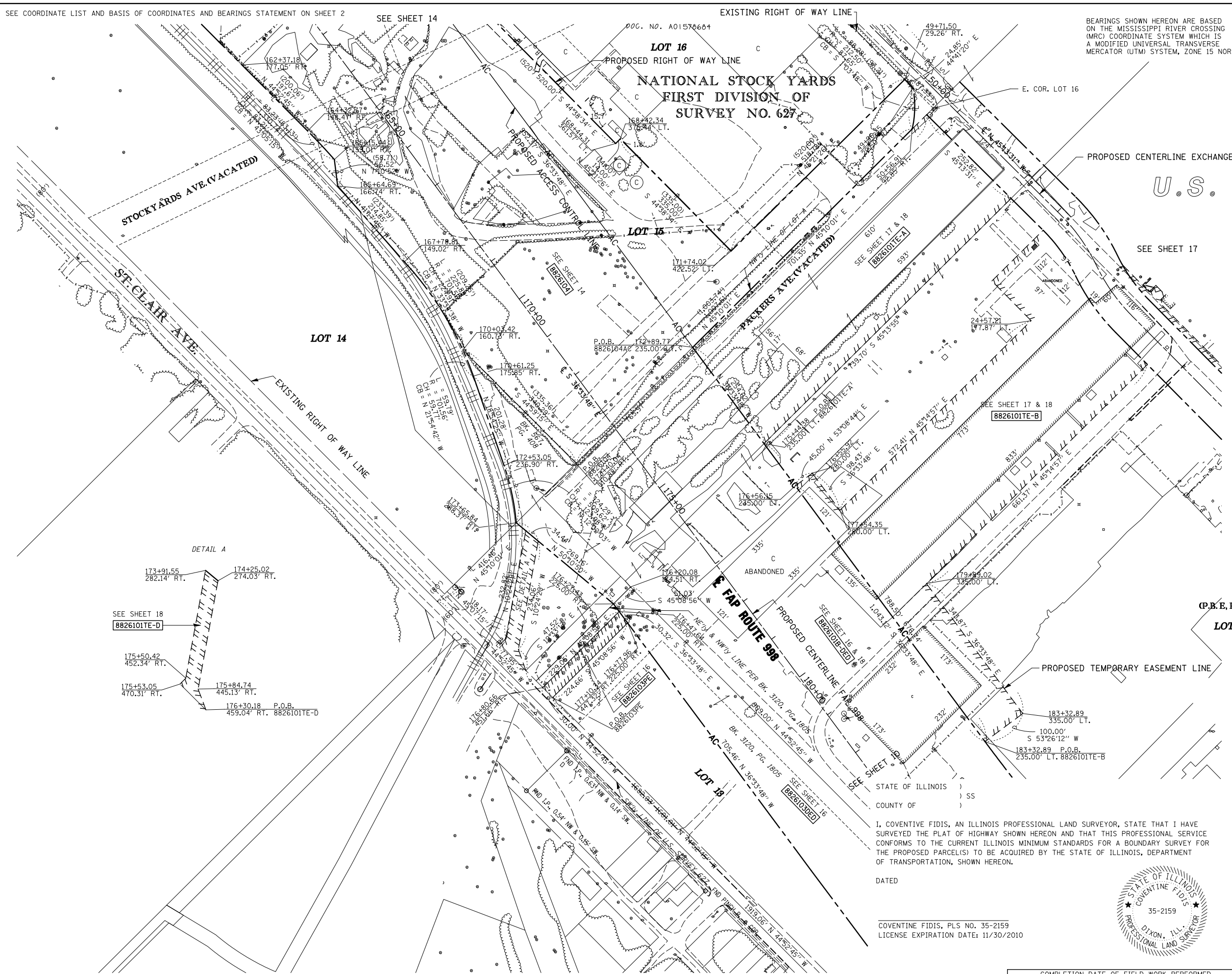
BEARINGS SHOWN HEREON ARE BASED ON THE MISSISSIPPI RIVER CROSSING (MRC) COORDINATE SYSTEM WHICH IS A MODIFIED UNIVERSAL TRANSVERSE MERCATOR (UTM) SYSTEM, ZONE 15 NORTH.



SPACE RESERVED FOR RECORDING OFFICER

**NATIONAL STOCK YARDS
FIRST DIVISION OF
SURVEY NO. 627**

U.S. SURVEY 627



STOCKYARDS AVE. (VACATED)

ST. CLAIR AVE.

LOT 14

LOT 15

LOT 16

PROPOSED CENTERLINE EXCHANGE AVE.

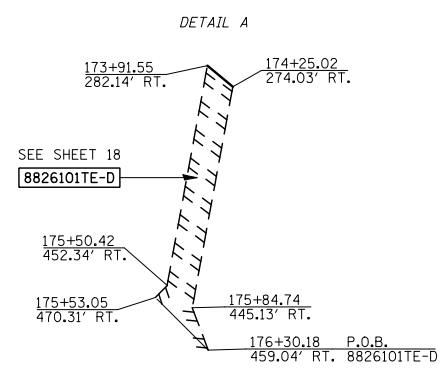
SEE SHEET 17

8826101E-A

8826101E-B

(P.B.E, PG. 14)

LOT A



SEE SHEET 18
8826101E-D

NOTE:

EXISTING R.O.W. OF ST. CLAIR AVE. ESTABLISHED PER BK OF DEEDS Y-5, PG. 97 & PB H, PG. 34

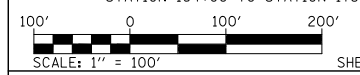


AMERICAN
SURVEYING & ENGINEERING, P.C.
841 N. Galena Ave. Dixon, IL 61021
815-288-6231
ILLINOIS PROFESSIONAL DESIGN
FIRM NO. 184-003192

ILLINOIS DEPARTMENT OF TRANSPORTATION
PLAT OF HIGHWAYS

FAP ROUTE 998
SECTION 82-1K
ST. CLAIR COUNTY
JOB NO. R-98-026-08

STATION 164+00 TO STATION 178+00



ILLINOIS DEPARTMENT OF TRANSPORTATION
DIVISION OF HIGHWAYS/REGION 5/DISTRICT 8
1102 EASTPORT PLAZA DRIVE
COLLINSVILLE, ILLINOIS 62234-6198

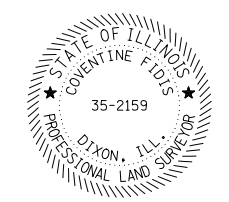
F.A.P. RTE.	SECTION	COUNTY	TOTAL SHEETS	SHEET NO.
	82-2-1LS	ST. CLAIR	71	64

CONTRACT NO. 76F39

I, COVENTINE FIDIS, AN ILLINOIS PROFESSIONAL LAND SURVEYOR, STATE THAT I HAVE SURVEYED THE PLAT OF HIGHWAY SHOWN HEREON AND THAT THIS PROFESSIONAL SERVICE CONFORMS TO THE CURRENT ILLINOIS MINIMUM STANDARDS FOR A BOUNDARY SURVEY FOR THE PROPOSED PARCEL(S) TO BE ACQUIRED BY THE STATE OF ILLINOIS, DEPARTMENT OF TRANSPORTATION, SHOWN HEREON.

DATED

COVENTINE FIDIS, PLS NO. 35-2159
LICENSE EXPIRATION DATE: 11/30/2010



COMPLETION DATE OF FIELD WORK PERFORMED	
LAND SURVEY:	ROW STAKING: