

**PIER 2  
BILL OF MATERIAL**

Bar	No.	Size	Length	Shape
$h_4(E)$	112	#5	22'-3"	—
$p_1(E)$	14	#7	21'-3"	—
$s_2(E)$	550	#4	3'-3"	⌋
$s_3(E)$	38	#4	10'-5"	□
$u_1(E)$	56	#5	9'-4"	⌋
$u_2(E)$	6	#5	7'-8"	⌋
$v(E)$	44	#5	3'-8"	—
$v_9(E)$	3	#5	30'-0"	—
$v_{10}(E)$	44	#5	29'-2"	—
$v_{11}(E)$	47	#5	28'-3"	—
Cofferdam Excavation	Cu. Yd.		30	
Concrete Structures	Cu. Yd.		124.0	
Reinforcement Bars, Epoxy Coated	Pound		8260	
Cofferdam (Type 1) (Location-1)	Each		1	
Test Pile, Steel HP14x73	Each		1	
Furnishing Steel Piles, HP14x73	Foot		702	
Driving Piles	Foot		702	
Bar Splicers	Each		63	

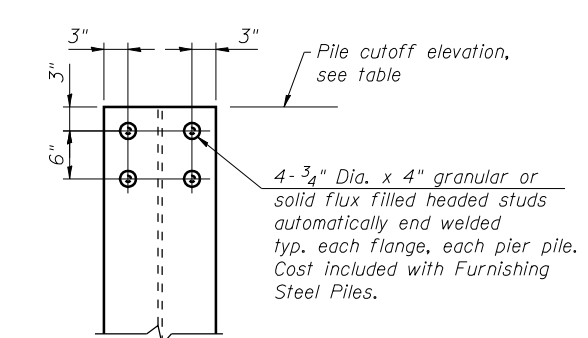
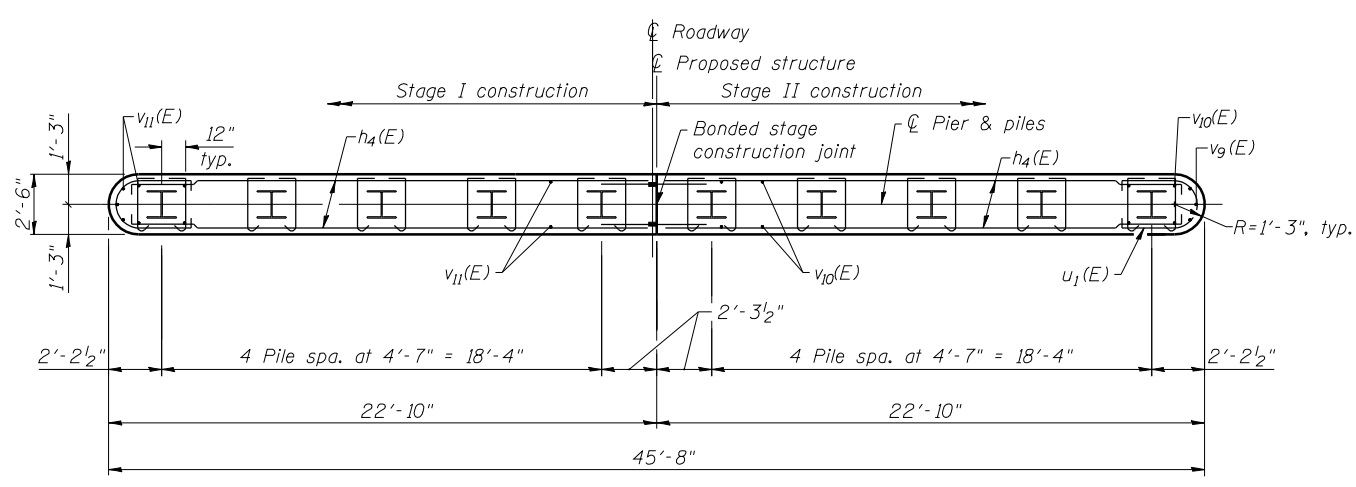
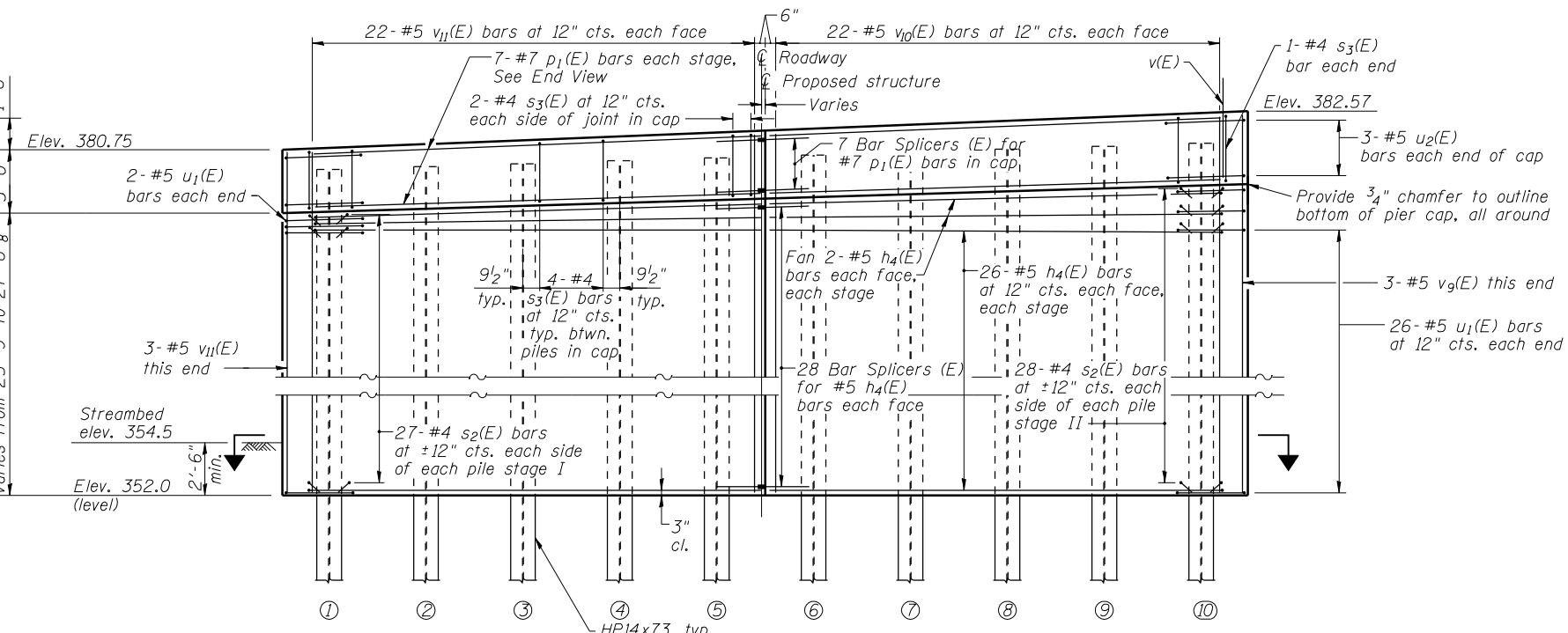
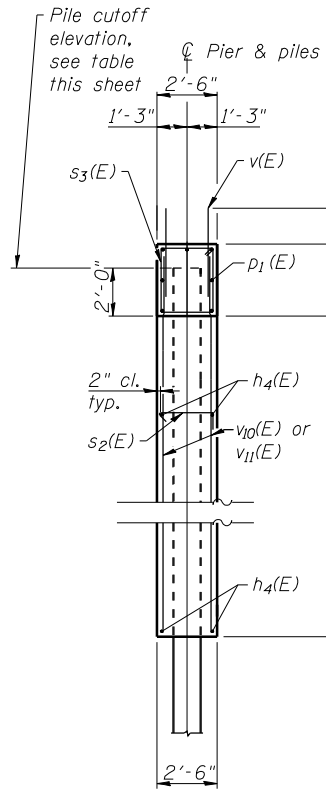
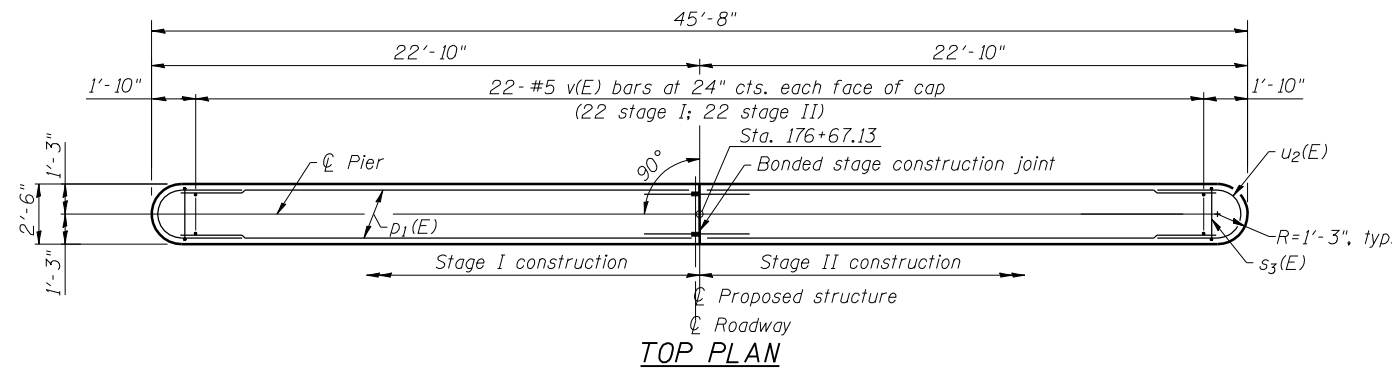
For details of piles and Concrete Encasement, see sheet 20 of 23.  
For details of Bar Splicers, see sheet 21 of 23.  
See sheet 15 of 23 for bar bending details.

**PILE DATA**

Type: Steel HP14x73  
Nominal Required Bearing: 578 kips  
Factored Resistance Available: 313 kips  
Estimated Length: 78'  
No. of Production Piles: 9  
No. of Test Piles: 1

**PILE CUTOFF TABLE**

Pile No.	Cutoff Elevation
①	379.84
②	380.02
③	380.20
④	380.39
⑤	380.56
⑥	380.75
⑦	380.93
⑧	381.12
⑨	381.30
⑩	381.48



USER NAME = has	DESIGNED - ELH 08/12	REVISED -
ESCA PROJECT NO. 988.11	CHECKED - RDP 10/12	REVISED -
PLOT SCALE = 1/8" = 1' / IN.	DRAWN - DWH/HAS 08/12	REVISED -
PLOT DATE = 10/31/2012 7:16:40 AM	CHECKED - ELH 10/12	REVISED -

**STATE OF ILLINOIS  
DEPARTMENT OF TRANSPORTATION**

**PIER 2  
STRUCTURE NO. 097-0078**  
SHEET NO. 16 OF 23 SHEETS

F.A.P. RTE.	SECTION	COUNTY	TOTAL SHEETS	SHEET NO.
332	4B-1	WHITE	70	37
			CONTRACT NO. 78154	
ILLINOIS FED. AID PROJECT AID				