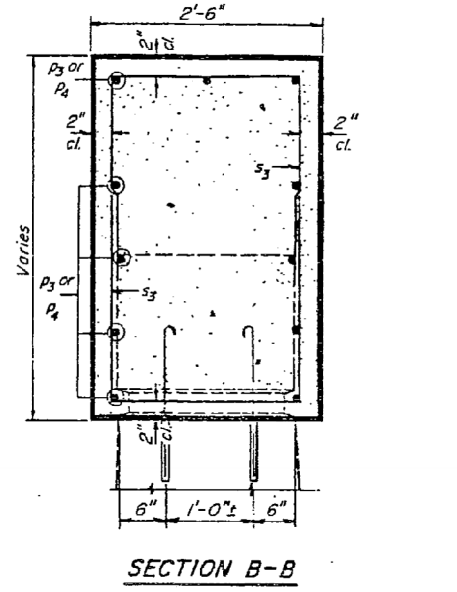
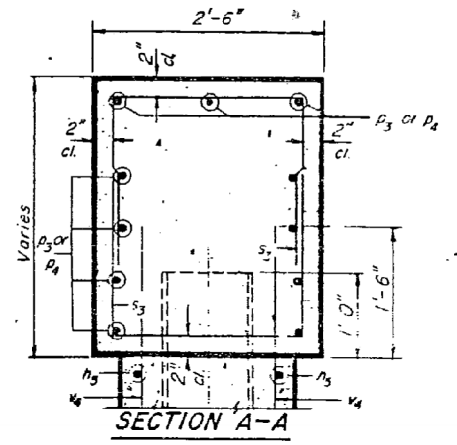
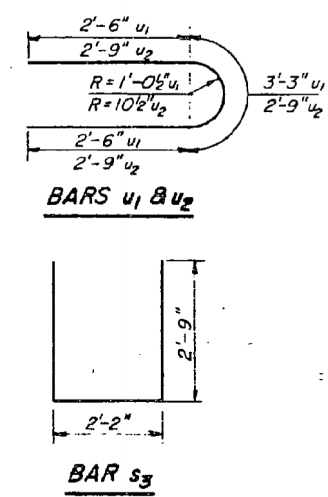
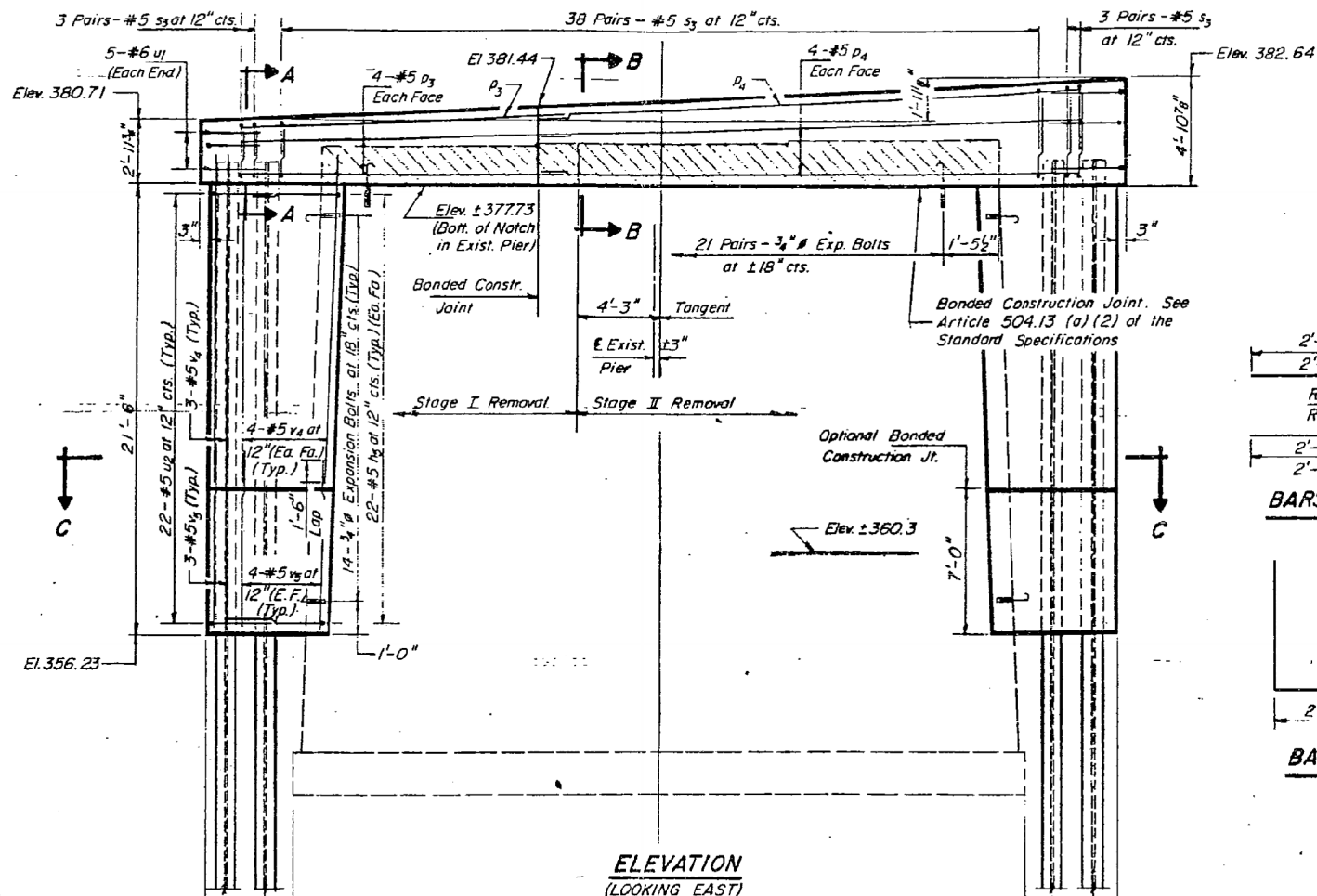
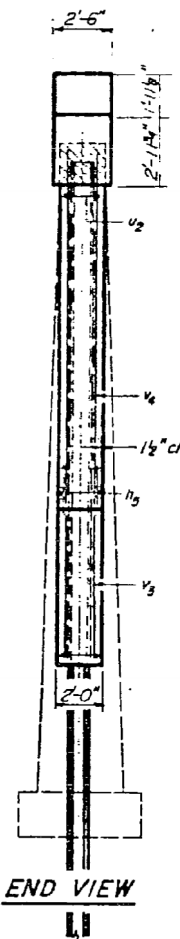
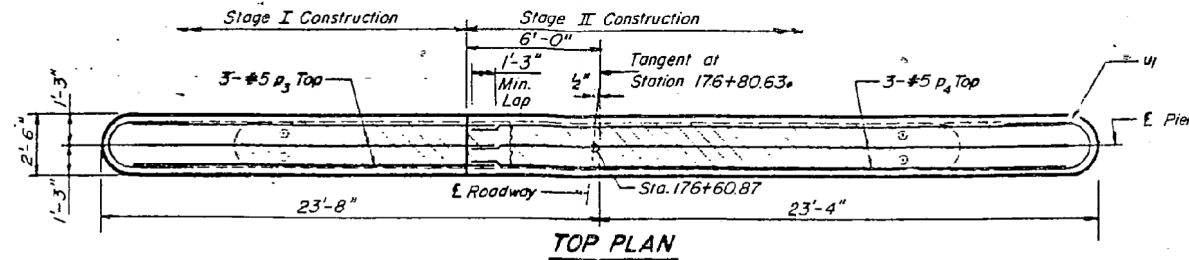


incorporated into new construction.
 Hatched area indicates concrete removal.
 Space reinforcement in cap to miss dowel rods.



PILE DATA
 Type: Steel (HP 10 x 42)
 Capacity: Drive to Refusal
 Est. Length: 71'-0"
 No. Required: 4

DESIGNED	<i>John A. M...</i>
CHECKED	<i>K...</i>
DRAWN	<i>P. B...</i>
CHECKED	<i>K...</i>

EXAMINED	<i>[Signature]</i>
PASSED	
APPROVED	

BILL OF MATERIAL

BAR	NO.	SIZE	LENGTH	SHAPE
h5	88	#5	4'-6"	—
p3	11	#5	17'-9"	—
p4	11	#5	28'-0"	—
s3	88	#5	7'-8"	□
u1	10	#6	8'-3"	U
u2	44	#5	8'-3"	U
v4	22	#5	16'-0"	—
v5	22	#5	8'-6"	—
Class X Concrete			Cu. Yds.	375
Reinforcement Bars			Pounds	2710
Expansion Bolts (3/4" #)			Each	70
Steel Piles (HP 10 x 42)			Lin. Ft.	284
Concrete Removal			Cu. Yds.	50

PIER #1
F.A. RT. B2 SECTION 4 BR
WHITE COUNTY
STA. 176+80.63

FOR INFORMATION ONLY

STATE OF ILLINOIS
 DEPARTMENT OF TRANSPORTATION

EXISTING STRUCTURE PLANS - FOR INFORMATION ONLY
 STRUCTURE NO. 097-0007

SCALE: SHEET NO. 11 OF 12 SHEETS STA. TO STA.

F.A.P. RTE.	SECTION	COUNTY	TOTAL SHEETS	SHEET NO.
332	4B-1	WHITE	70	55
FED. ROAD DIST. NO.			ILLINOIS FED. AID PROJECT AID	
			CONTRACT NO. 78154	



USER NAME = has	DESIGNED - ELH	REVISED -
ESCA PROJECT NO. 988.11	DRAWN - HAS	REVISED -
PLOT SCALE = 0.1667' / IN.	CHECKED - RDP	REVISED -
PLOT DATE = 10/31/2012 7:24:19 AM	DATE - 04/12	REVISED -