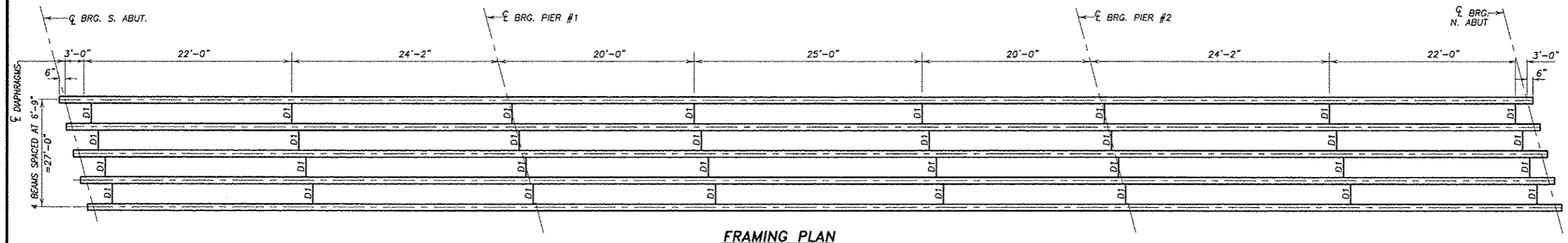
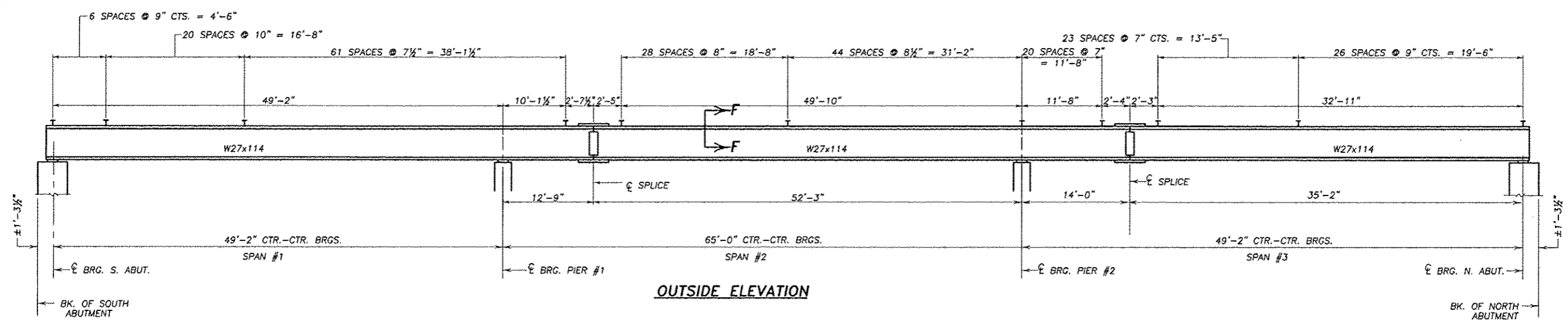


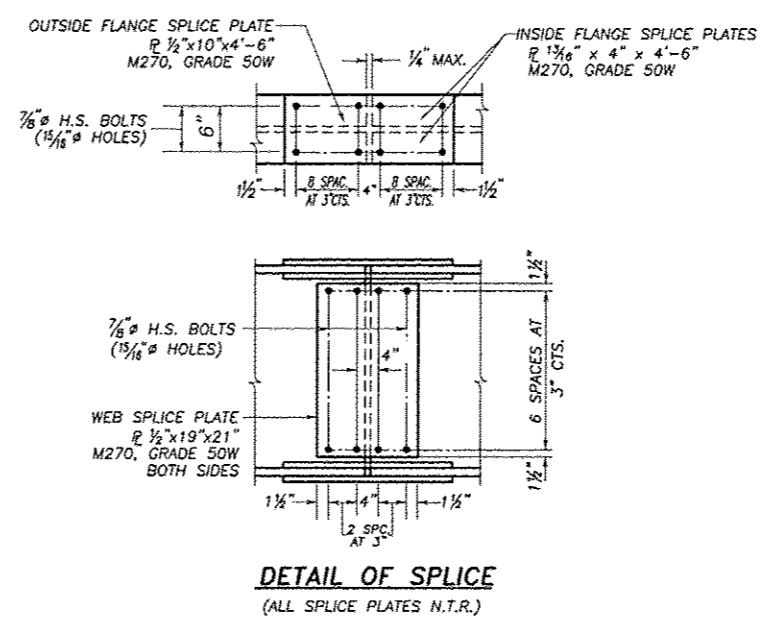
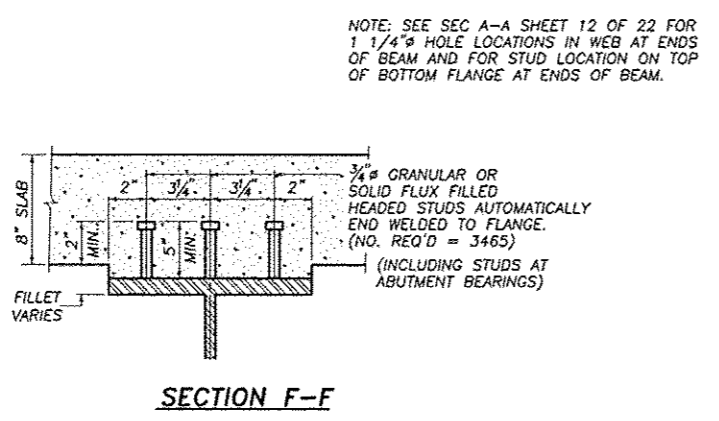
FAS ROUTE NO	SEC	COUNTY	TOTAL SHEETS	SHEET NO
188	*	LEE	22	13
ILLINOIS PROJECT BRS-188(121)				
* 08-00303-00-BR				



FRAMING PLAN



OUTSIDE ELEVATION



FRAMING PLAN
SECTION 08-00303-00-BR
F.A.S. 188 (INDIAN HEAD RD.)
LEE COUNTY
S.N. 052-3413

DESIGNED:	DB
DRAWN:	BEH
CHECKED:	
DATE:	

SCALE: 1" = 10'

NO.	DATE	REVISION

DESIGNED BY: DB
DRAWN BY: BEH
CHECKED BY:
DATE:
PROJECT:
SHEET NO: 13 OF 22

wendler
wendler engineering services, inc.
GROUNDING ENGINEERING SOLUTIONS
engineers - surveyors - scientists
www.wendlergs.com P.O. BOX 2261
1840 Professional Design Firm No. 104-000043

FRAMING PLAN
OF
INDIAN HEAD ROAD BRIDGE REPLACEMENT
FOR
LEE COUNTY HIGHWAY DEPARTMENT

SHEET TITLE	FRAMING PLAN
JOB NUMBER	2080334
DATE	12/13/2012
SHEET NO.	13 of 22