

Print modified for clarity.

2/22/13

TWP.	SEC.	COUNTY	TOTAL SHEETS	SHEET NO.
61	*	DEKALB	18	7

ILLINOIS PROJECT BRGS-0037(051)
 * 08-18121-00-BR
 CONTRACT NO. 07467

SCALE: 1" = 10'

REVISION	DATE

DESIGNED BY	RLR
DRAWN BY	BDS
CHECKED BY	
DATE	

wendler
 GROUND-BREAKING SOLUTIONS
 engineers - surveyors - scientists
 www.wendlergs.com ph: 815.298.2281
 Illinois Professional Design Firm No. 191-000048

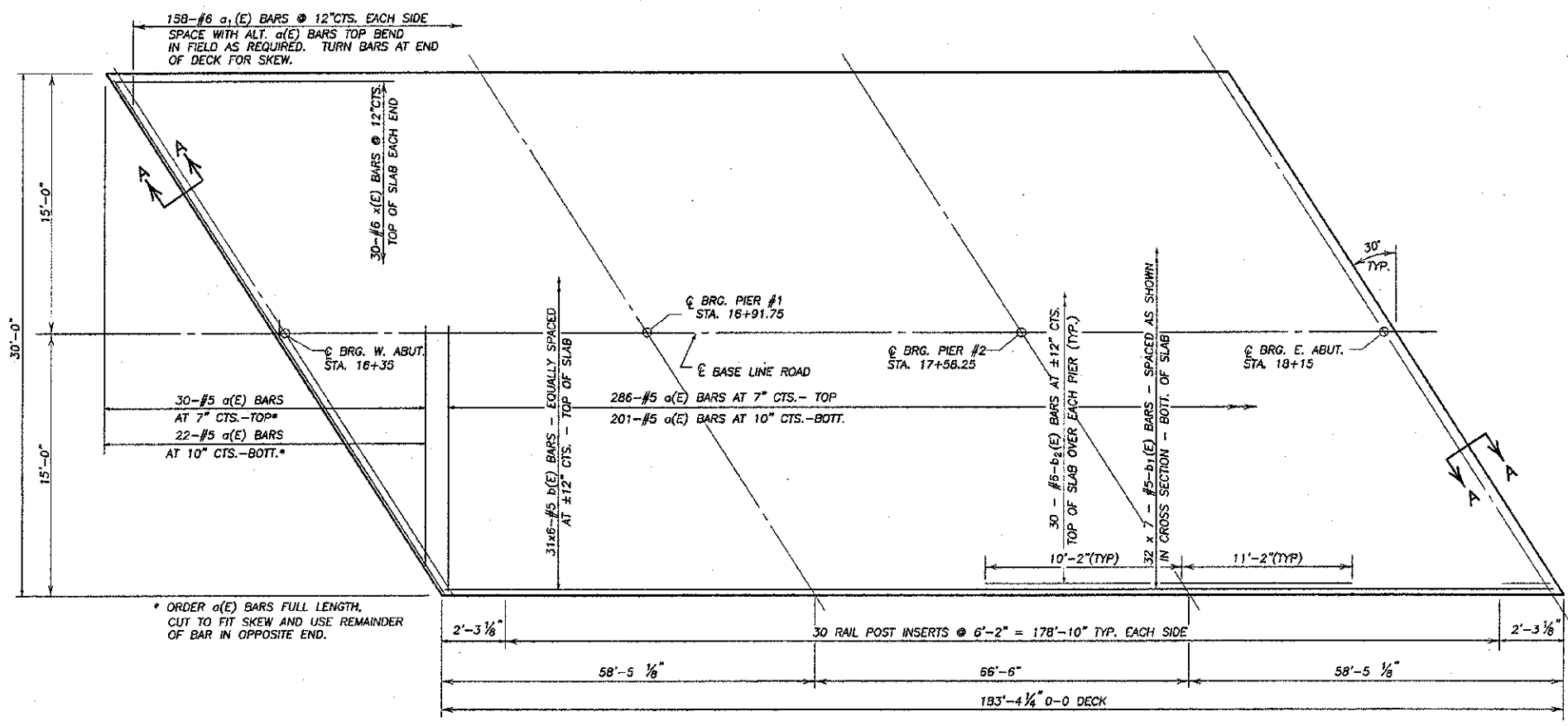
SUPERSTRUCTURE OF
 BASE LINE ROAD BRIDGE PROJECT
 FOR
 DEKALB COUNTY HIGHWAY

SHEET TITLE
 SUPER
 STRUCTURE

JOB NUMBER
 2080382

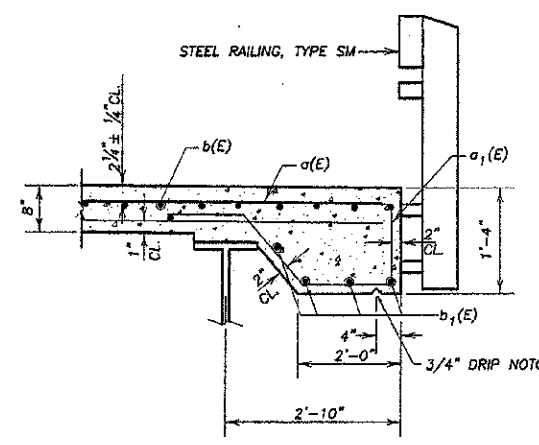
DATE
 12/14/2012

SHEET NO.
 7 of 18

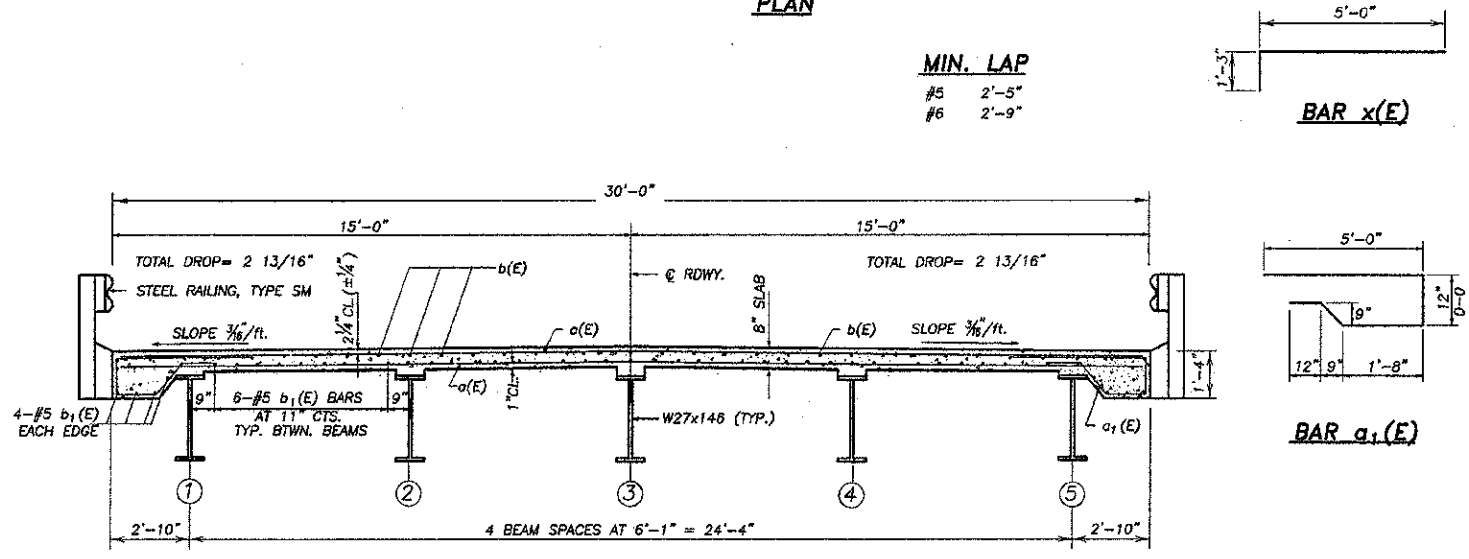


* ORDER a(E) BARS FULL LENGTH, CUT TO FIT SKEW AND USE REMAINDER OF BAR IN OPPOSITE END.

PLAN



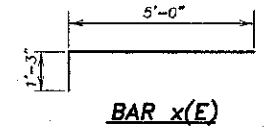
SECTION THRU EDGE OF SLAB



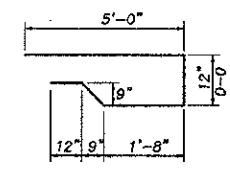
CROSS SECTION (LOOKING EAST)

MIN. LAP

#5	2'-5"
#6	2'-9"



BAR x(E)



BAR a1(E)

DESIGNED:	RLR
DRAWN:	BDS
CHECKED:	
DATE:	

SUPERSTRUCTURE SECTION 08-18121-00-BR
 DEKALB COUNTY
 S.N. 019-4500